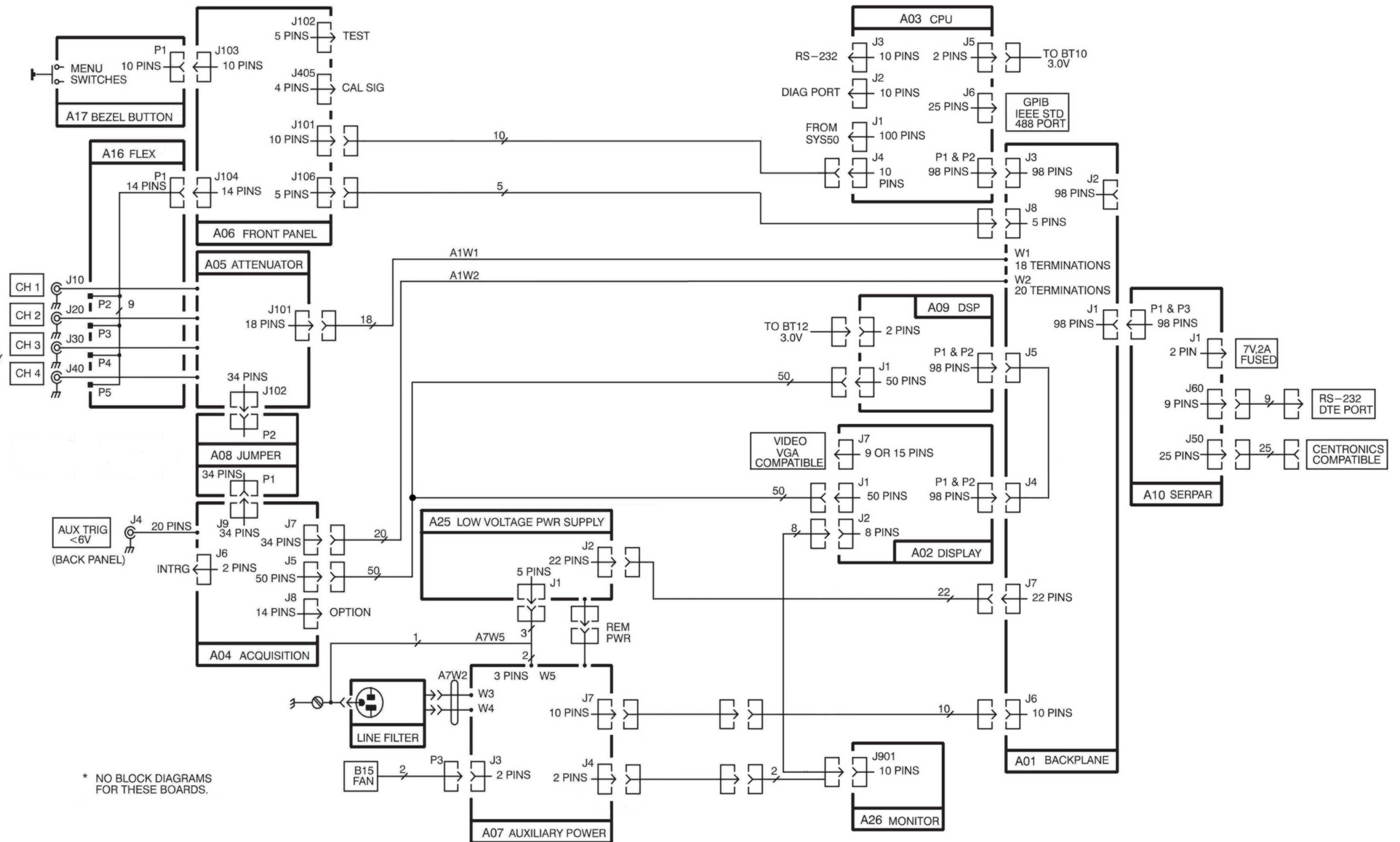
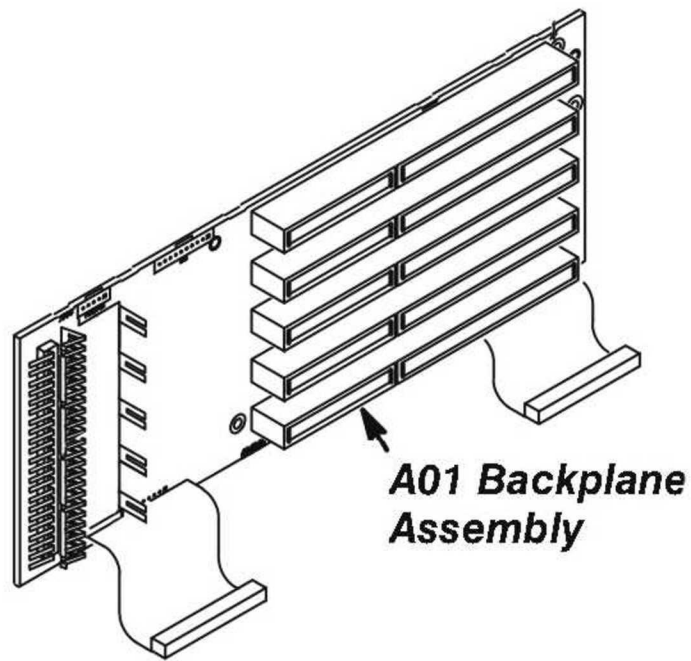


TDS 420 &
TDS 460 ONLY



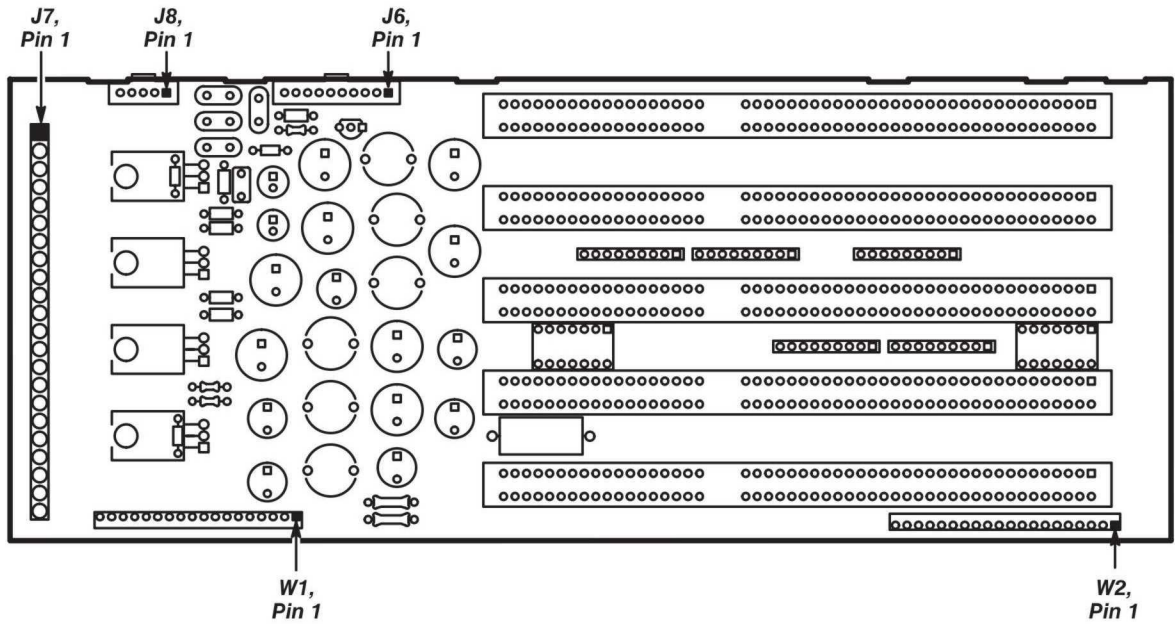
* NO BLOCK DIAGRAMS FOR THESE BOARDS.

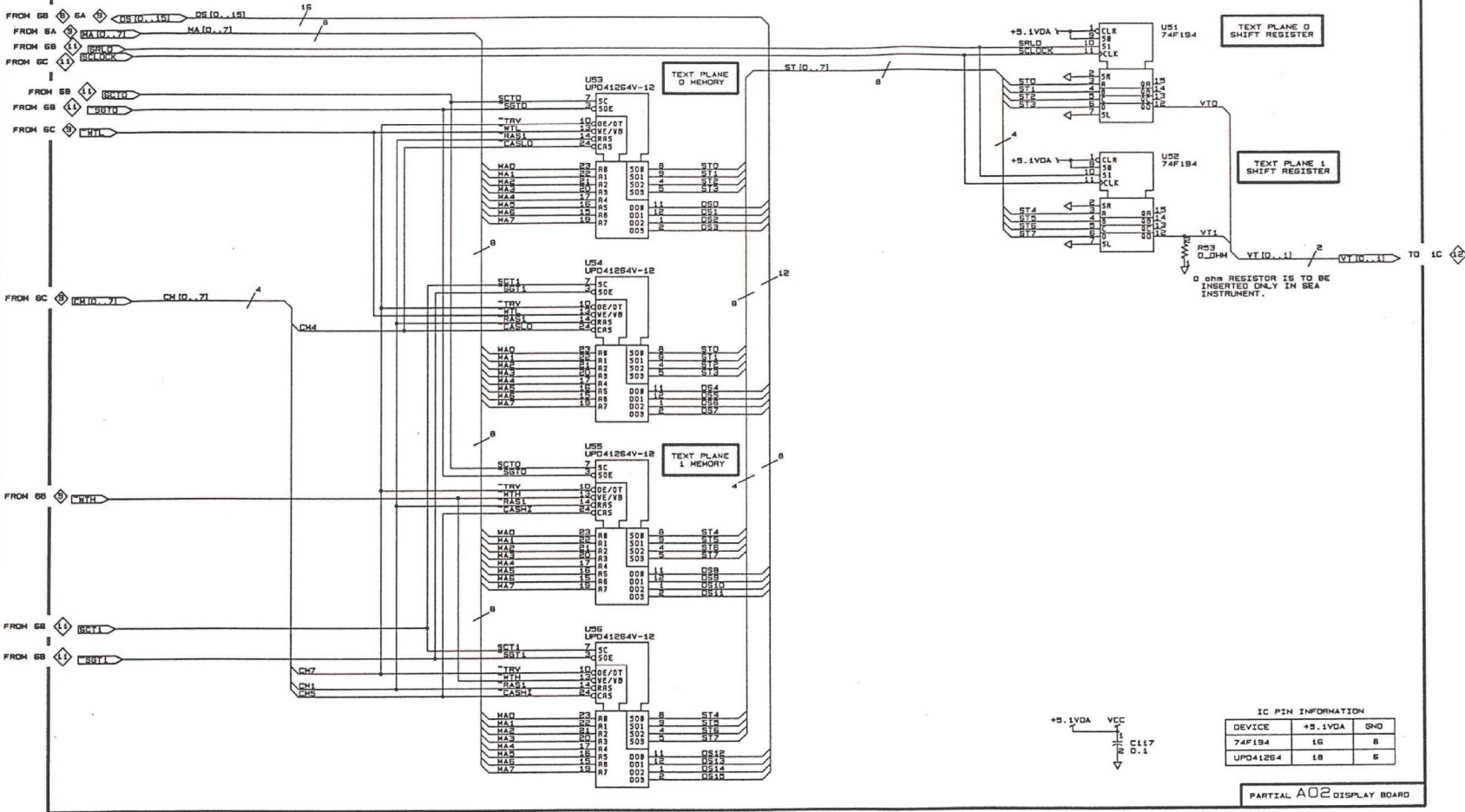


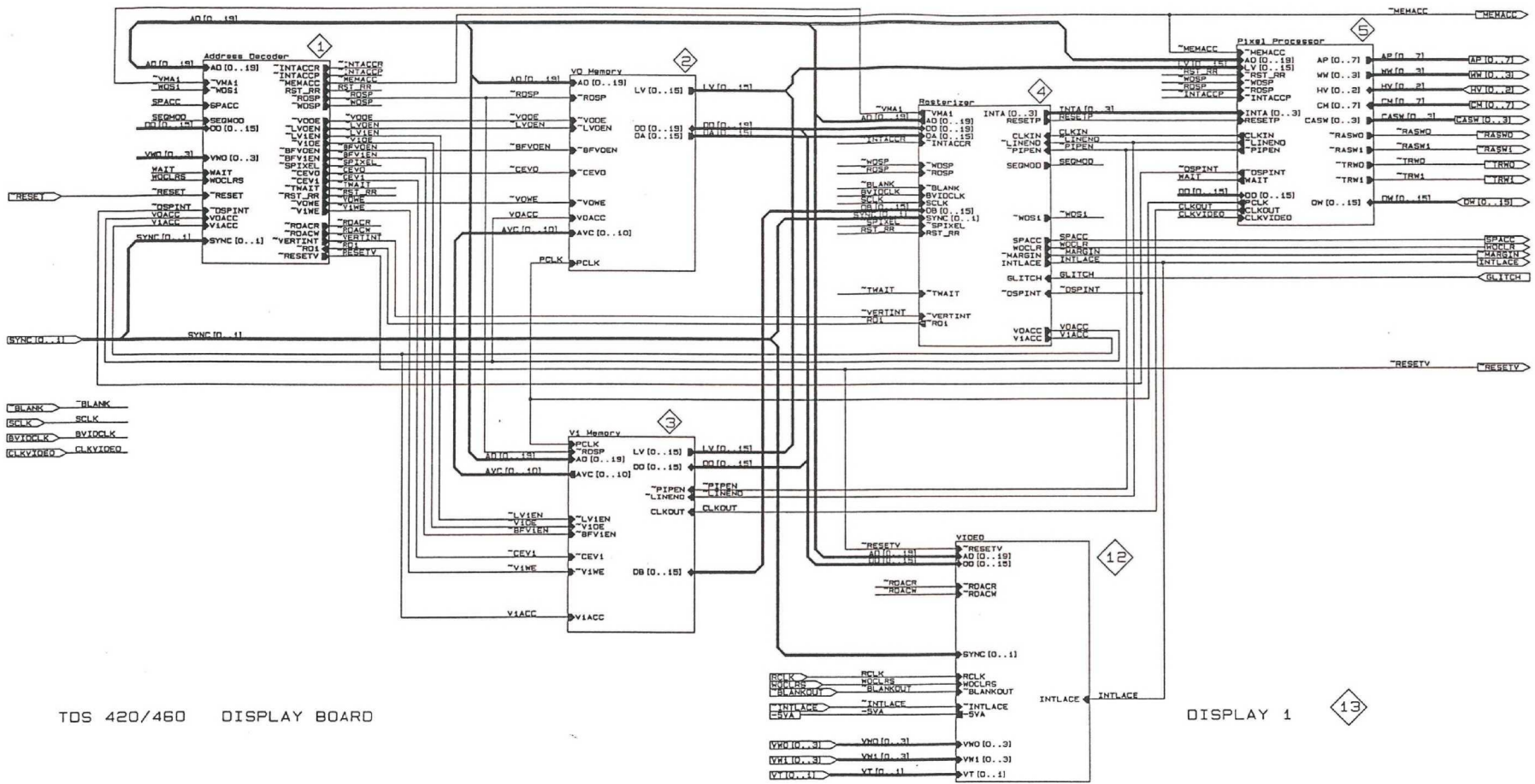
J7 Voltages
 Pins 1,2 -15V
 Pin 7 -6.4V
 Pins 8,9 +15V
 Pins 19,19 +5.1V

J8 Voltages (front panel)
 Pin1 +15V
 Pin2 +5V
 Pin 4 +5V
 Pin 5 +15V

Regulator Voltages
 U1 pin3 -12V
 U2 pin3 +12V
 U3 pin2 +6.3V
 U4 pin3 -5V







13

14



F01 FIDUCIAL-B



F02 FIDUCIAL-B



F03 FIDUCIAL-B



F04 RFIUCIAL



F05 RFIUCIAL



F06 RFIUCIAL

Note:

Place the filter as close to VAA pins as possible.
Separate analog power plane as shown

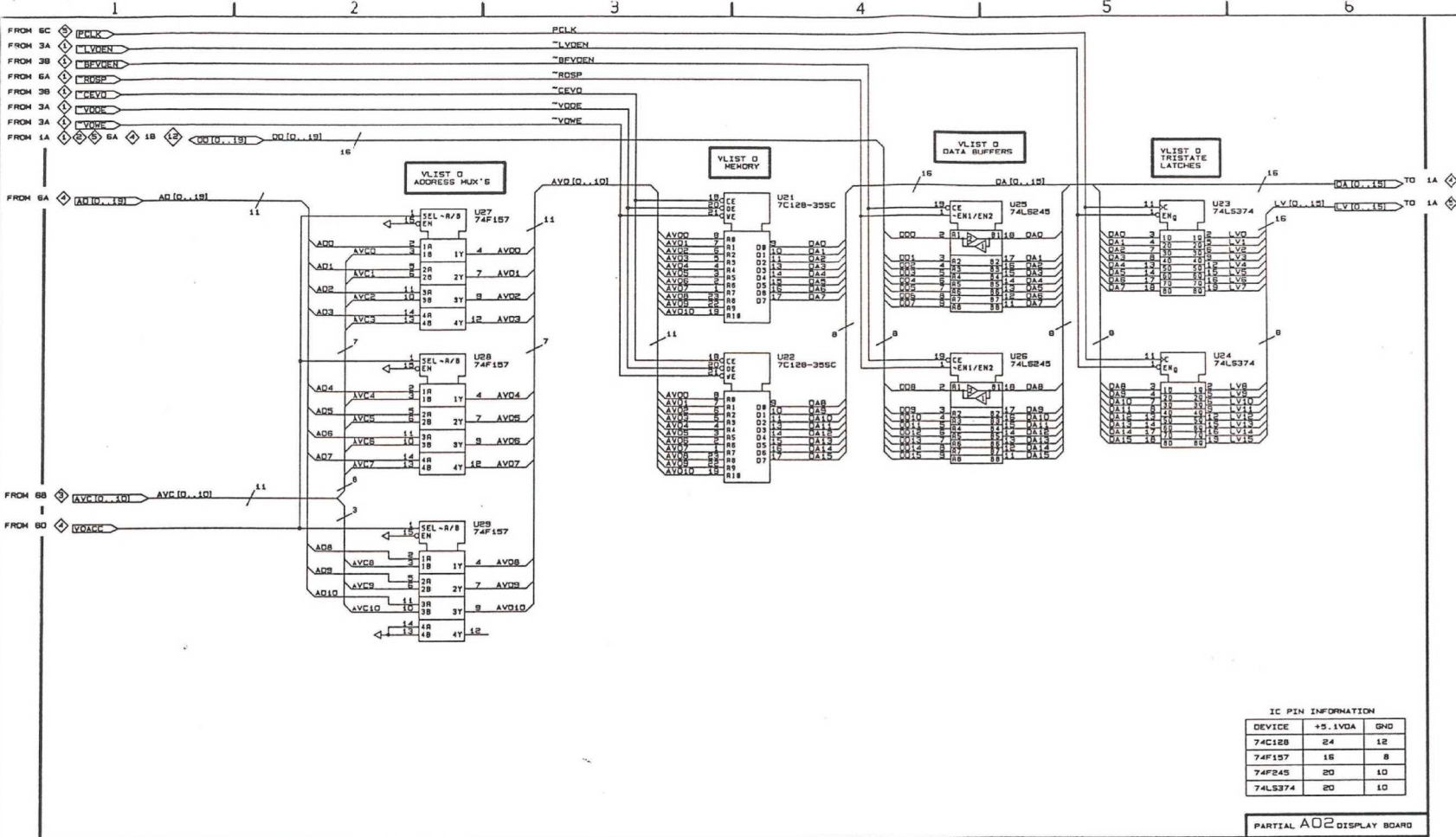
To be connected to PCB power plane at a single point through a ferrite bead. This bead is to be within 3 inches of U10

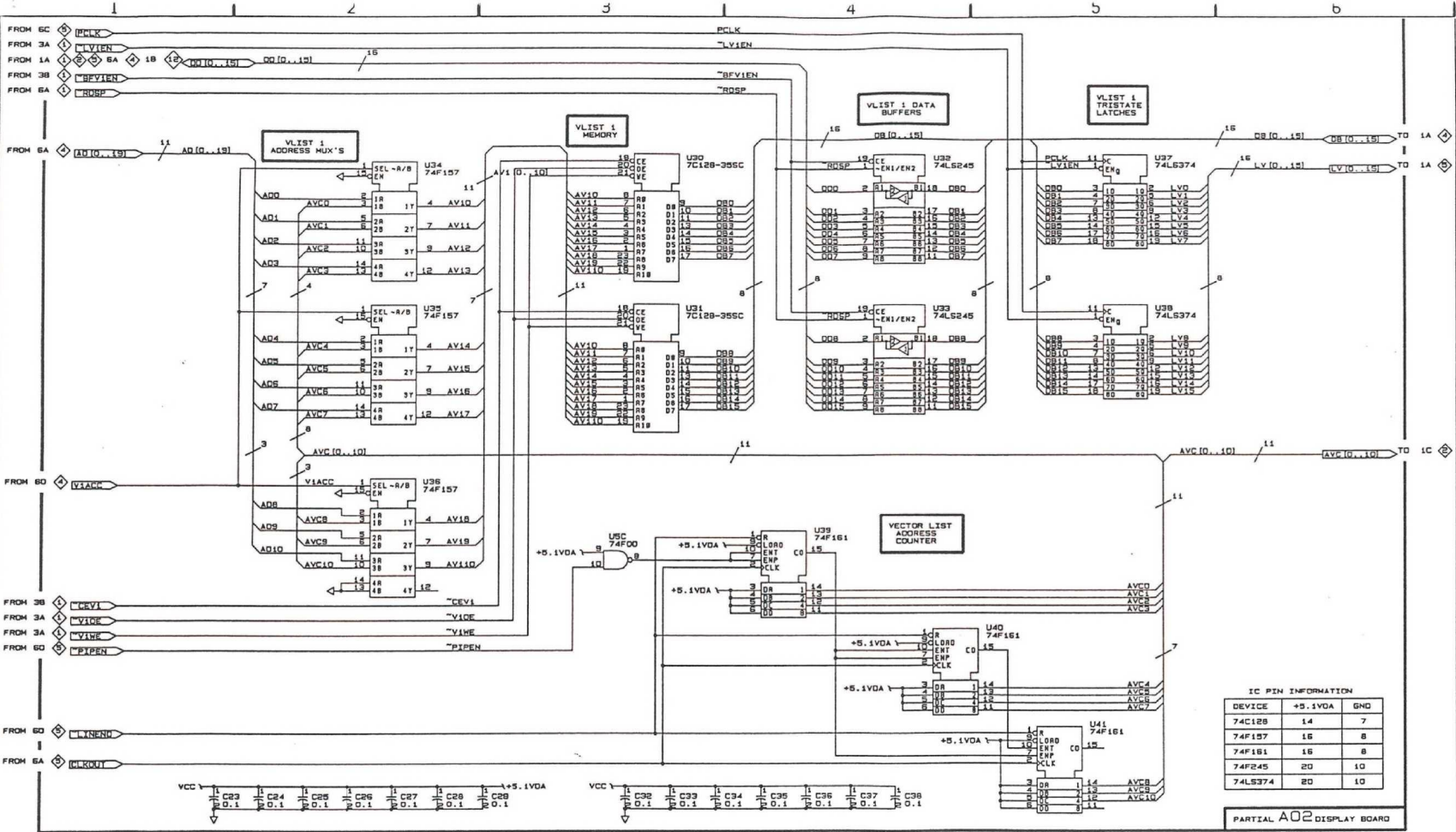
Ground plane to encompass all U10 ground pins. VREF and filter circuitry, analog output traces and all the digital traces leading to U10.

Place a 0.1uF cap near each group of VAA pins of U10.

Place VRI close to pin 31 of U10

15

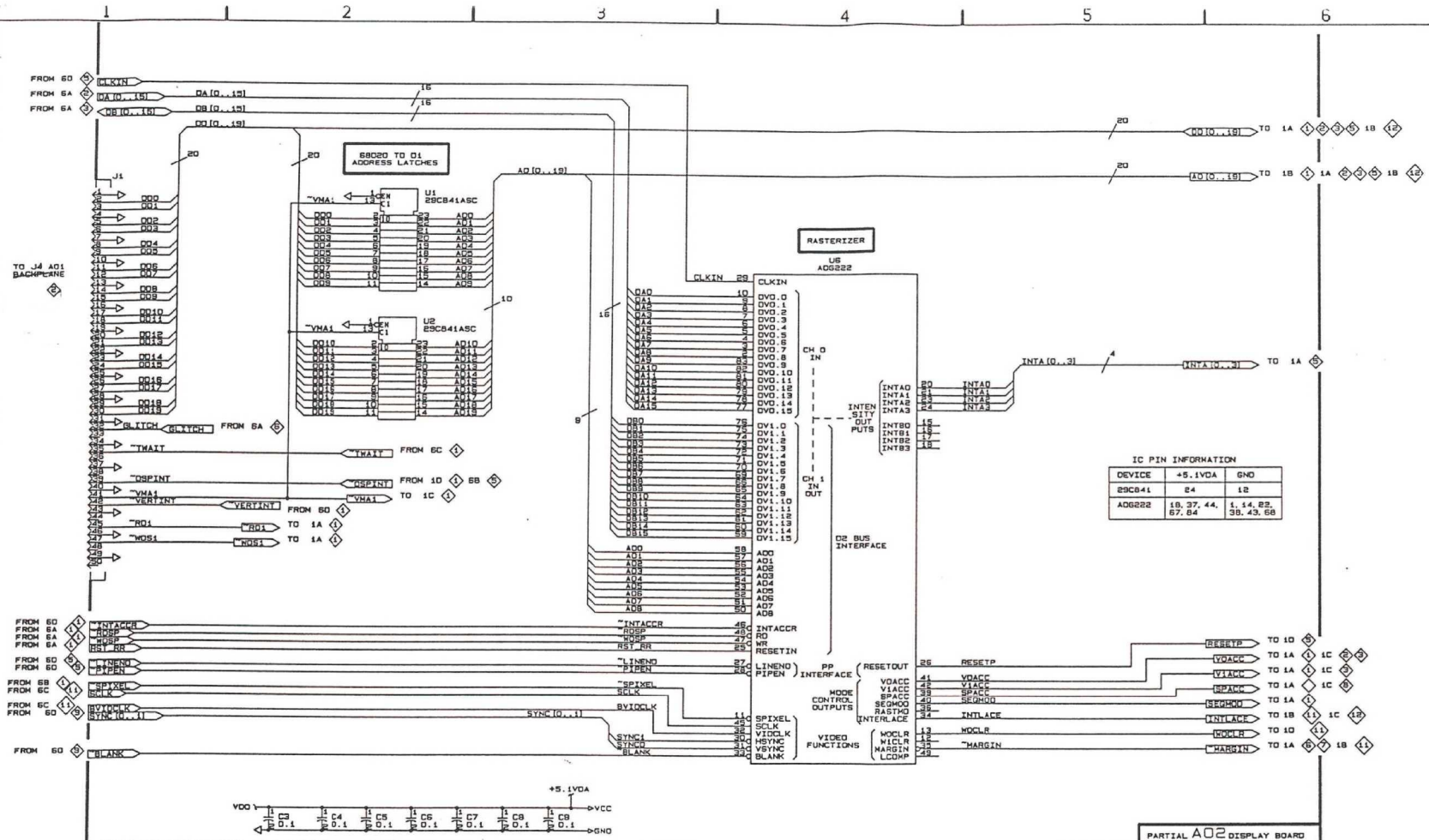




IC PIN INFORMATION

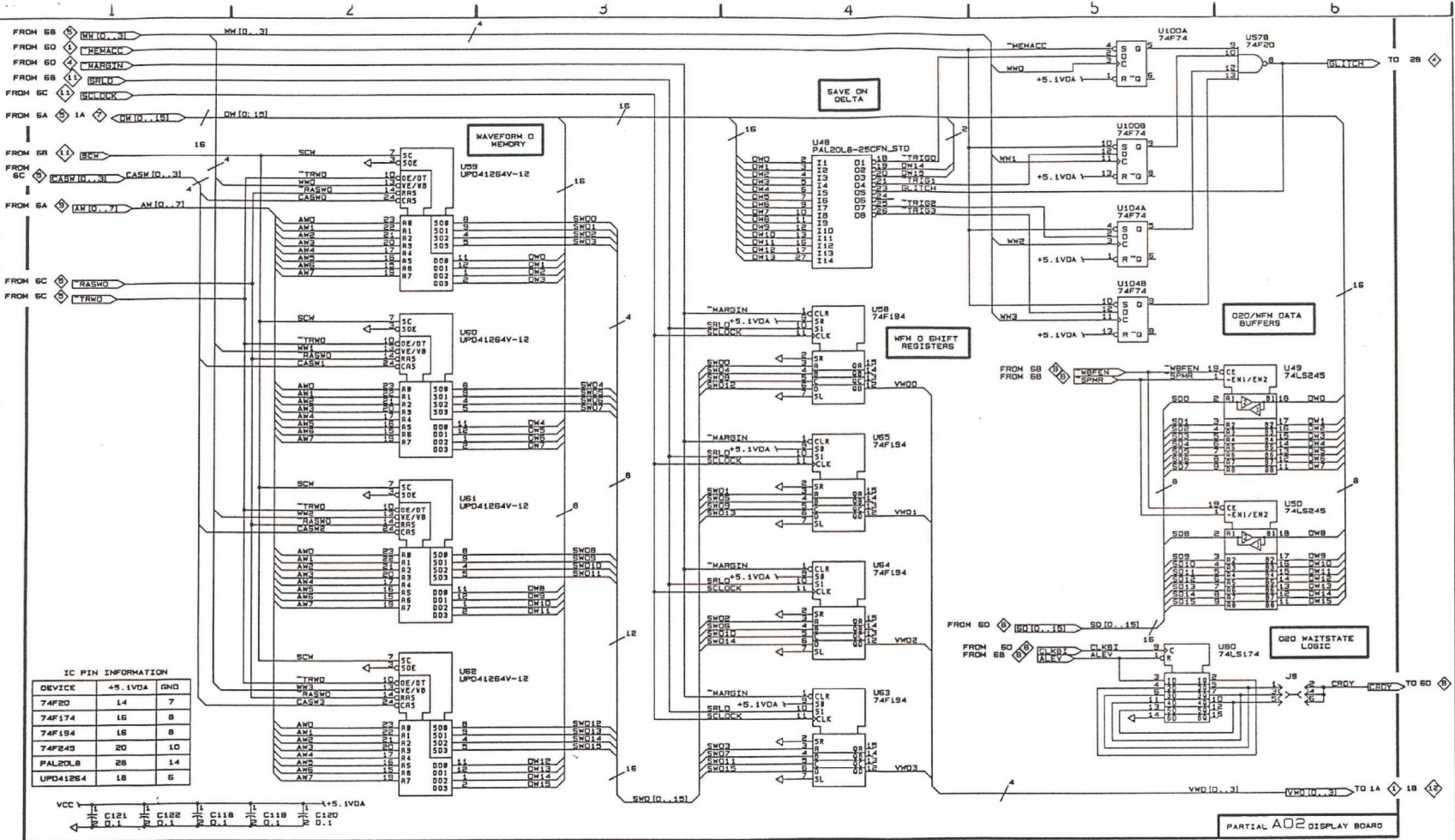
DEVICE	+5.1VDA	GND
74C128	14	7
74F157	16	8
74F161	16	8
74F245	20	10
74LS374	20	10

PARTIAL A02 DISPLAY BOARD



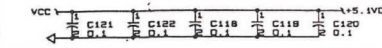
IC PIN INFORMATION

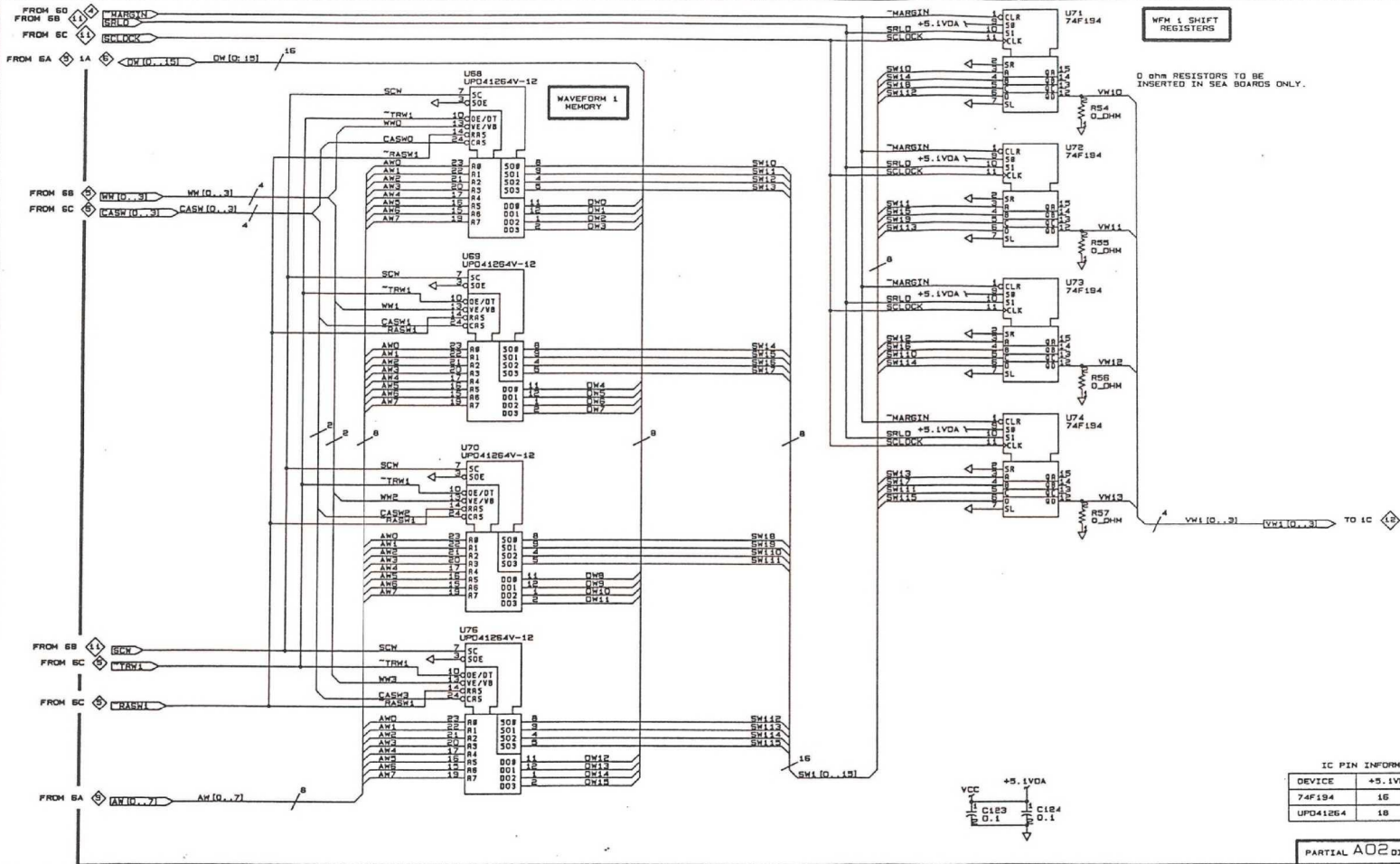
DEVICE	+5.1VDA	GND
28C41	24	12
AGG222	19, 37, 44, 67, 84	1, 14, 22, 38, 43, 66



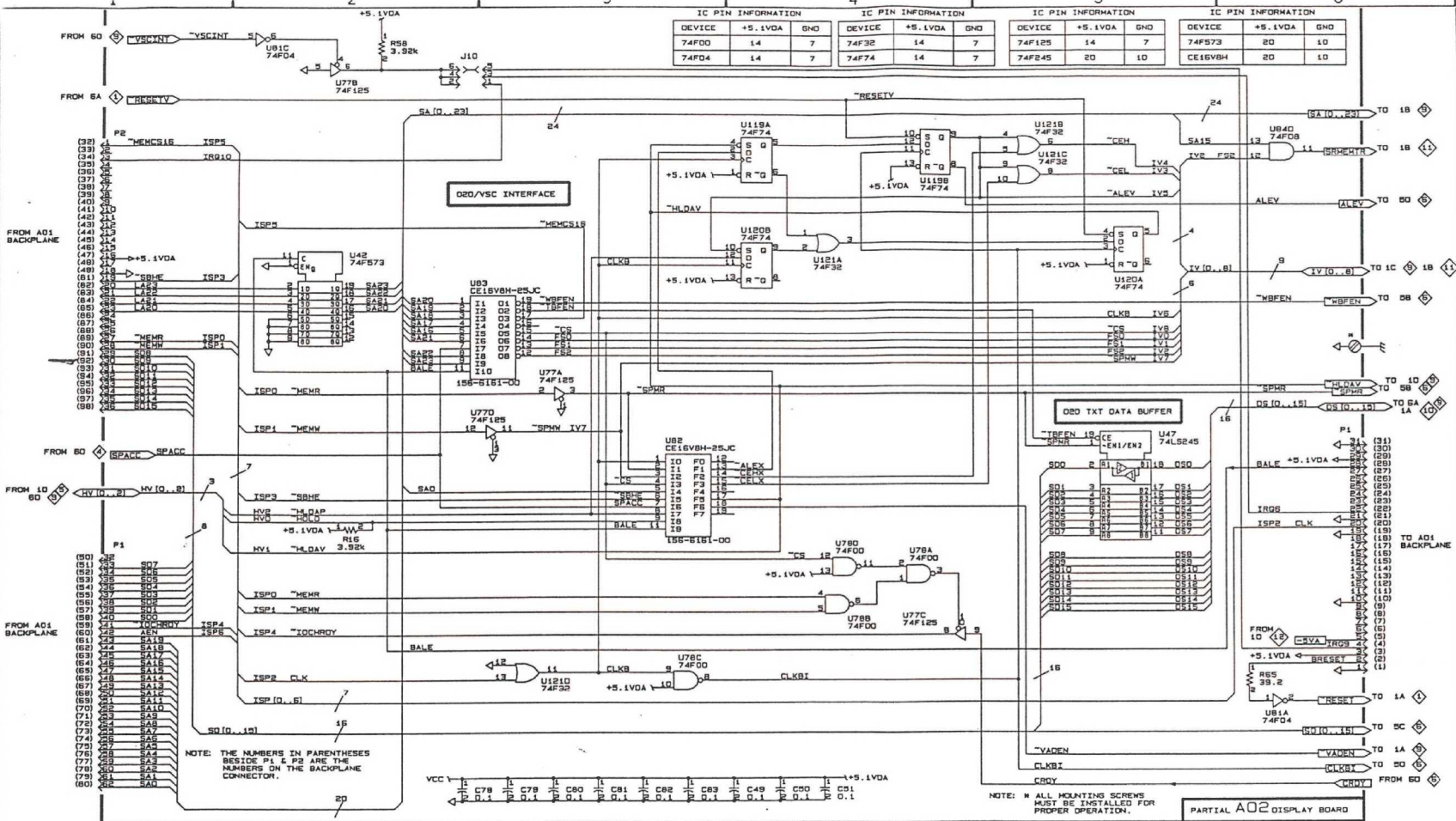
IC PIN INFORMATION

DEVICE	+5.1VDA	GND
74F20	14	7
74F174	16	8
74F194	16	8
74F245	20	10
PAL20L8	26	14
UPD41264	18	6





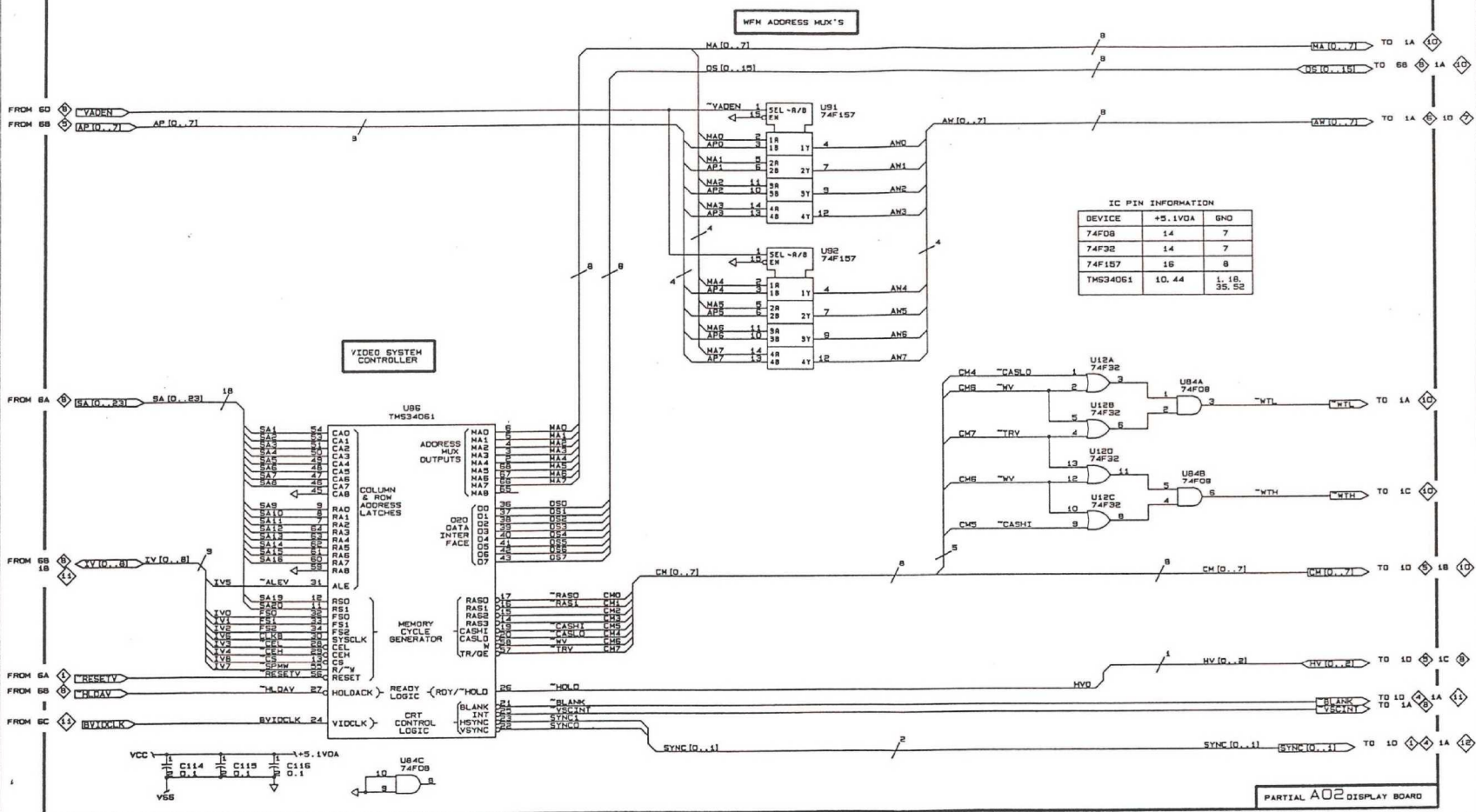
IC PIN INFORMATION			IC PIN INFORMATION			IC PIN INFORMATION			IC PIN INFORMATION		
DEVICE	+5.1VDA	GND	DEVICE	+5.1VDA	GND	DEVICE	+5.1VDA	GND	DEVICE	+5.1VDA	GND
74F00	14	7	74F32	14	7	74F125	14	7	74F573	20	10
74F04	14	7	74F74	14	7	74F245	20	10	CE16VBH	20	10



NOTE: THE NUMBERS IN PARENTHESES BESIDE P1 & P2 ARE THE NUMBERS ON THE BACKPLANE CONNECTOR.

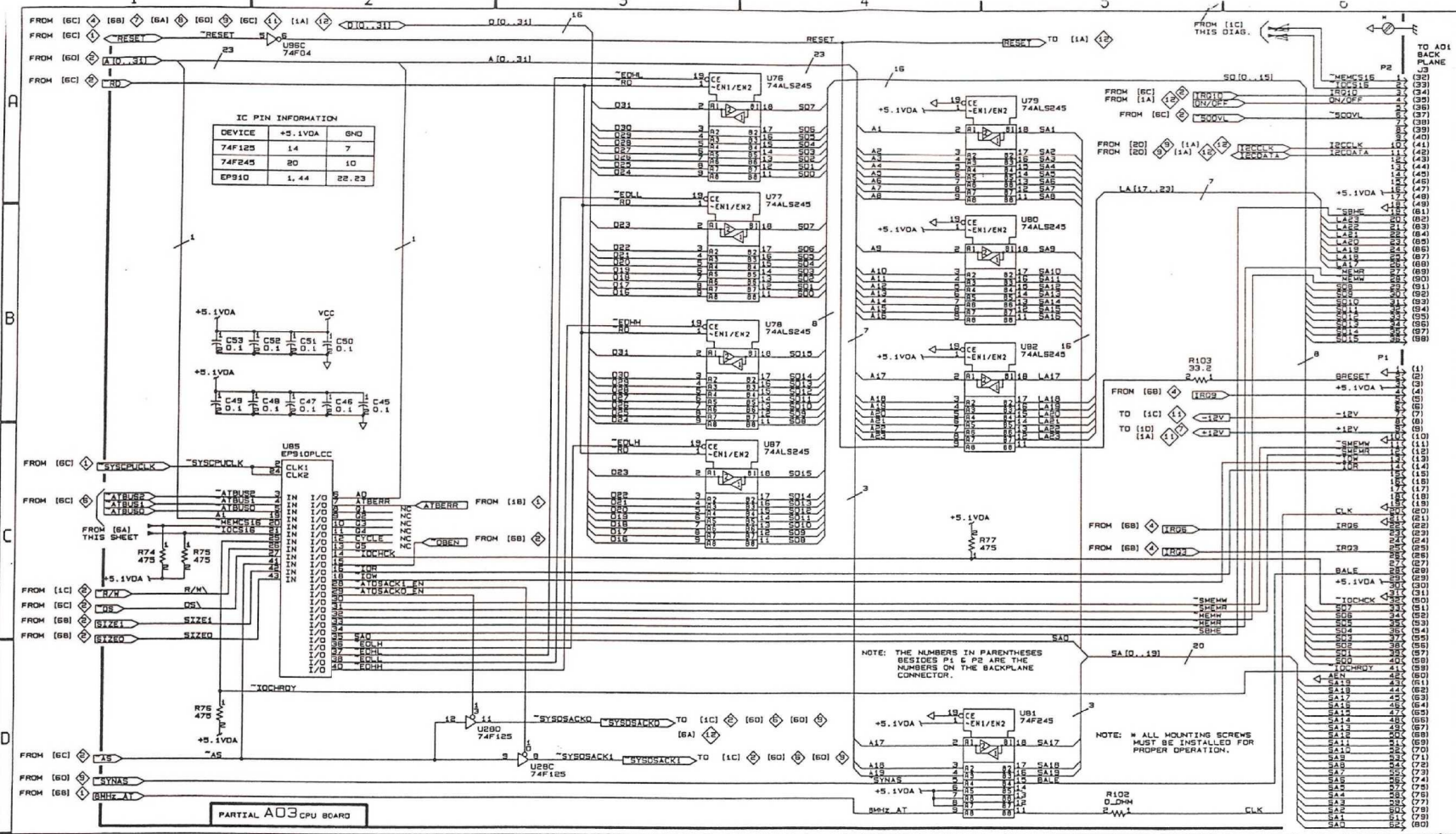
NOTE: ALL MOUNTING SCREWS MUST BE INSTALLED FOR PROPER OPERATION.

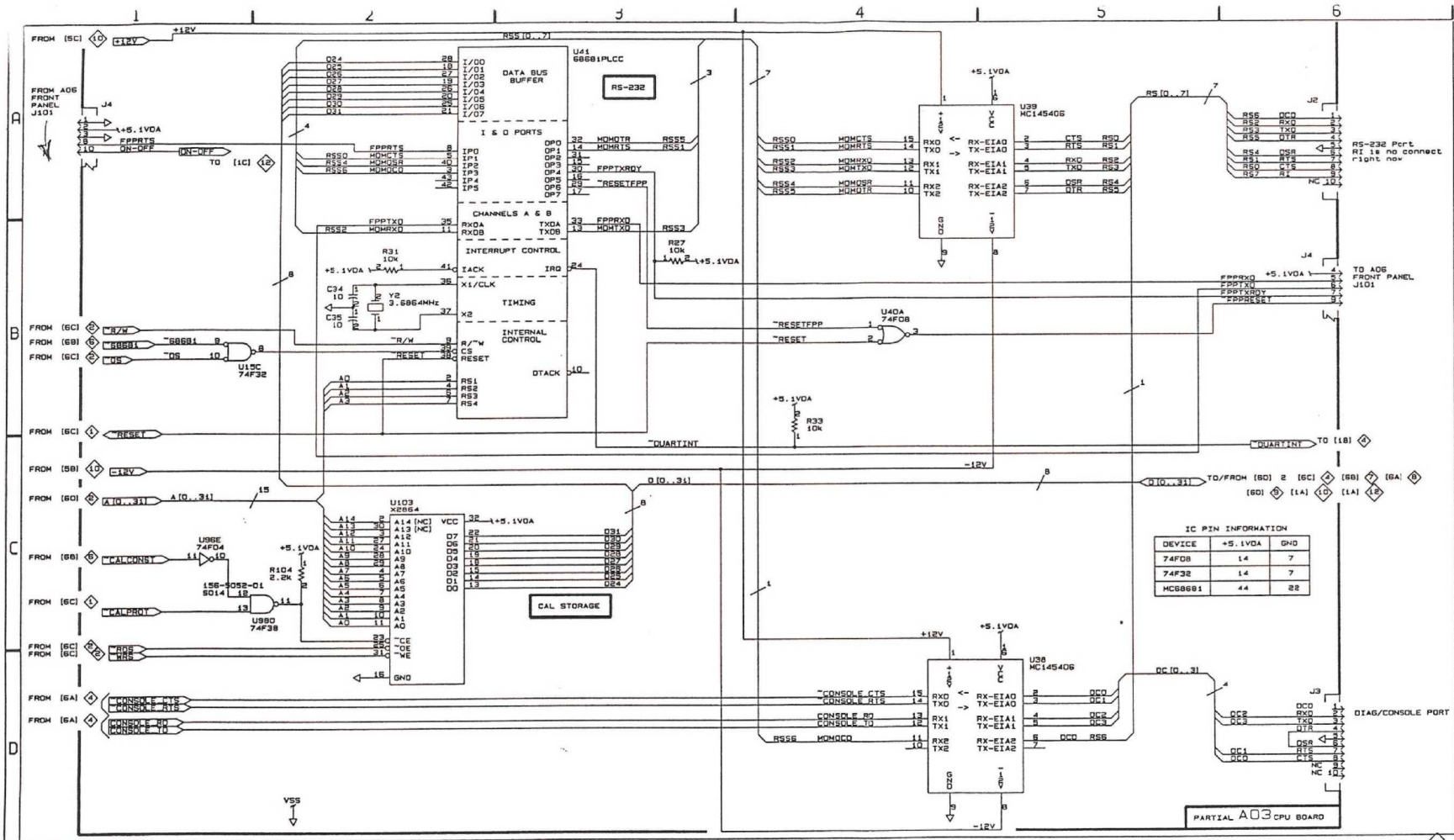
PARTIAL A02 DISPLAY BOARD

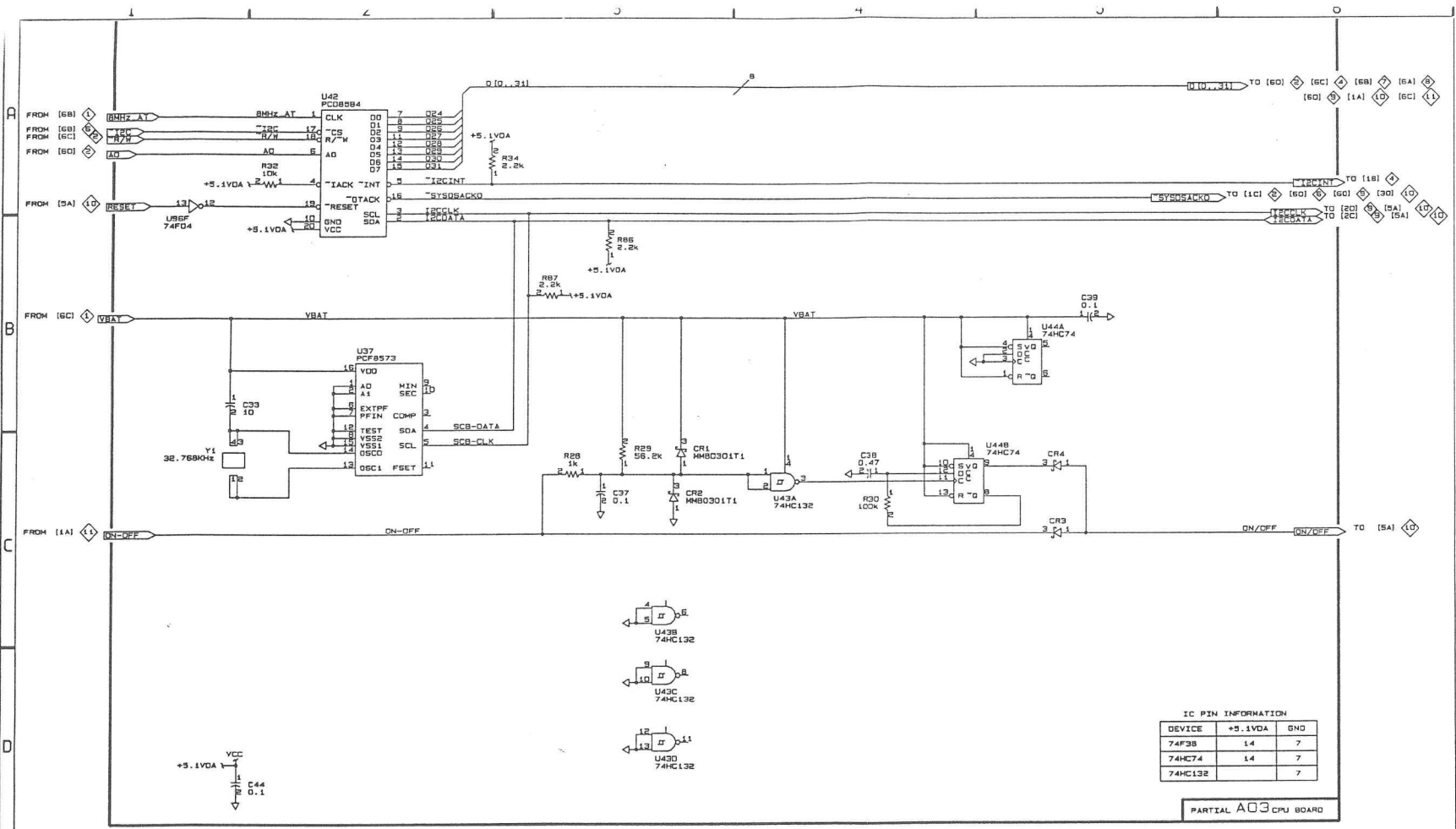


IC PIN INFORMATION

DEVICE	+5.1VDA	GND
74F08	14	7
74F32	14	7
74F157	18	8
TMS34061	10, 44	1, 18, 35, 58



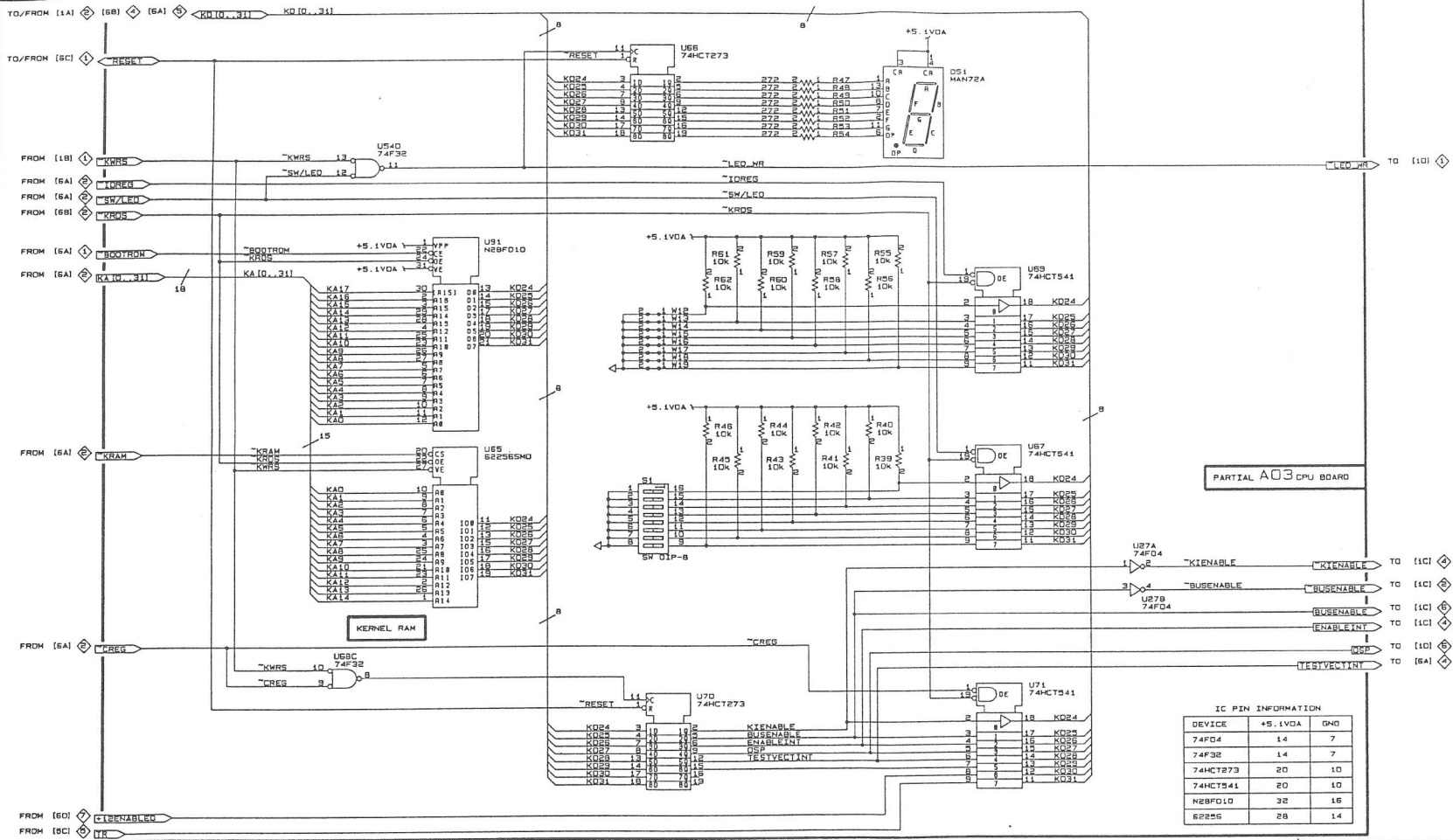




IC PIN INFORMATION

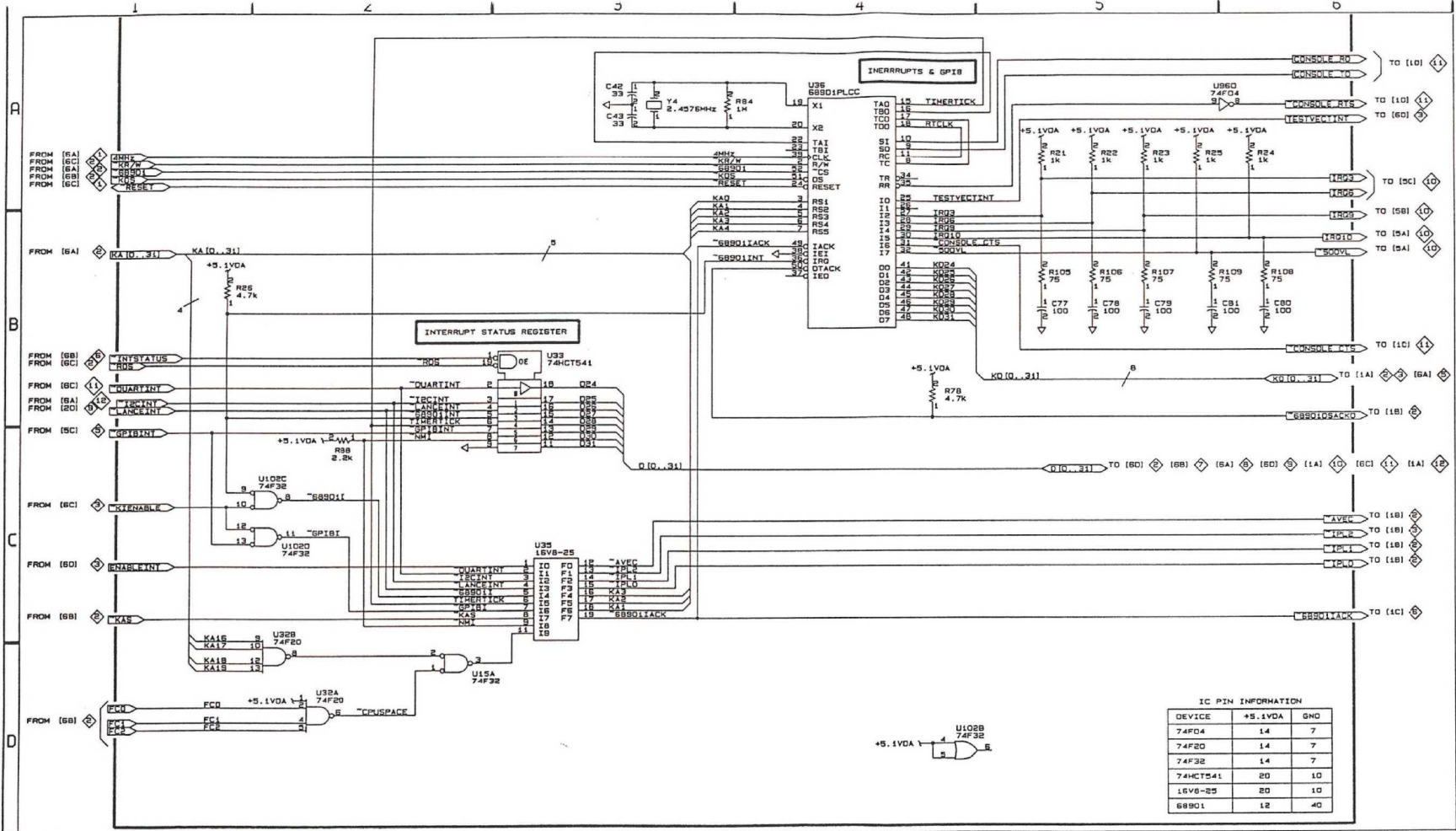
DEVICE	+5.1VDA	GND
74F38	14	7
74HC74	14	7
74HC132		7

PARTIAL A03 CPU BOARD



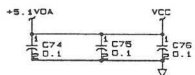
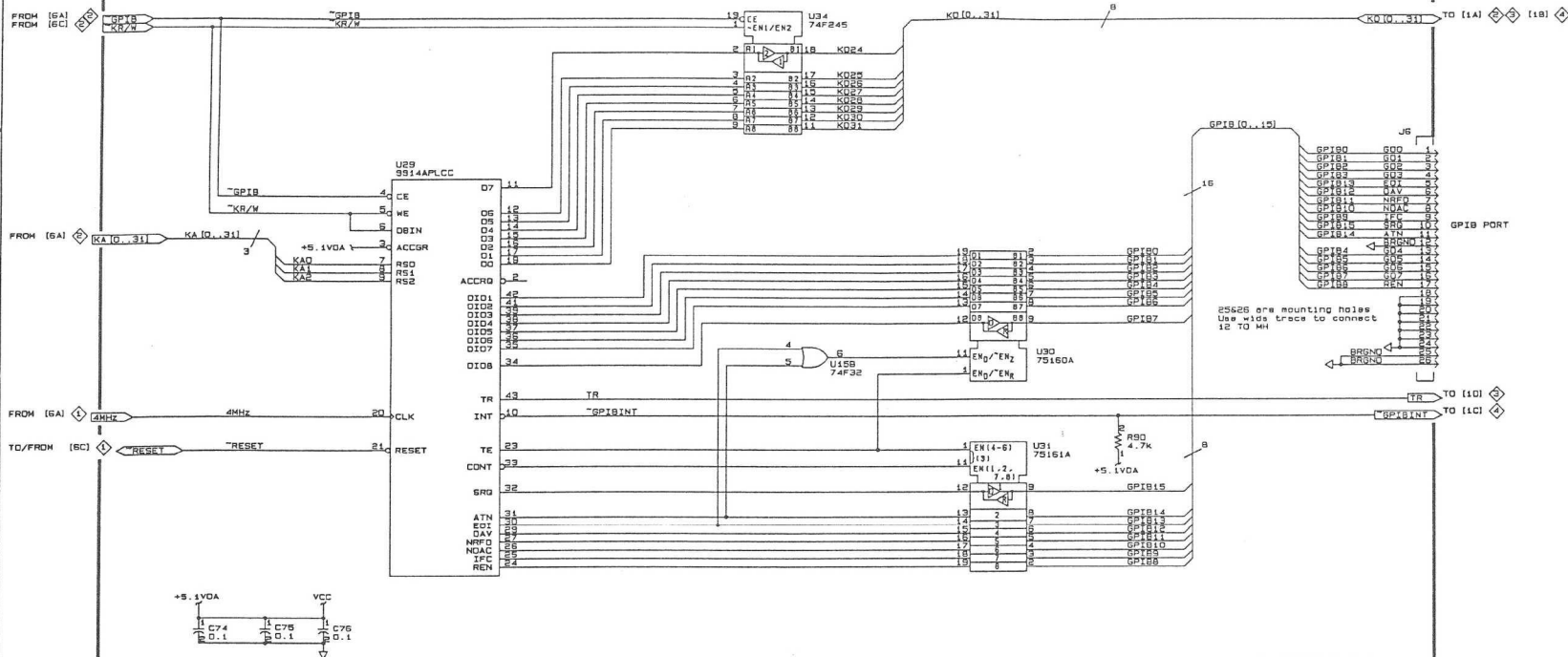
PARTIAL A03 CPU BOARD

IC PIN INFORMATION			
DEVICE	+5.1VDA	GND	
74F04	14	7	
74F32	14	7	
74HC273	20	10	
74HC74	20	10	
74HC541	3E	16	
74F38	14	7	
74F40	14	7	
74F42	14	7	
74F43	14	7	
74F44	14	7	
74F45	14	7	
74F46	14	7	
74F47	14	7	
74F48	14	7	
74F49	14	7	
74F50	14	7	
74F51	14	7	
74F52	14	7	
74F53	14	7	
74F54	14	7	
74F55	14	7	
74F56	14	7	
74F57	14	7	
74F58	14	7	
74F59	14	7	
74F60	14	7	
74F61	14	7	
74F62	14	7	
74F63	14	7	
74F64	14	7	
74F65	14	7	
74F66	14	7	
74F67	14	7	
74F68	14	7	
74F69	14	7	
74F70	14	7	
74F71	14	7	
74F72	14	7	
74F73	14	7	
74F74	14	7	
74F75	14	7	
74F76	14	7	
74F77	14	7	
74F78	14	7	
74F79	14	7	
74F80	14	7	
74F81	14	7	
74F82	14	7	
74F83	14	7	
74F84	14	7	
74F85	14	7	
74F86	14	7	
74F87	14	7	
74F88	14	7	
74F89	14	7	
74F90	14	7	
74F91	14	7	
74F92	14	7	
74F93	14	7	
74F94	14	7	
74F95	14	7	
74F96	14	7	
74F97	14	7	
74F98	14	7	
74F99	14	7	
74F100	14	7	



IC PIN INFORMATION

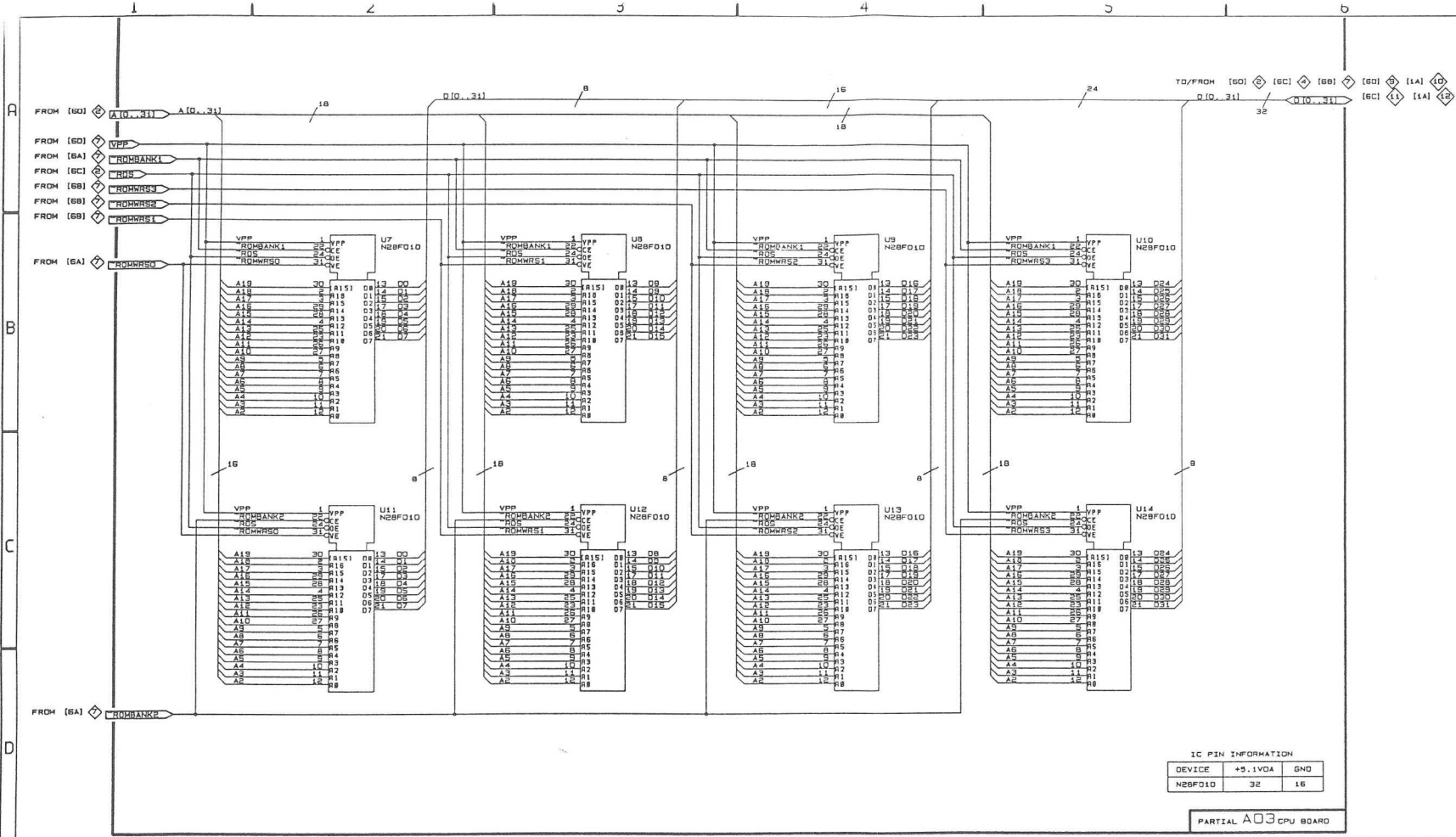
DEVICE	+5.1VDA	GND
74F04	14	7
74F20	14	7
74F32	14	7
74HCT541	20	10
16V8-25	20	10
68801	12	40



IC PIN INFORMATION

DEVICE	+5.1VDA	GND
74F245	14	7
75160	20	10
75161	20	10
9514A	44	22

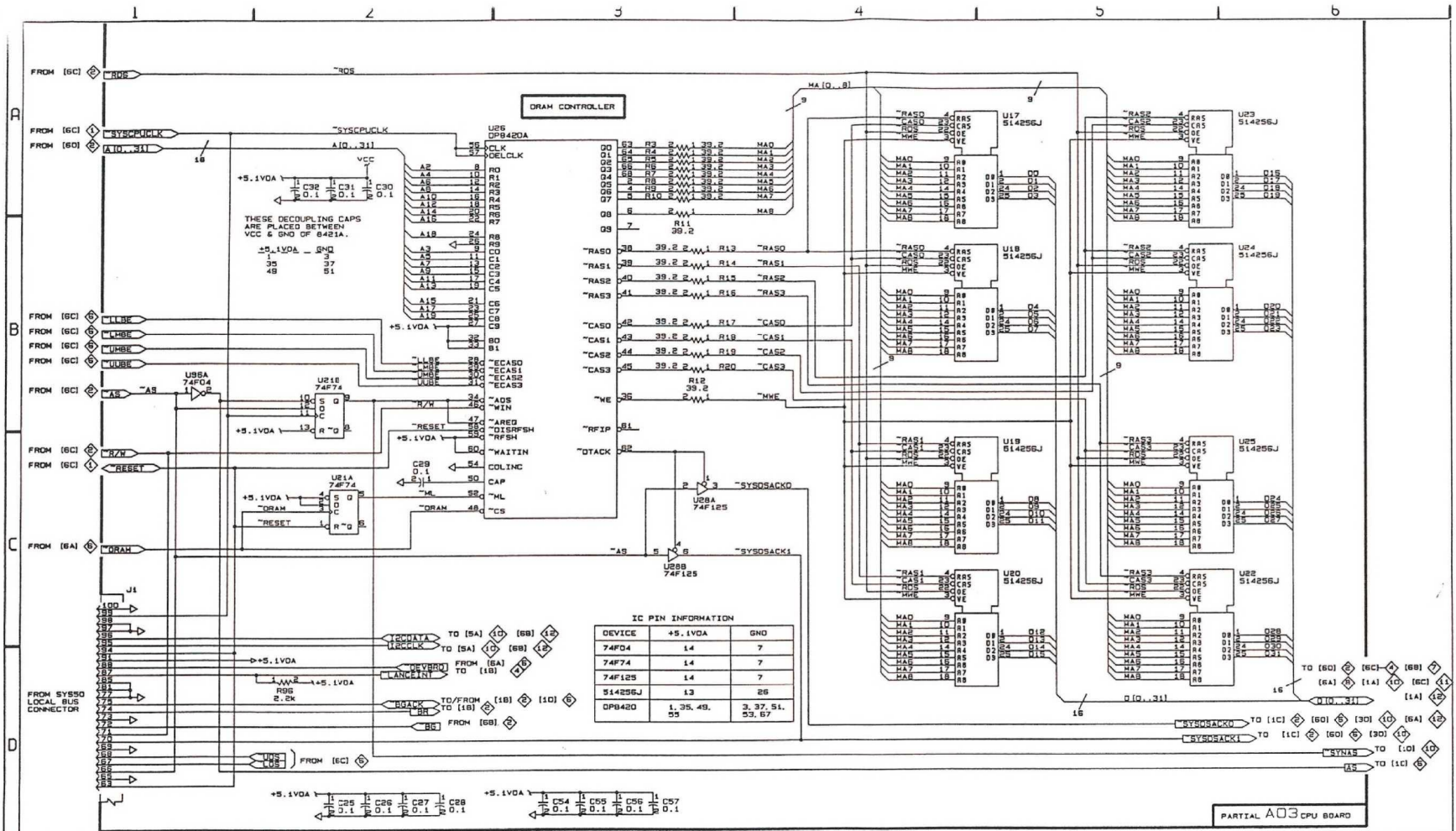
PARTIAL A03 CPU BOARD

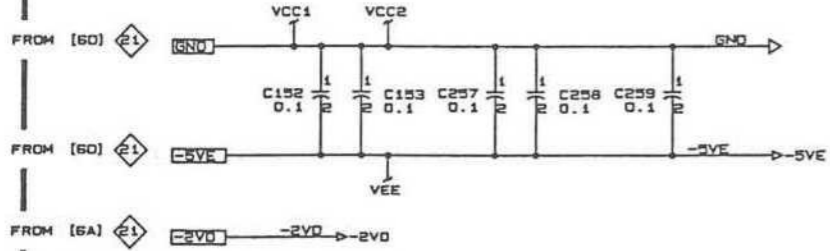
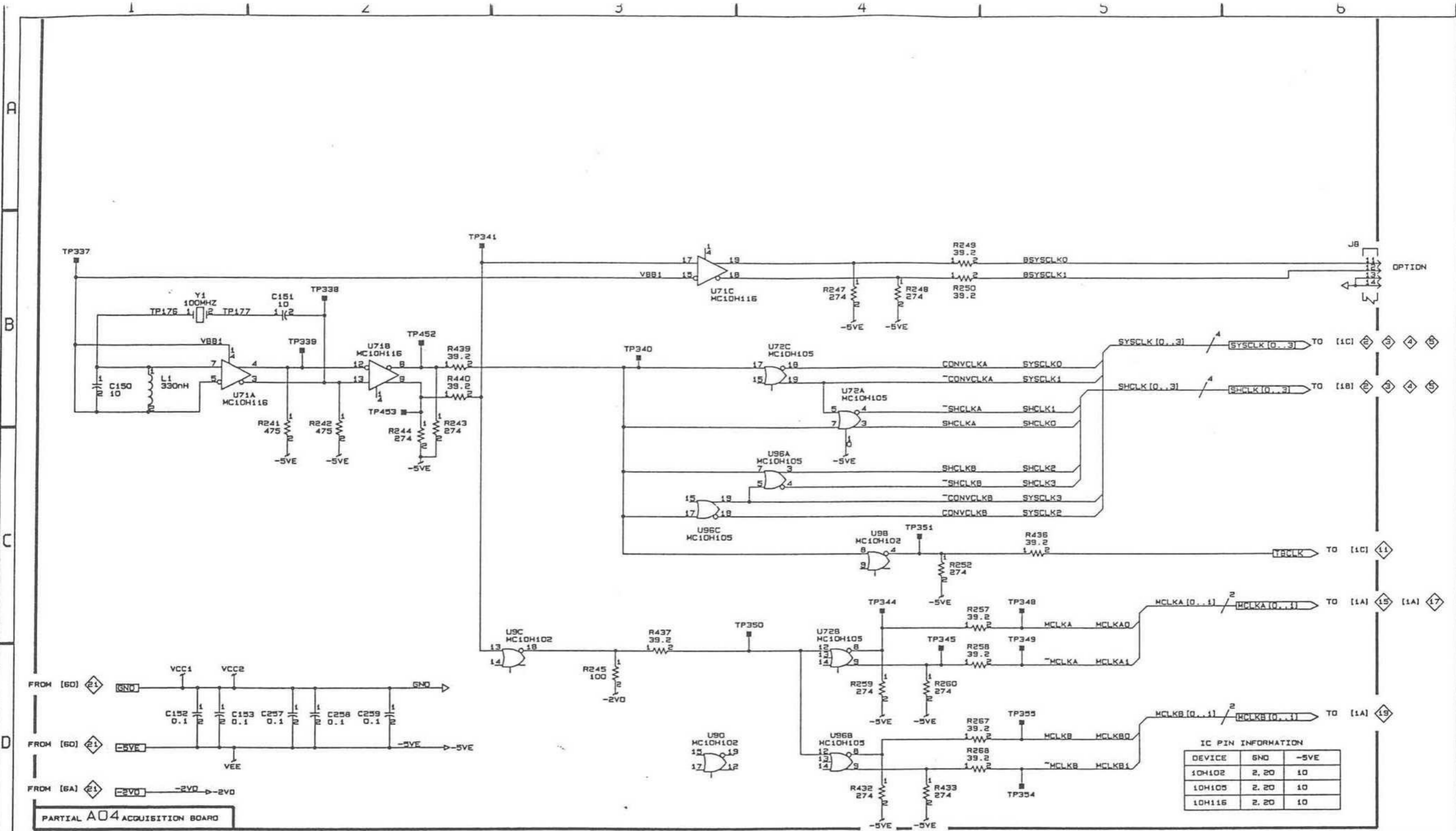


IC PIN INFORMATION

DEVICE	+5.1VDA	GND
N2BFD10	32	16

PARTIAL A03 CPU BOARD

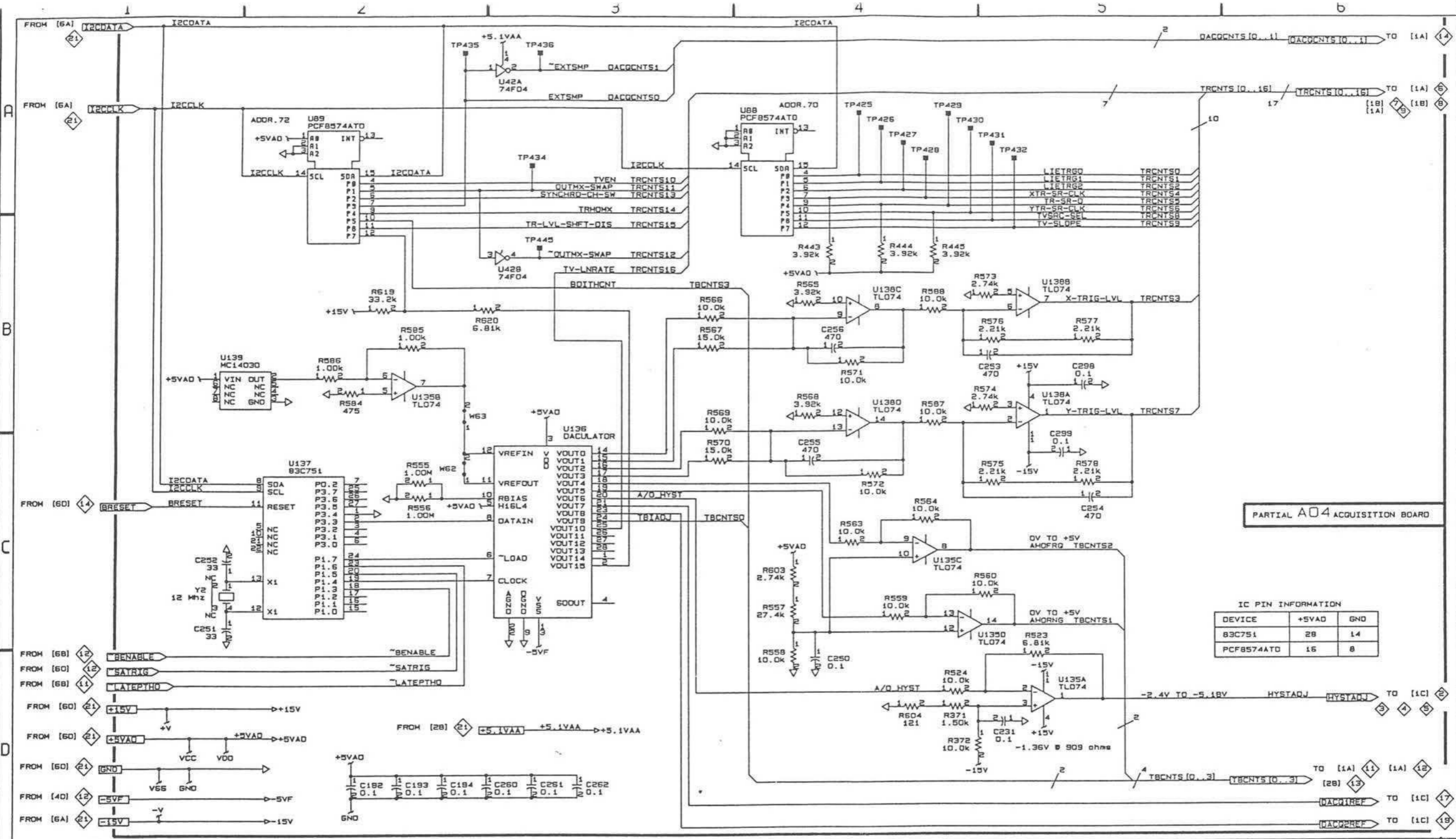




PARTIAL A04 ACQUISITION BOARD

IC PIN INFORMATION

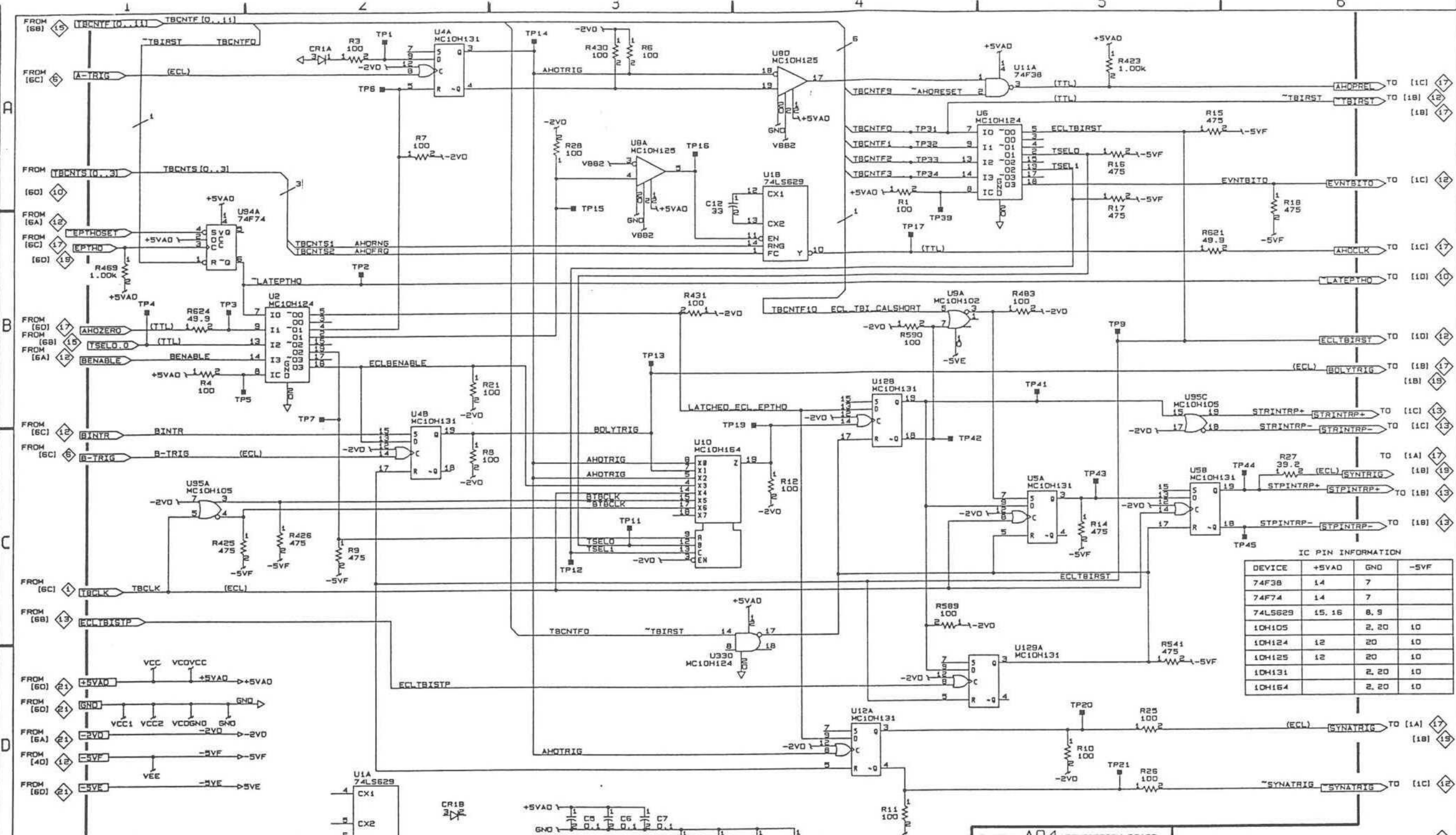
DEVICE	GND	-5VE
10H102	2, 20	10
10H105	2, 20	10
10H116	2, 20	10



PARTIAL A04 ACQUISITION BOARD

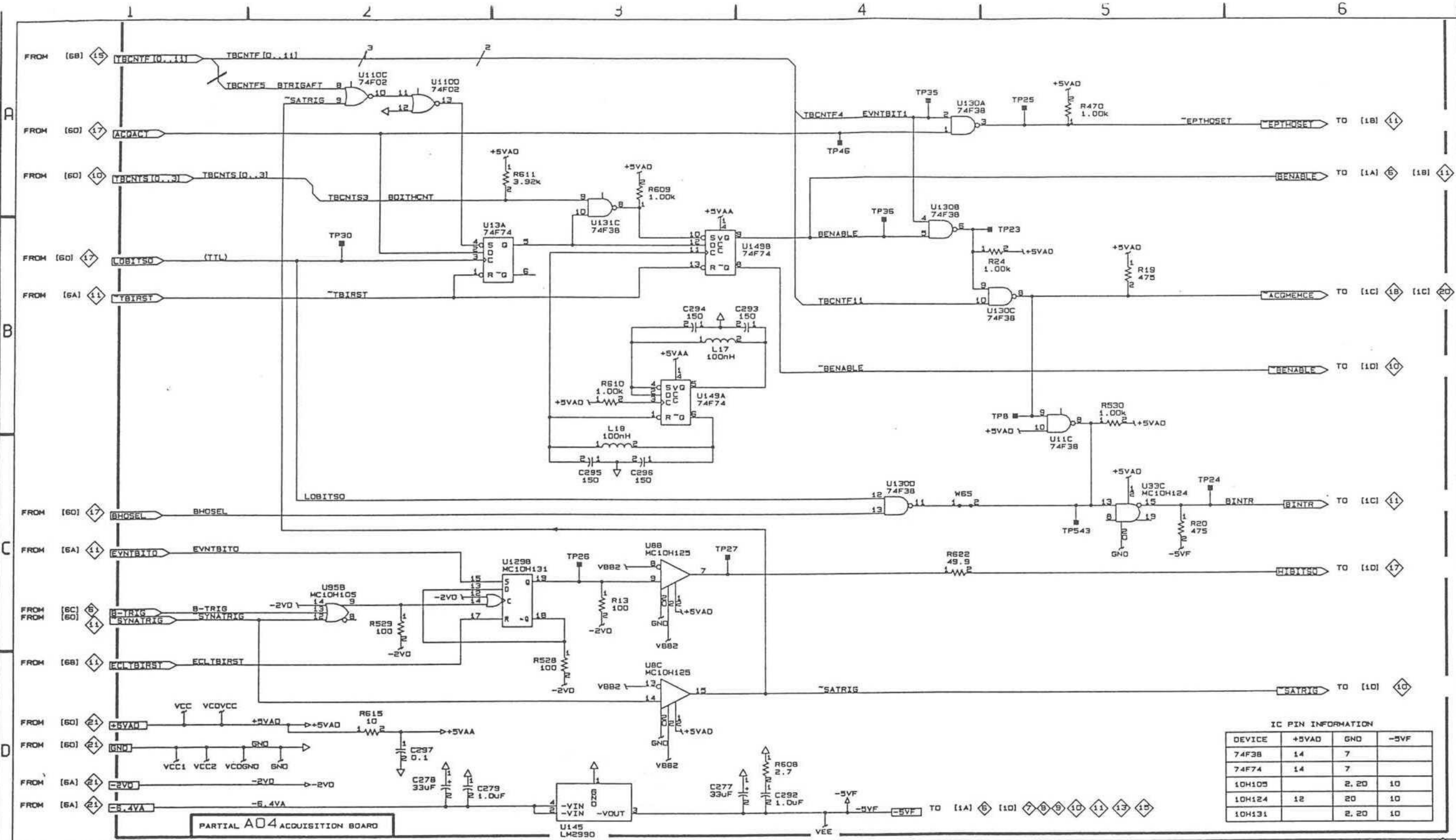
IC PIN INFORMATION

DEVICE	+5VAD	GND
83C751	28	14
PCF8574A	16	8



IC PIN INFORMATION

DEVICE	+5VAD	GND	-5VF
74F38	14	7	
74F74	14	7	
74LS629	15, 16	8, 9	
10H105		2, 20	10
10H124	12	20	10
10H125		2, 20	10
10H164		2, 20	10



IC PIN INFORMATION

DEVICE	+5VAD	GND	-5V0
74F38	14	7	
74F74	14	7	
10H105		2, 20	10
10H124	12	20	10
10H131		2, 20	10

EXTCLK/
AUXTRIG

W100
JUMPER

R637 274
R638 274
R639 274

+5VAD
CR10 MMB0301
CR11 MMB0301

TP550
R546 3.92k
U13B 74F74

+5VAD
R235 475
U4DA 74F38

+5VAD
U132A 74F11
R545 39.2

FROM [6A] 10
DACQCNYS [0..1]
DACQCNYS [0..1]

DACQCNYS0
DACQCNYS1

TP90

TP91

TP93

EXTCLK EXTCLK TO [1C] 17 [1C] 19

TO [1A] 15 16 18 20

000
001
002
003
004
005
006
007
008
009
010
011
012
013
014
015
016
017
018
019

FROM A02
& A09

~TWAIT FROM [60] 16

~ACQINT FROM [60] 17 [60] 19

~BVMA1 TO [1A] 15 [10] 16 [1A] 18 20

~BWOS1 TO [18] 15 [1C] 17 [1C] 19

~BRO1 TO [18] 16 [1C] 17 [1C] 19

~BRESET TO [1C] 10 [1C] 17 [1C] 19

U280 74F32

U28C 74F32

U42C 74F04
U42F 74F04

R623 49.9
R636 100

TP538
TP540
TP539

FROM [28] 21 CS_1VAA +5.1VAA +5.1VAA

FROM [60] 21 +5VAD VCC +5VAD +5VAD

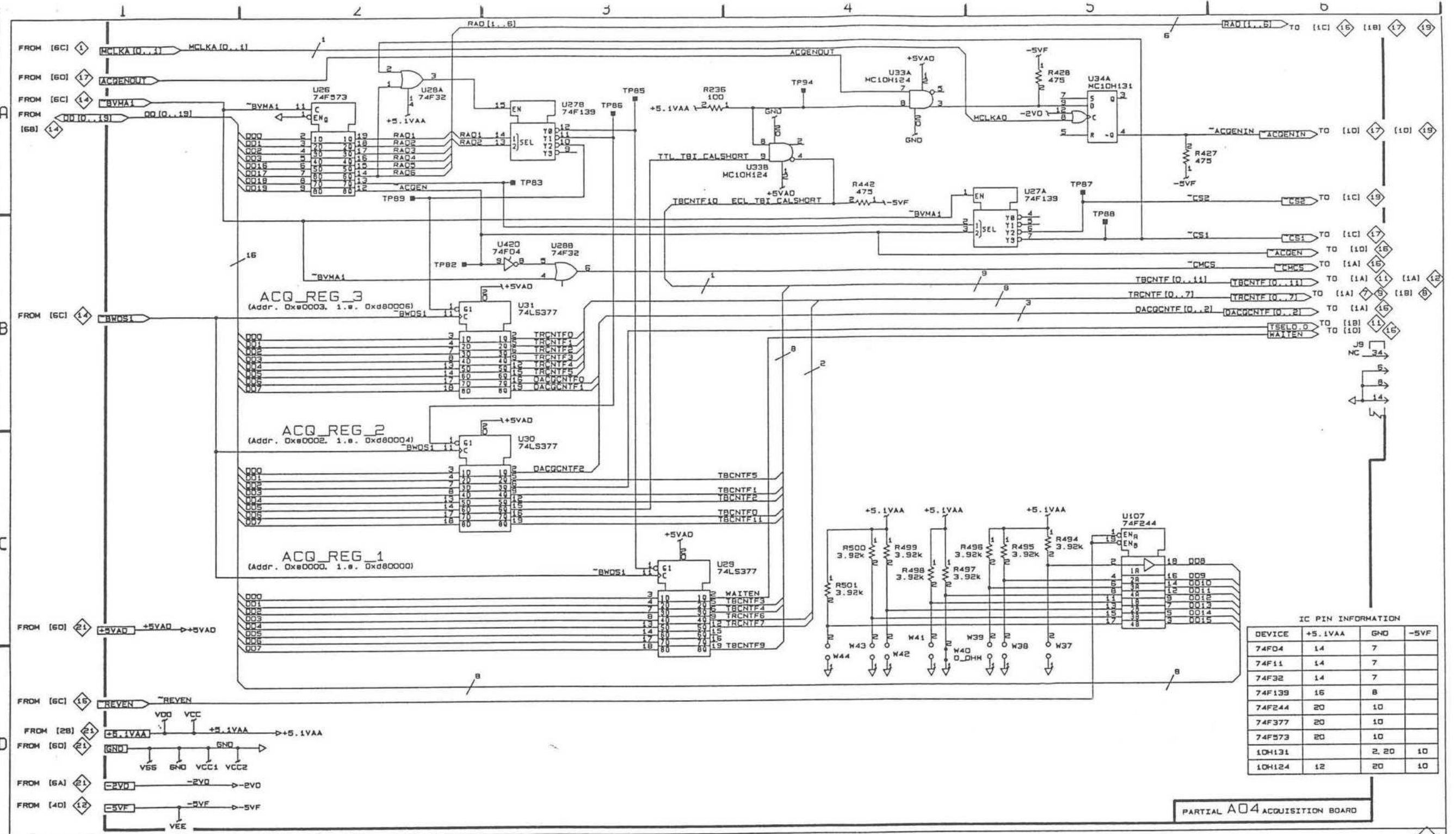
FROM [60] 21 GND GND GND

U132C 74F11

IC PIN INFORMATION

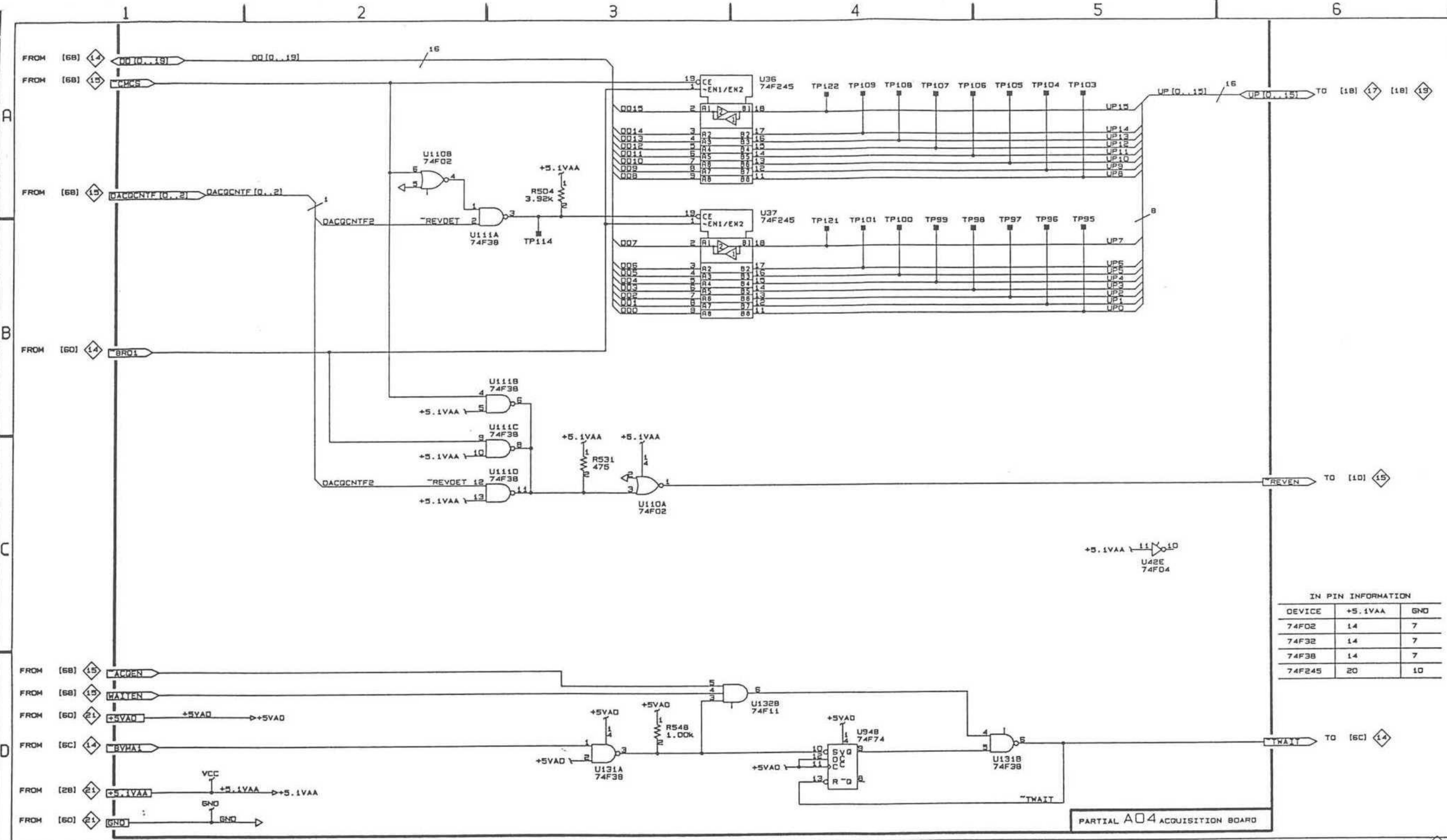
DEVICE	+5VAD	GND
74F04	14	7
74F08	14	7
74F38	14	7
74F74	14	7

PARTIAL A04 ACQUISITION BOARD



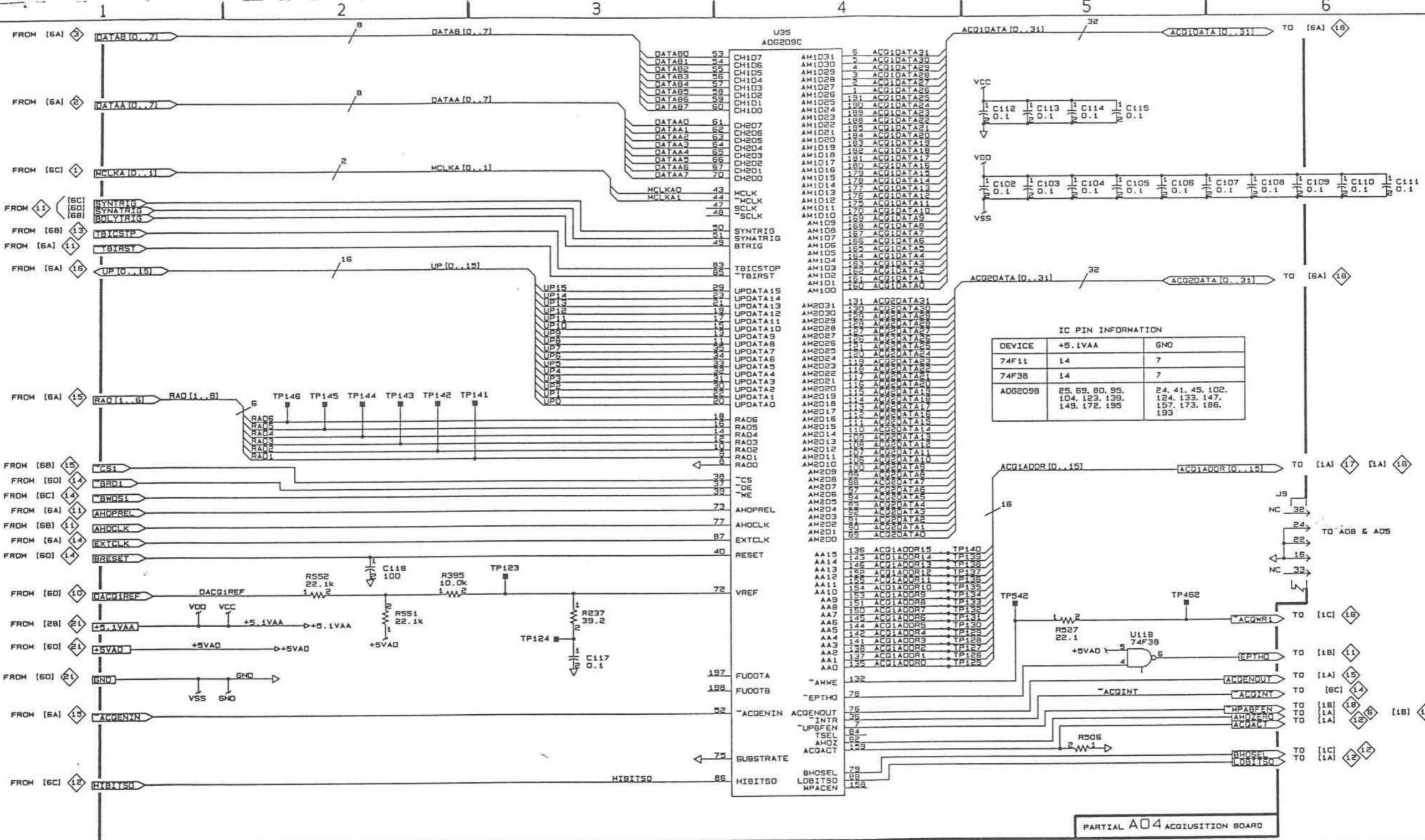
IC PIN INFORMATION

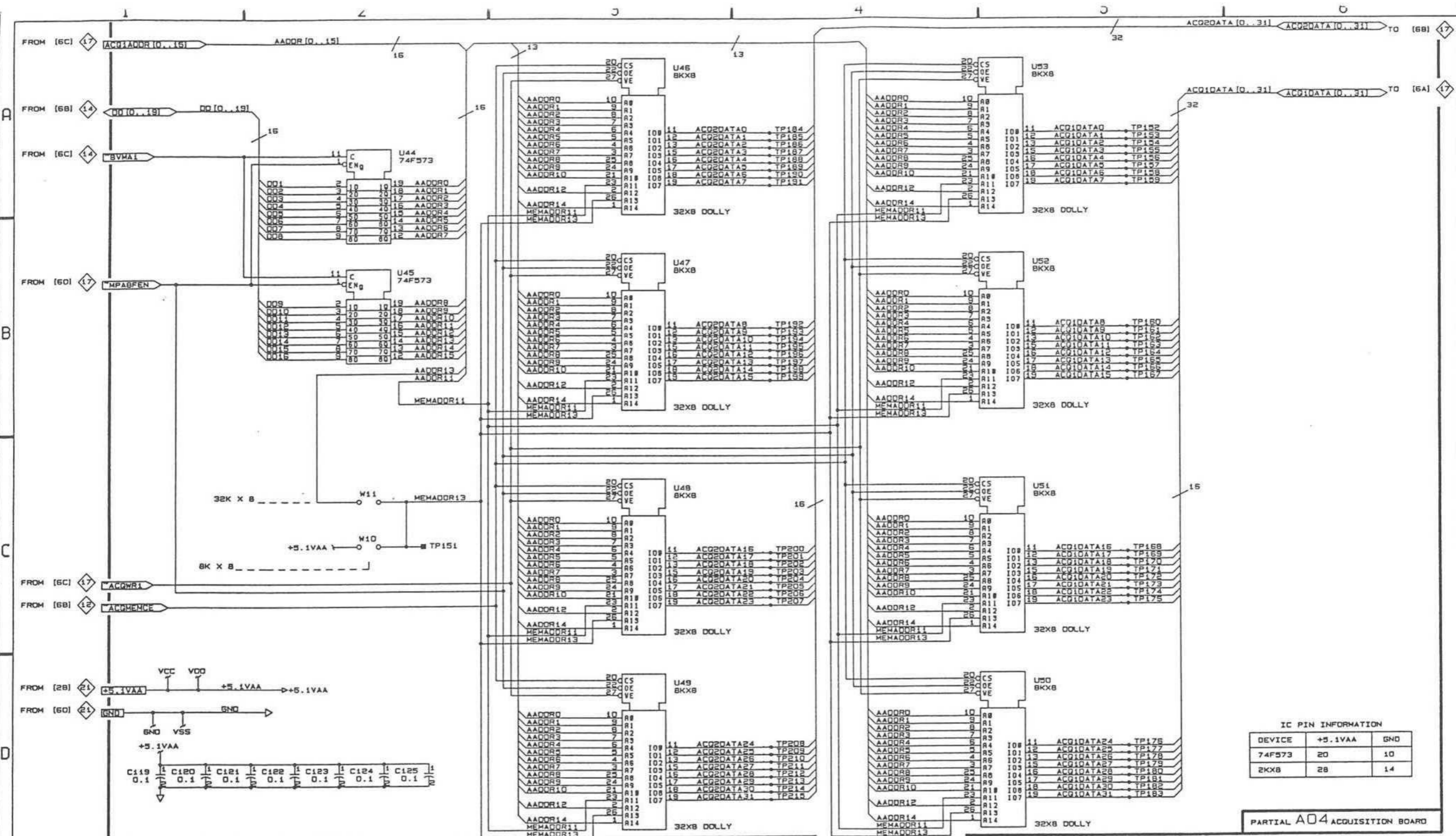
DEVICE	+5.1VAA	GND	-5VF
74F04	14	7	
74F11	14	7	
74F32	14	7	
74F139	16	8	
74F244	20	10	
74F377	20	10	
74F573	20	10	
10H131		2, 20	10
10H124		20	10



IN PIN INFORMATION

DEVICE	+5.1VAA	GND
74F02	14	7
74F32	14	7
74F38	14	7
74F245	20	10

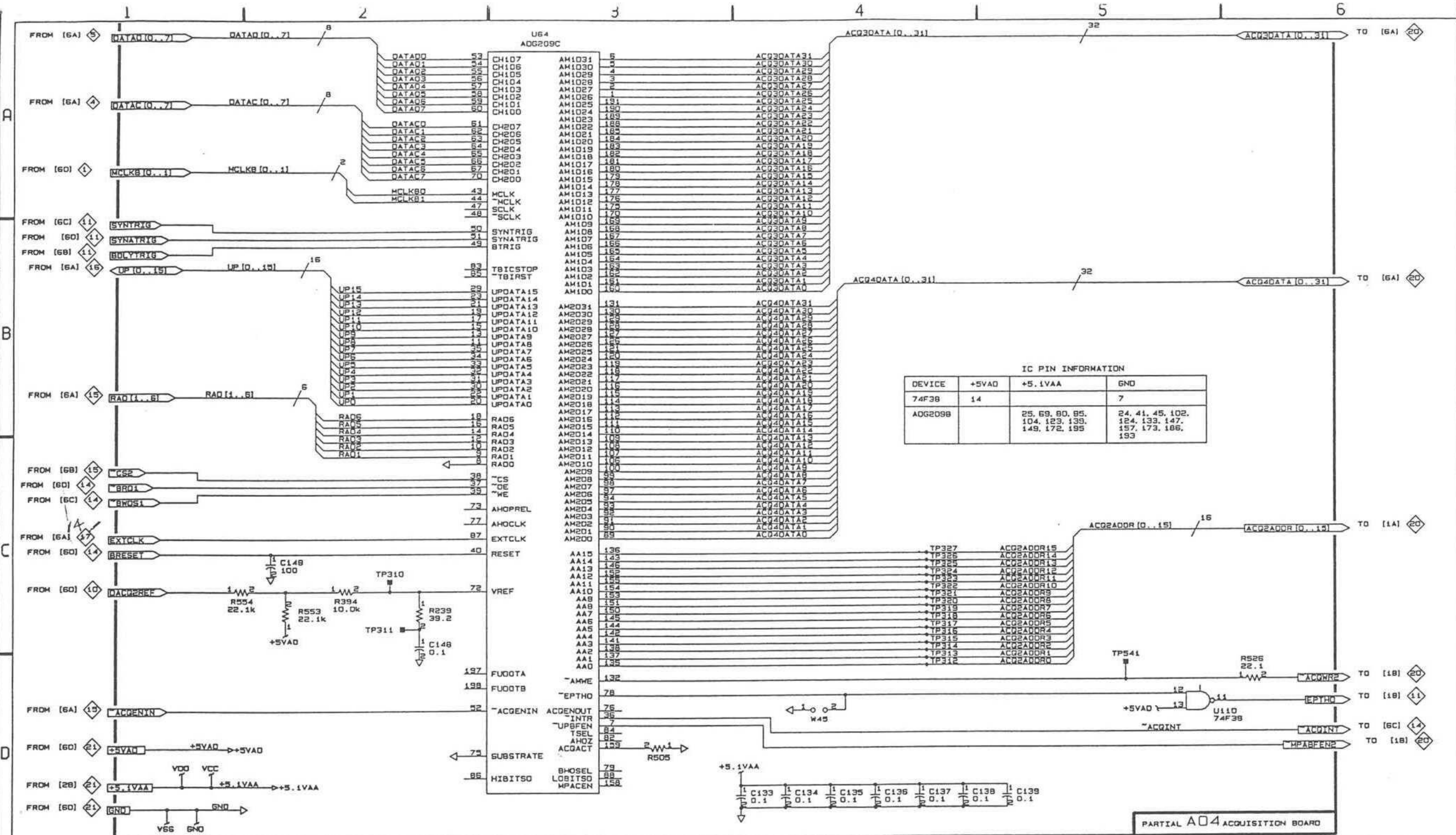


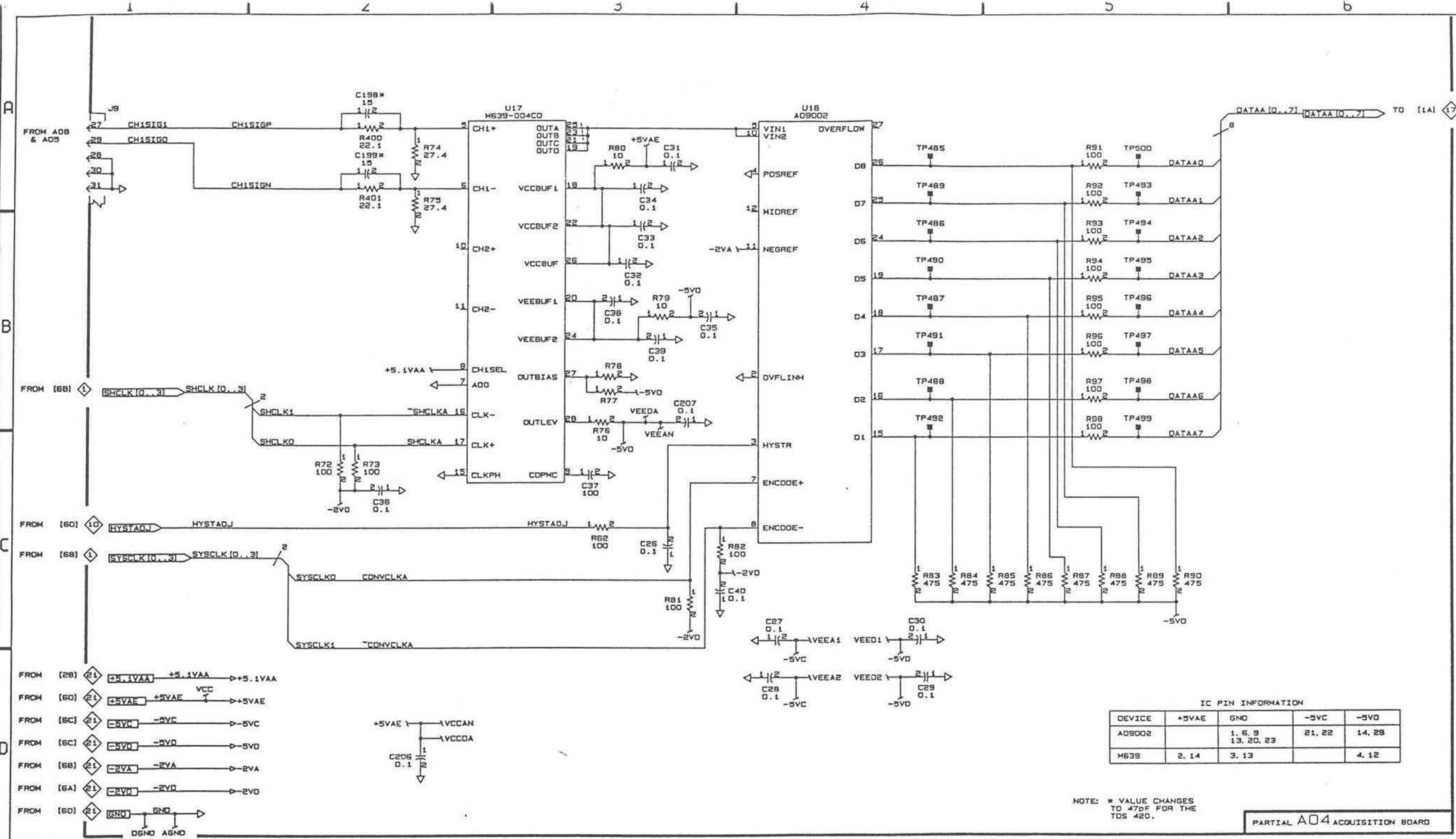


IC PIN INFORMATION

DEVICE	+5.1VAA	GND
74F573	20	10
8KX8	28	14

PARTIAL A04 ACQUISITION BOARD



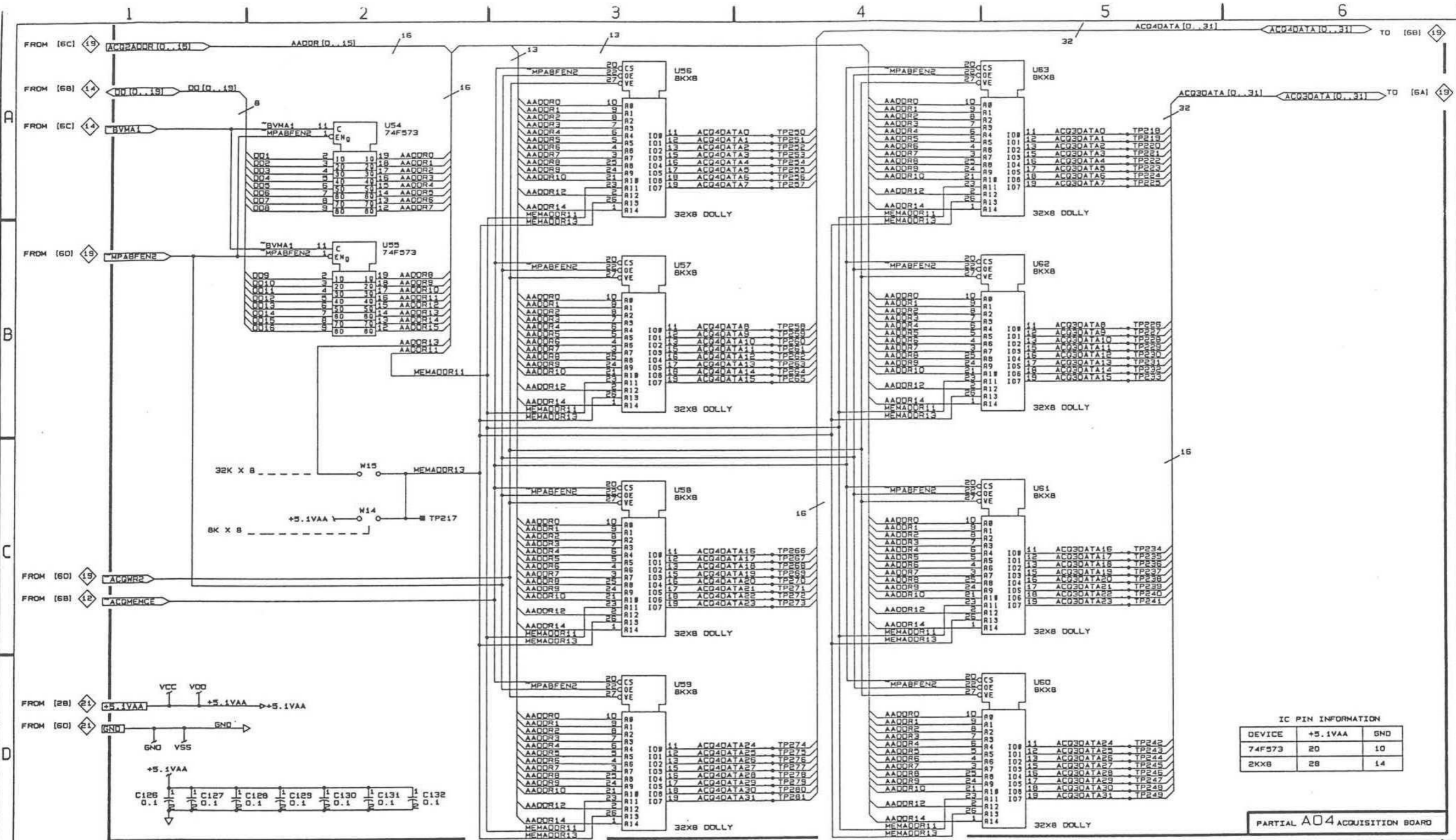


IC PIN INFORMATION

DEVICE	+5VAE	GND	-5VC	-5VD
AD9002		1, 6, 9 13, 20, 23	21, 22	14, 28
MS39	2, 14	3, 13		4, 12

NOTE: * VALUE CHANGES TO 47pF FOR THE TDS 420.

PARTIAL A04 ACQUISITION BOARD



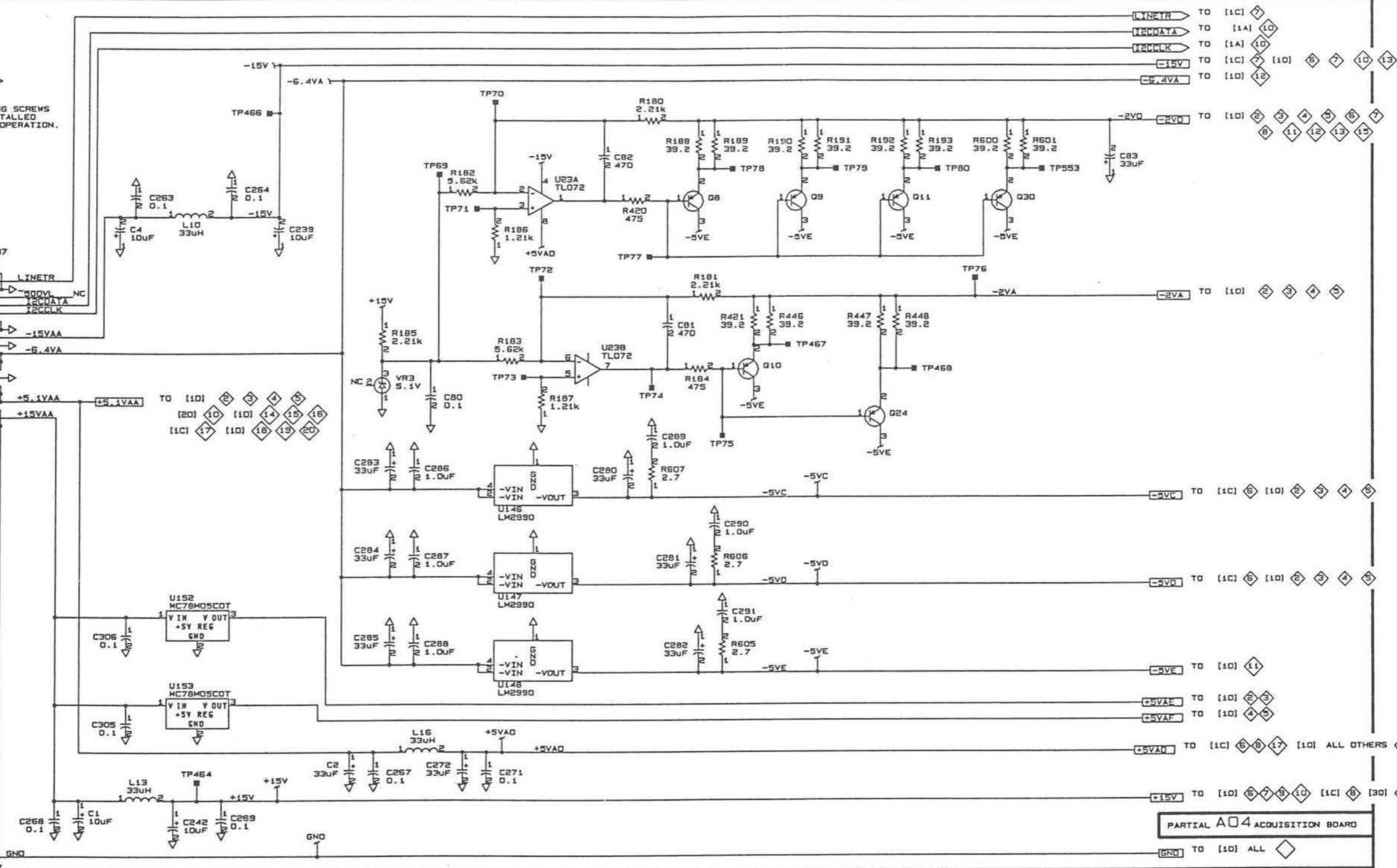
IC PIN INFORMATION

DEVICE	+5.1VAA	GND
74F573	20	10
2KXB	28	14

PARTIAL A04 ACQUISITION BOARD

NOTE: * ALL MOUNTING SCREWS MUST BE INSTALLED FOR PROPER OPERATION.

SERIAL CONTROL BUS/POWER BUS
FROM AO1 BACKPLANE

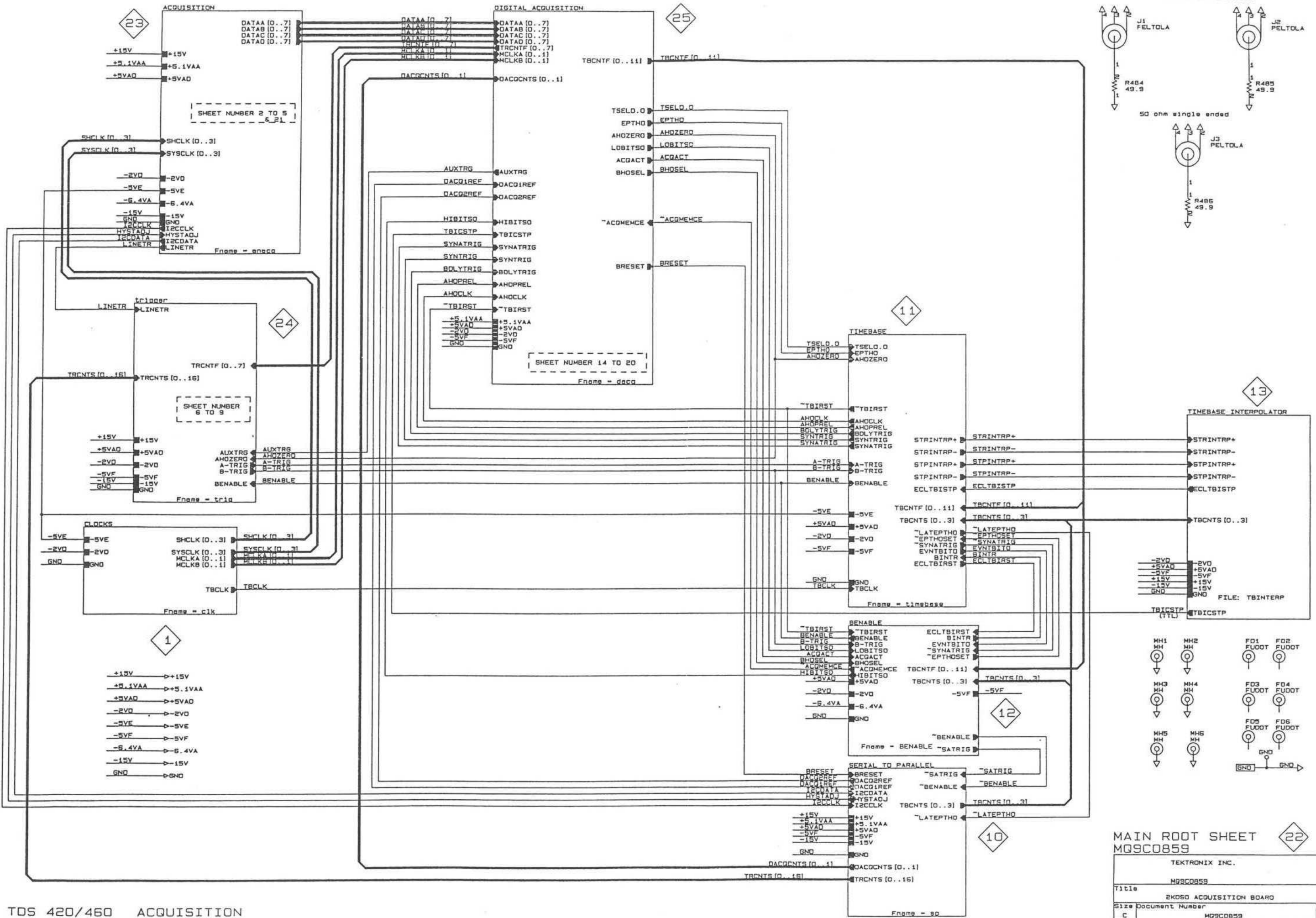


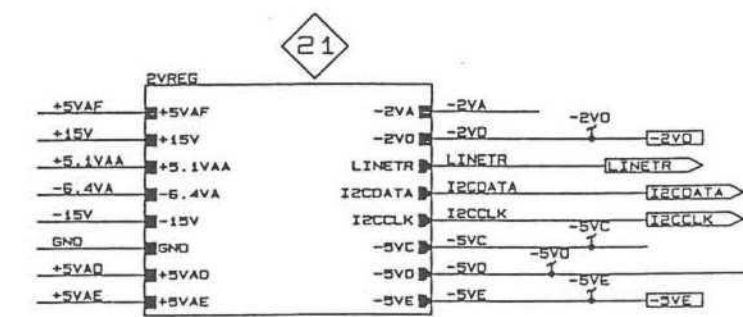
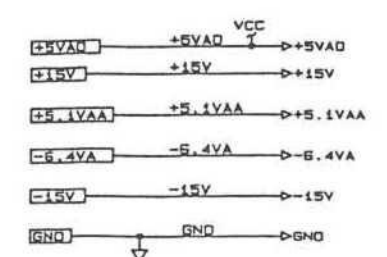
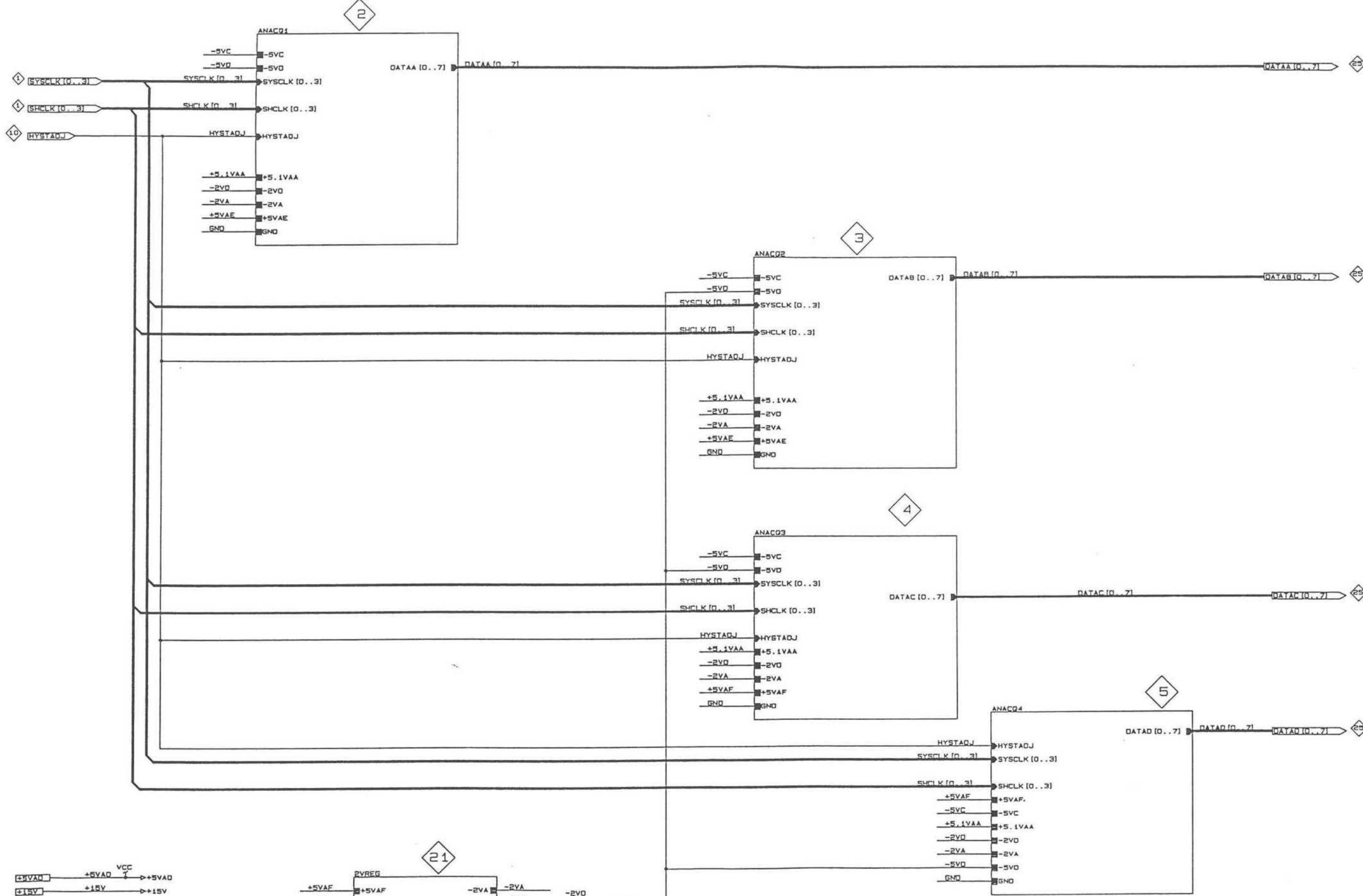
- LINEAR TO [1C] 7
- NEWDATA TO [1A] 10
- NEWCLK TO [1A] 10
- 15V TO [1C] 7 [10] 6 7 10 13
- 6.4VA TO [10] 12
- 2VD TO [10] 2 3 4 5 6 7

- +5.1VAA TO [10] 2 3 4 5
- [20] 10 [10] 14 15 16
- [1C] 17 [10] 18 19 20

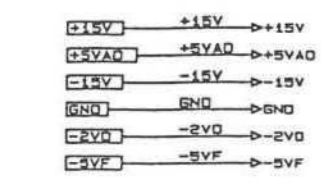
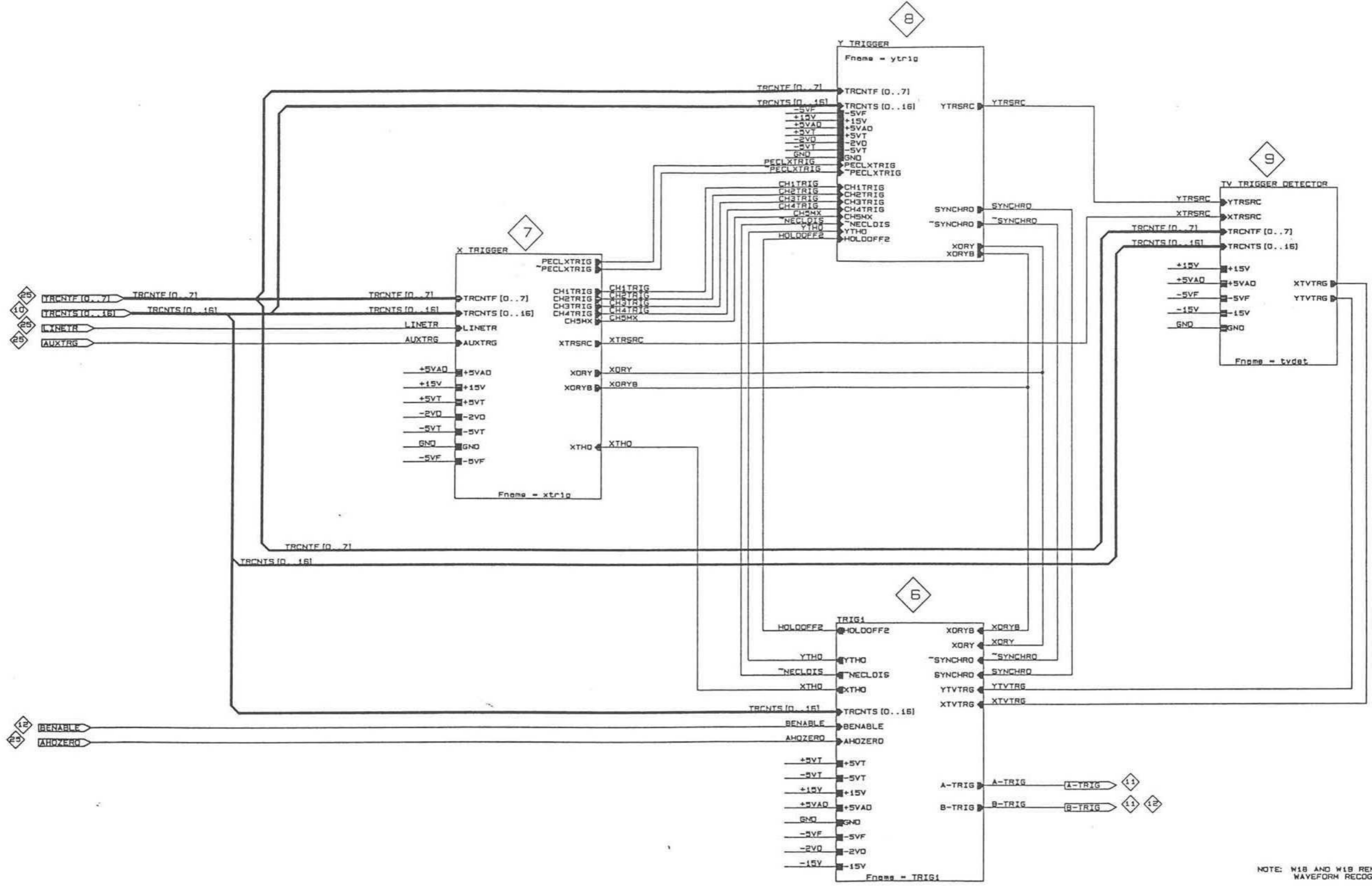
- 5VC TO [1C] 6 [10] 2 3 4 5
- 5VD TO [1C] 6 [10] 6 3 4 5
- 5VE TO [10] 11
- +5VAF TO [10] 2 3
- +5VAE TO [10] 4 5
- +5VAD TO [1C] 6 8 17 [10] ALL OTHERS
- +15V TO [10] 6 7 9 10 [1C] 8 [30] 13
- GND TO [10] ALL

PARTIAL AO4 ACQUISITION BOARD

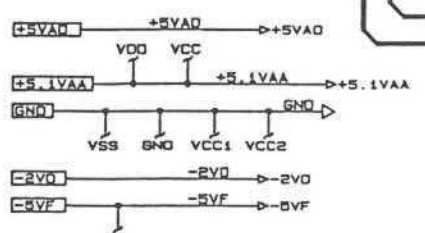
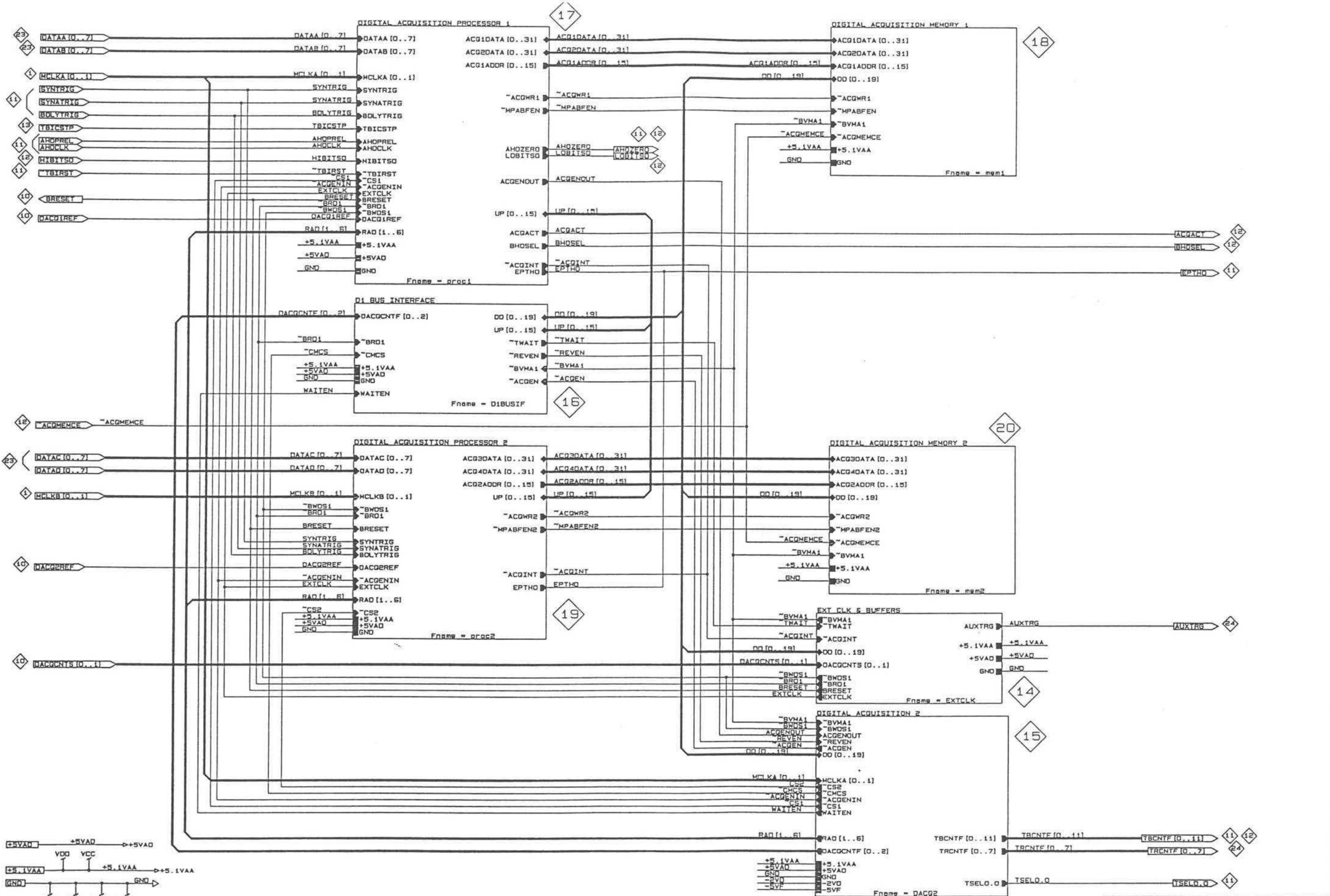




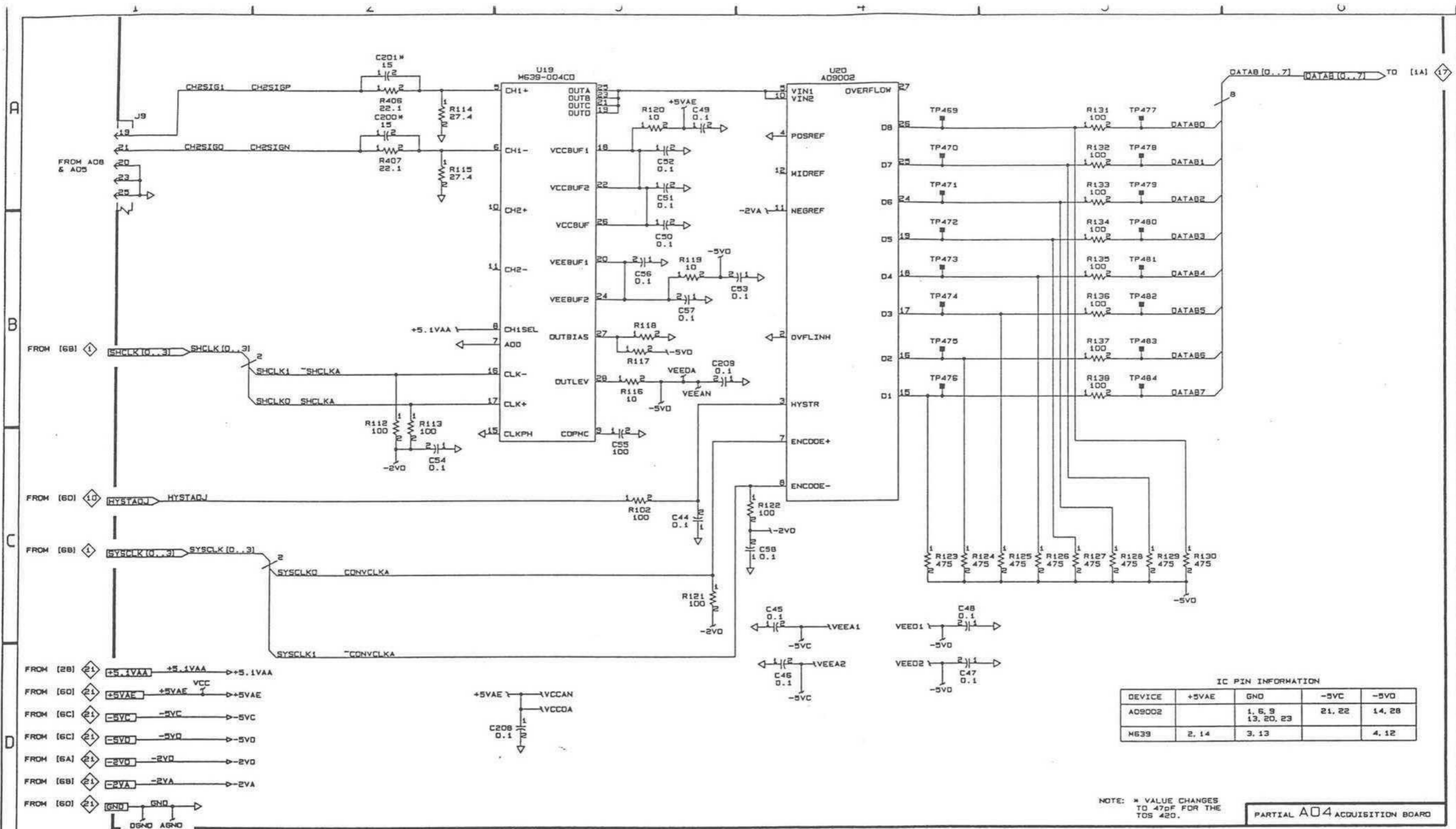
TEKTRONIX INC.		
HQ9C0859		
Title 2K505 ACQUISITION BOARD		
Size	Document Number	REV
C	ANACQ	3
Date:	August 9, 1991 Sheet 23 of 25	



NOTE: W18 AND W19 REMOVED WHEN WAVEFORM RECOGNIZER INSTALLED



TEKTRONIX INC.	
M920855	
DIGITAL ACQUISITION	
Size Document Number	REV 5
C deca	
Date: August 9, 1991	Sheet 25 of 25

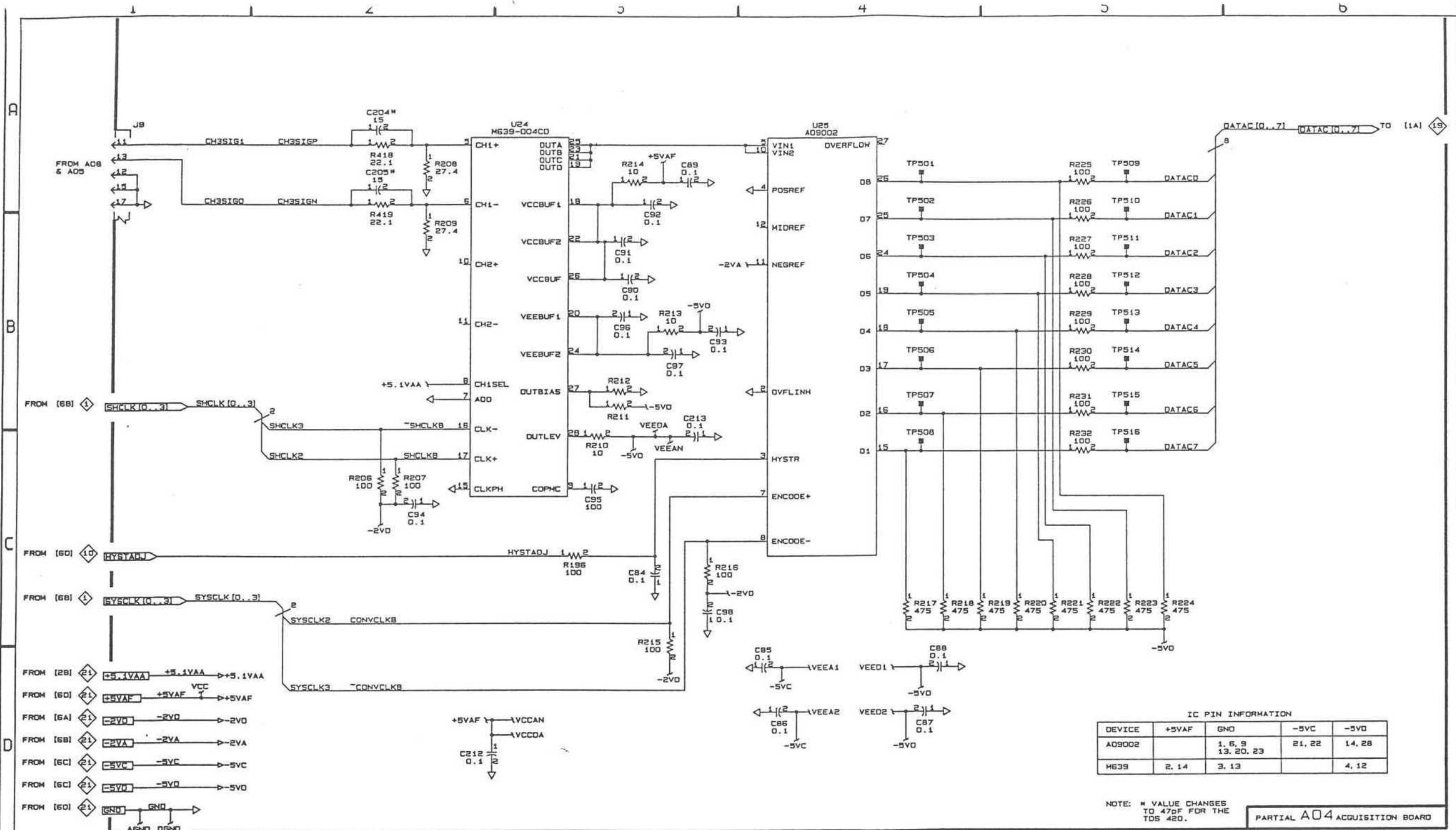


IC PIN INFORMATION

DEVICE	+5VAE	GND	-5VC	-5VD
A09002		1, 6, 9 13, 20, 23	21, 22	14, 28
M639	2, 14	3, 13		4, 12

NOTE: * VALUE CHANGES TO 47pF FOR THE TDS 420.

PARTIAL A04 ACQUISITION BOARD

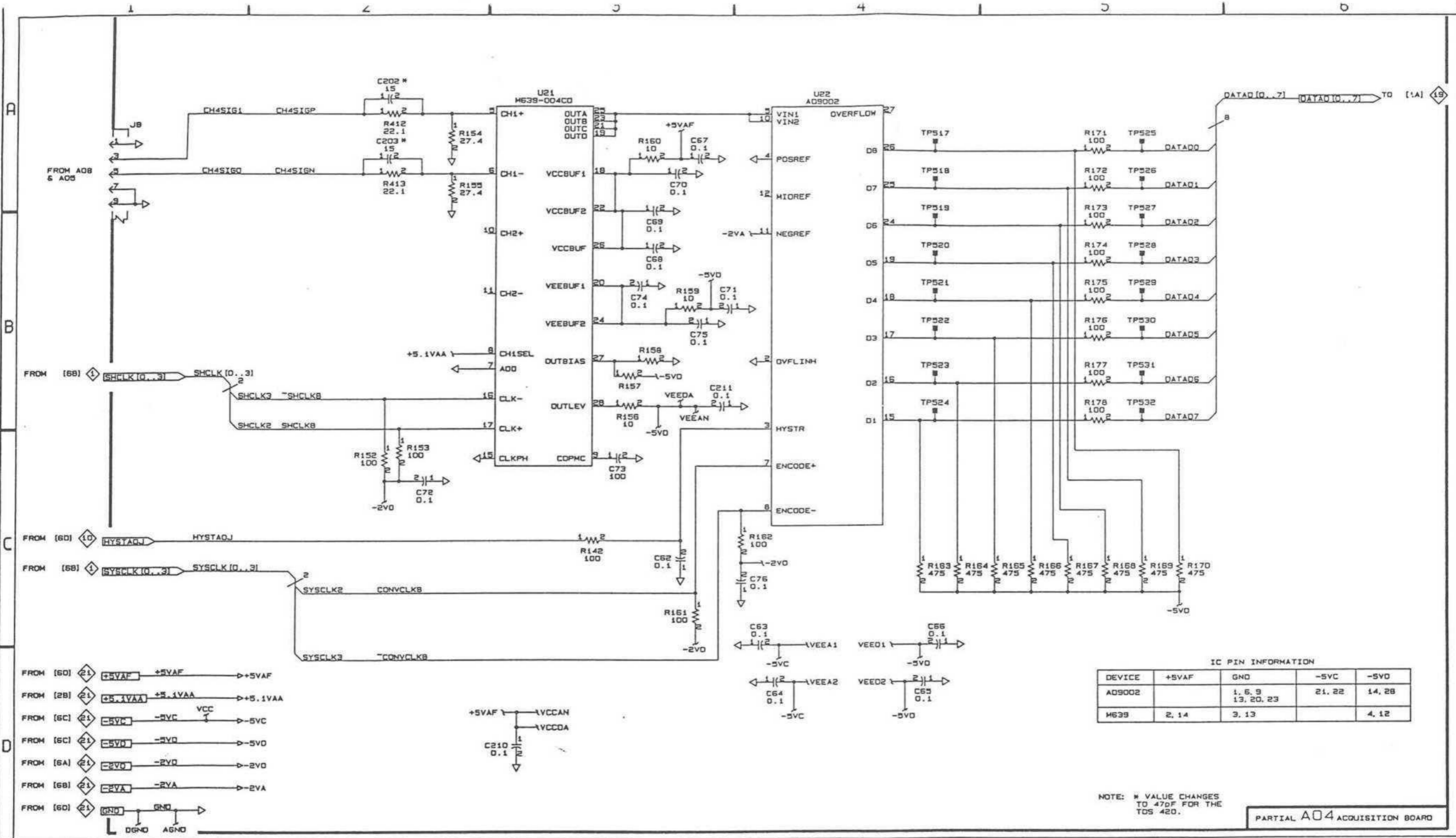


IC PIN INFORMATION

DEVICE	+5VAF	GND	-5VC	-5V0
A09002		1, 5, 9 13, 20, 23	21, 22	14, 28
M639	2, 14	3, 13		4, 12

NOTE: M VALUE CHANGES TO 47pF FOR THE TDS 420.

PARTIAL A04 ACQUISITION BOARD

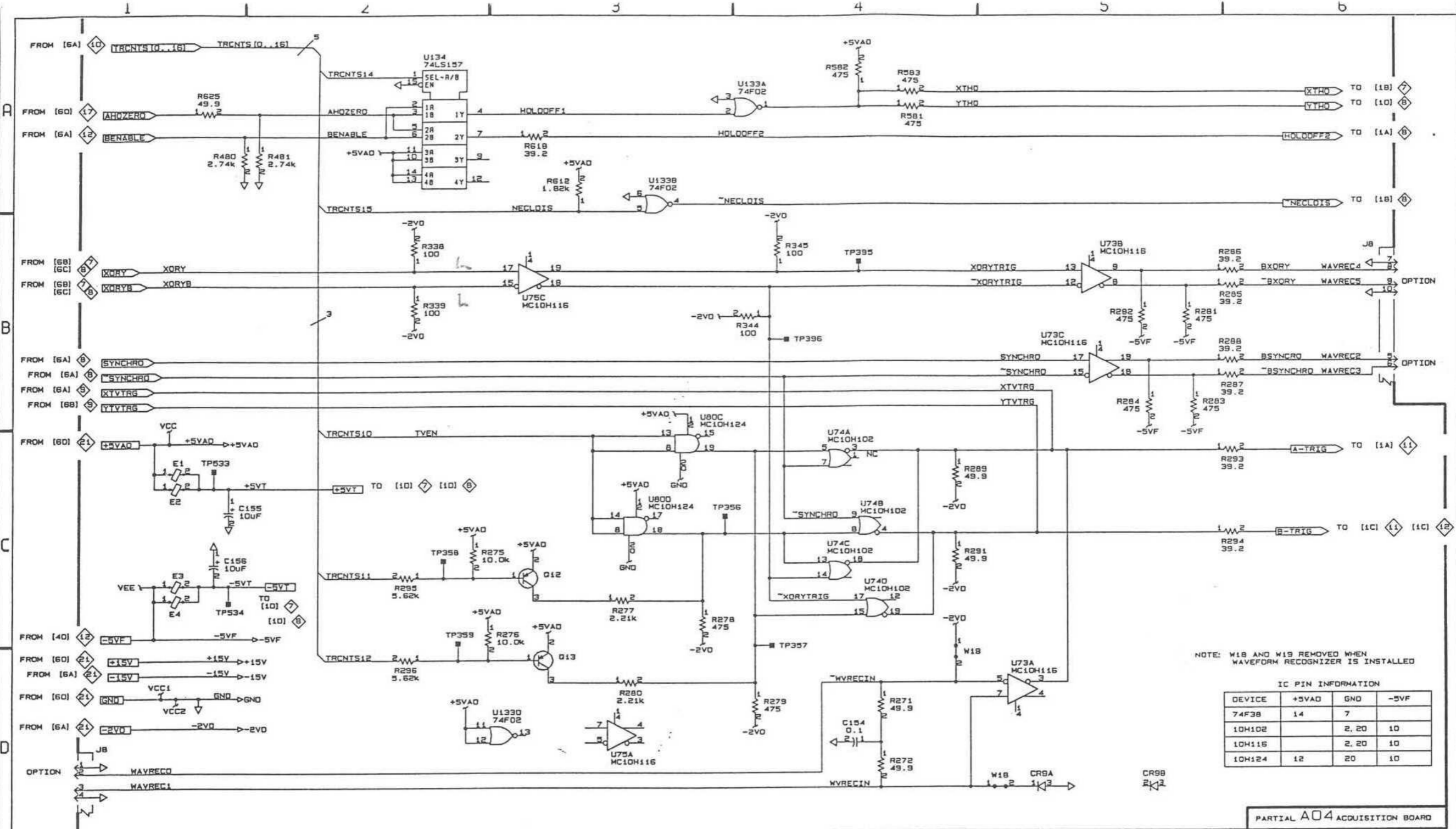


IC PIN INFORMATION

DEVICE	+5VAF	GND	-5V	-5V0
AD9002		1, 6, 9 13, 20, 23	21, 22	14, 28
M639	2, 14	3, 13		4, 12

NOTE: * VALUE CHANGES TO 470PF FOR THE TDS 420.

PARTIAL A04 ACQUISITION BOARD

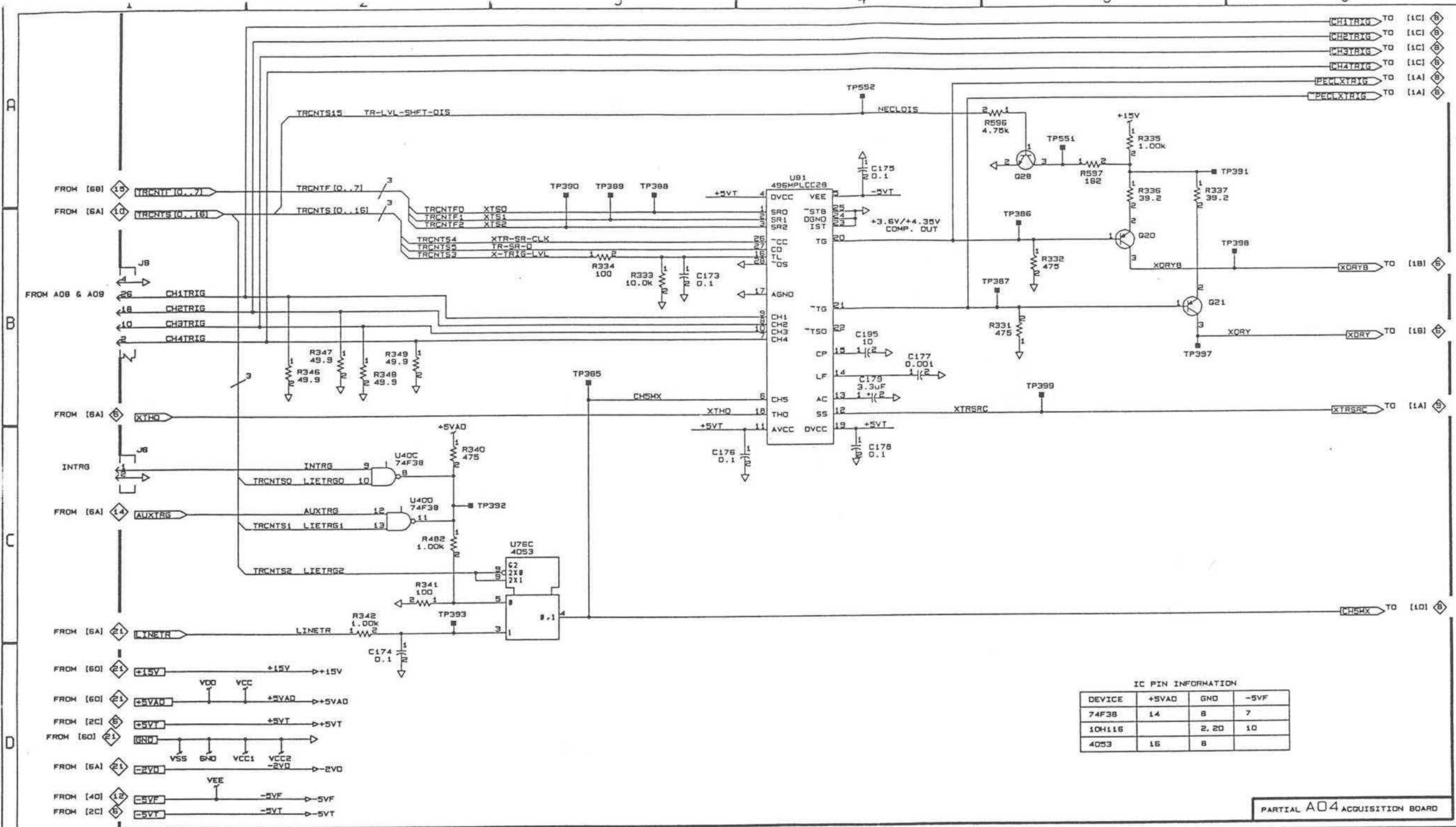


NOTE: W18 AND W19 REMOVED WHEN WAVEFORM RECOGNIZER IS INSTALLED

IC PIN INFORMATION

DEVICE	+5VAD	GND	-5VF
74F38	14	7	
10H102		2, 20	10
10H116		2, 20	10
10H124	12	20	10

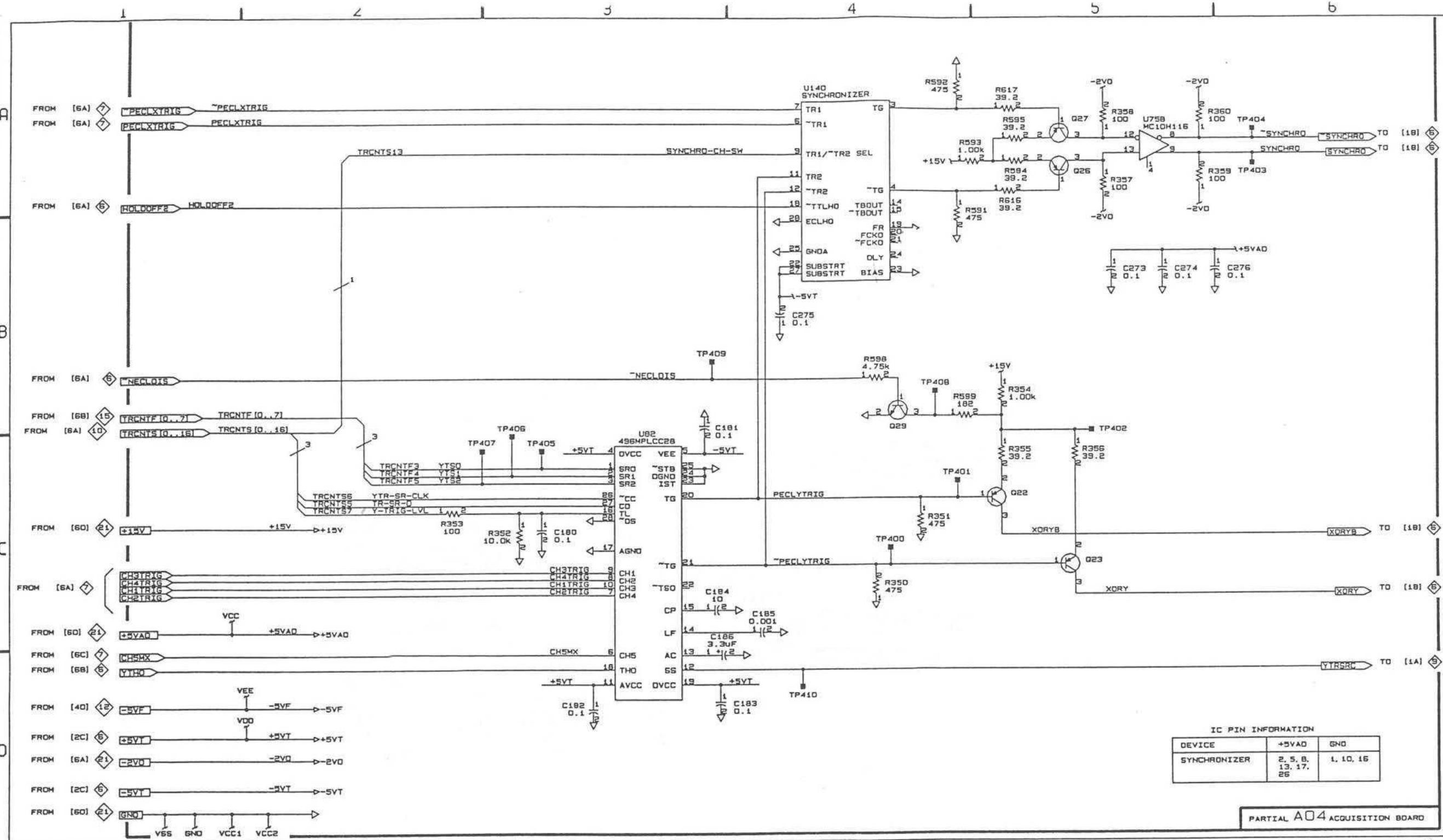
PARTIAL A04 ACQUISITION BOARD



IC PIN INFORMATION

DEVICE	+5VAD	GND	-5VF
74F38	14	8	7
10H116		2, 20	10
4053	15	8	

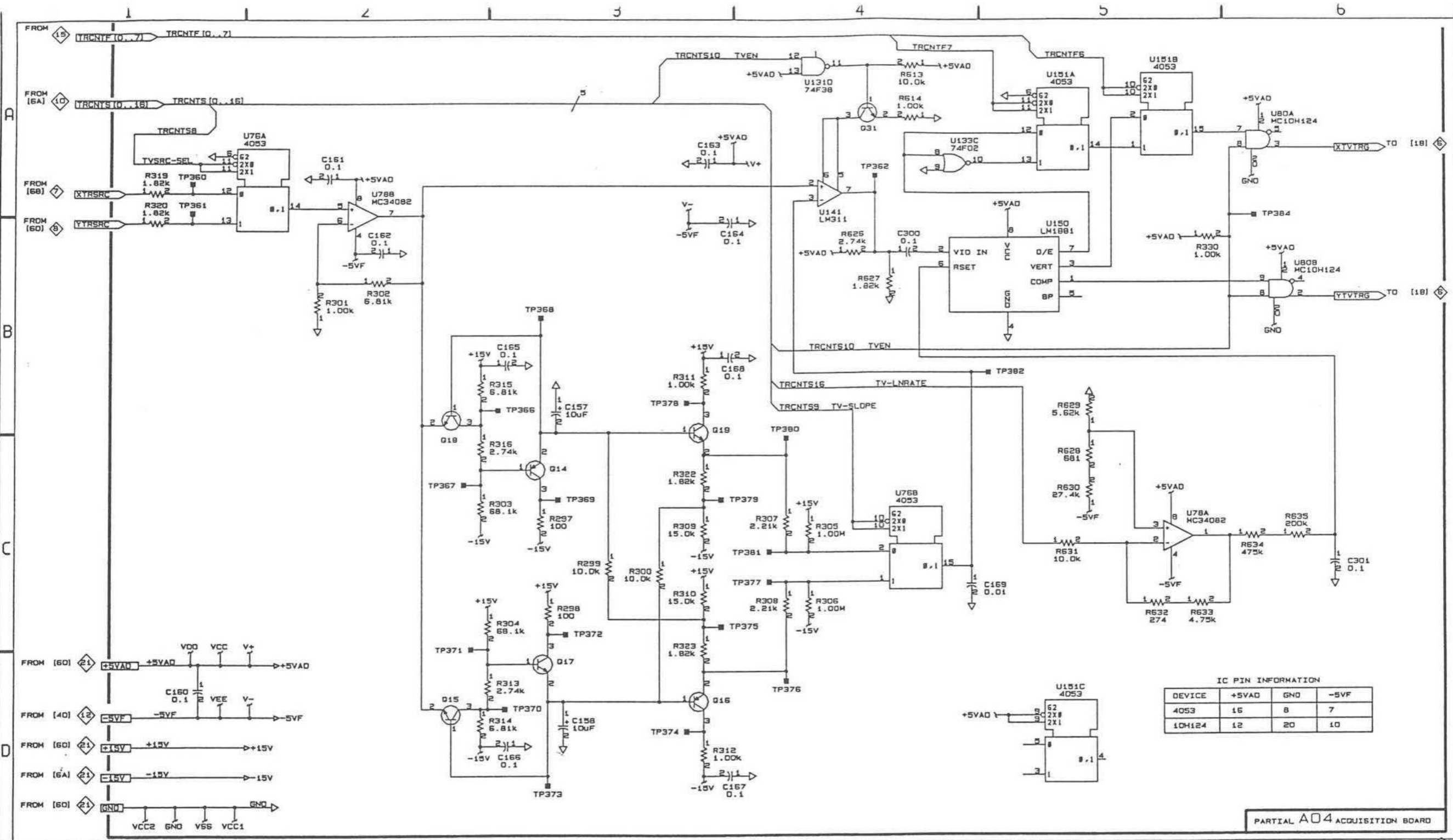
PARTIAL A04 ACQUISITION BOARD



IC PIN INFORMATION

DEVICE	+5VAD	GND
SYNCHRONIZER	2, 5, 8, 13, 17, 26	1, 10, 16

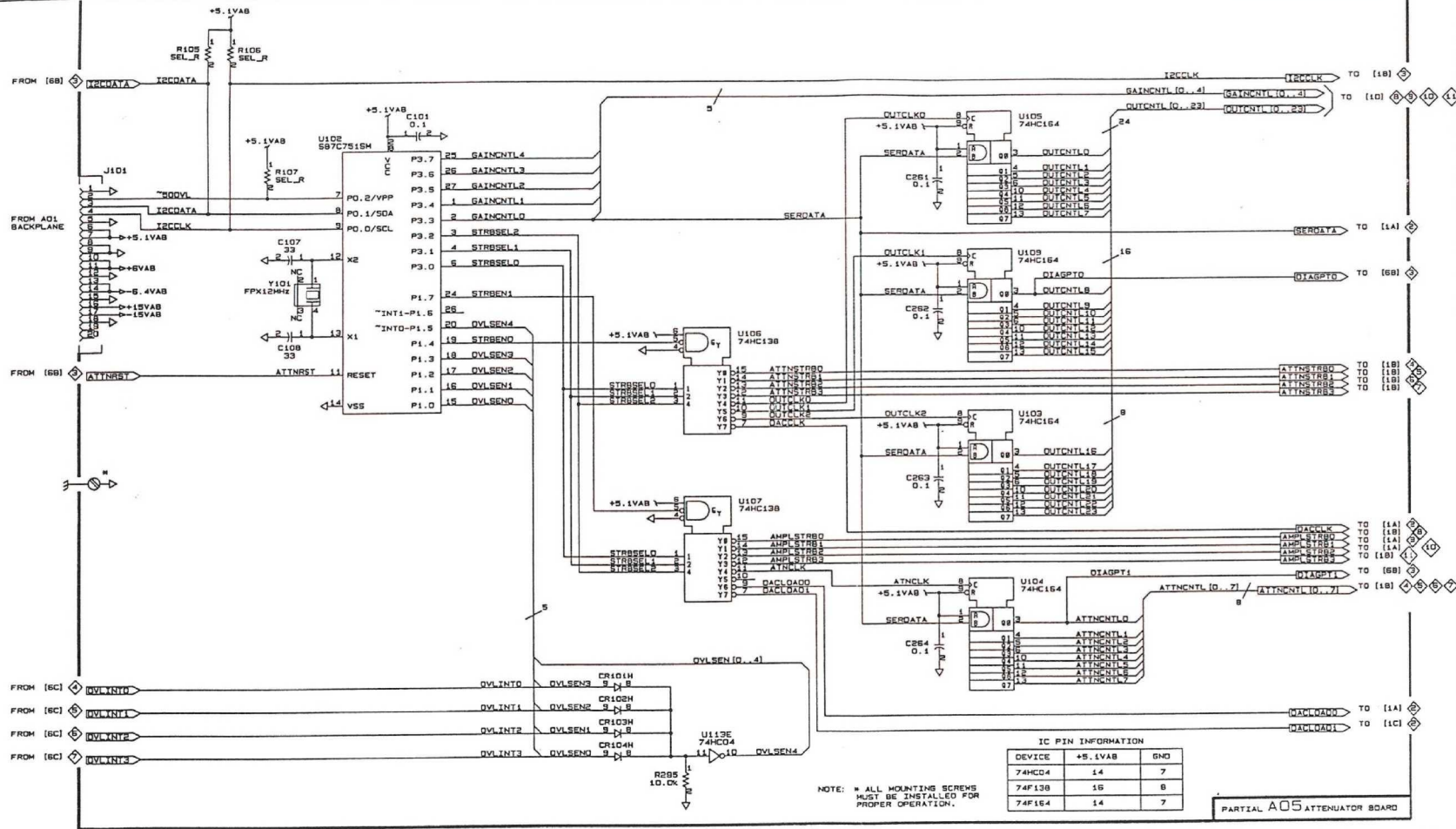
PARTIAL A04 ACQUISITION BOARD



IC PIN INFORMATION

DEVICE	+5VAD	GND	-5VF
4053	16	8	7
10H124	12	20	10

PARTIAL A04 ACQUISITION BOARD

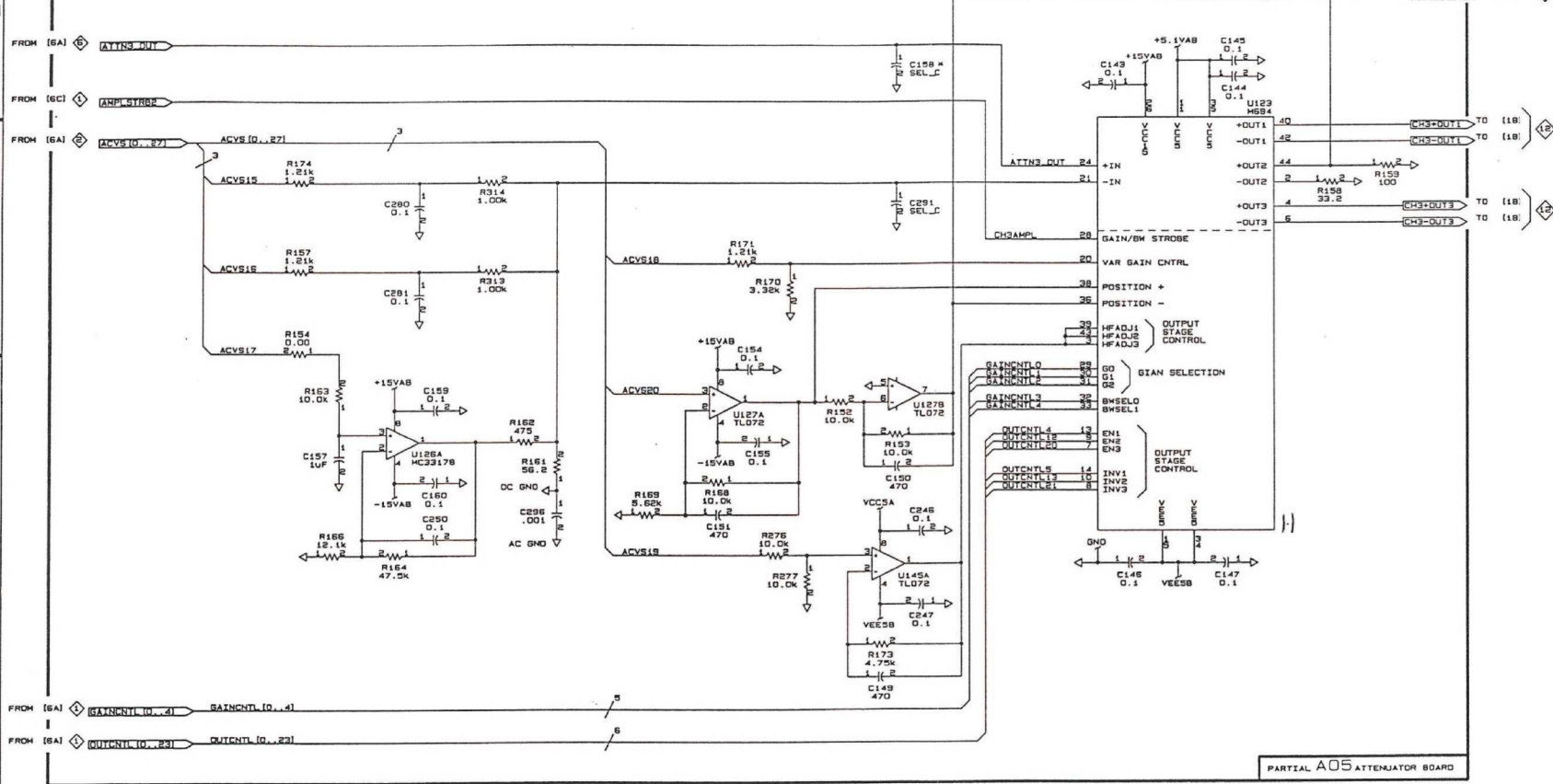


IC PIN INFORMATION

DEVICE	+5.1VAB	GND
74HC04	14	7
74F138	16	8
74F164	14	7

NOTE: * ALL MOUNTING SCREWS MUST BE INSTALLED FOR PROPER OPERATION.

PARTIAL A05 ATTENUATOR BOARD

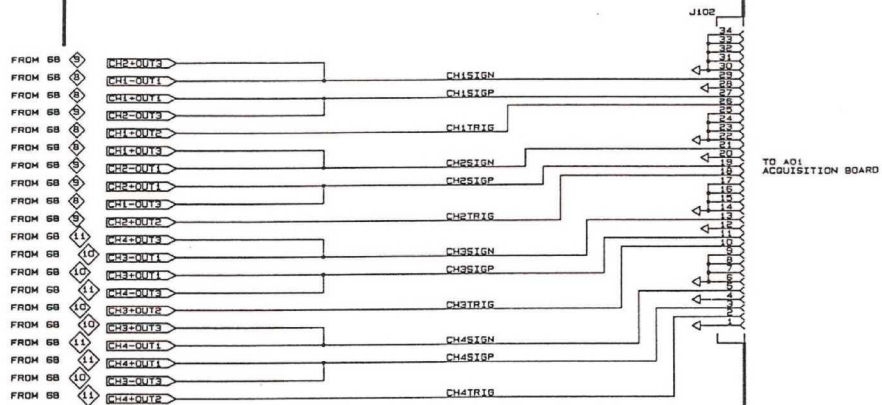


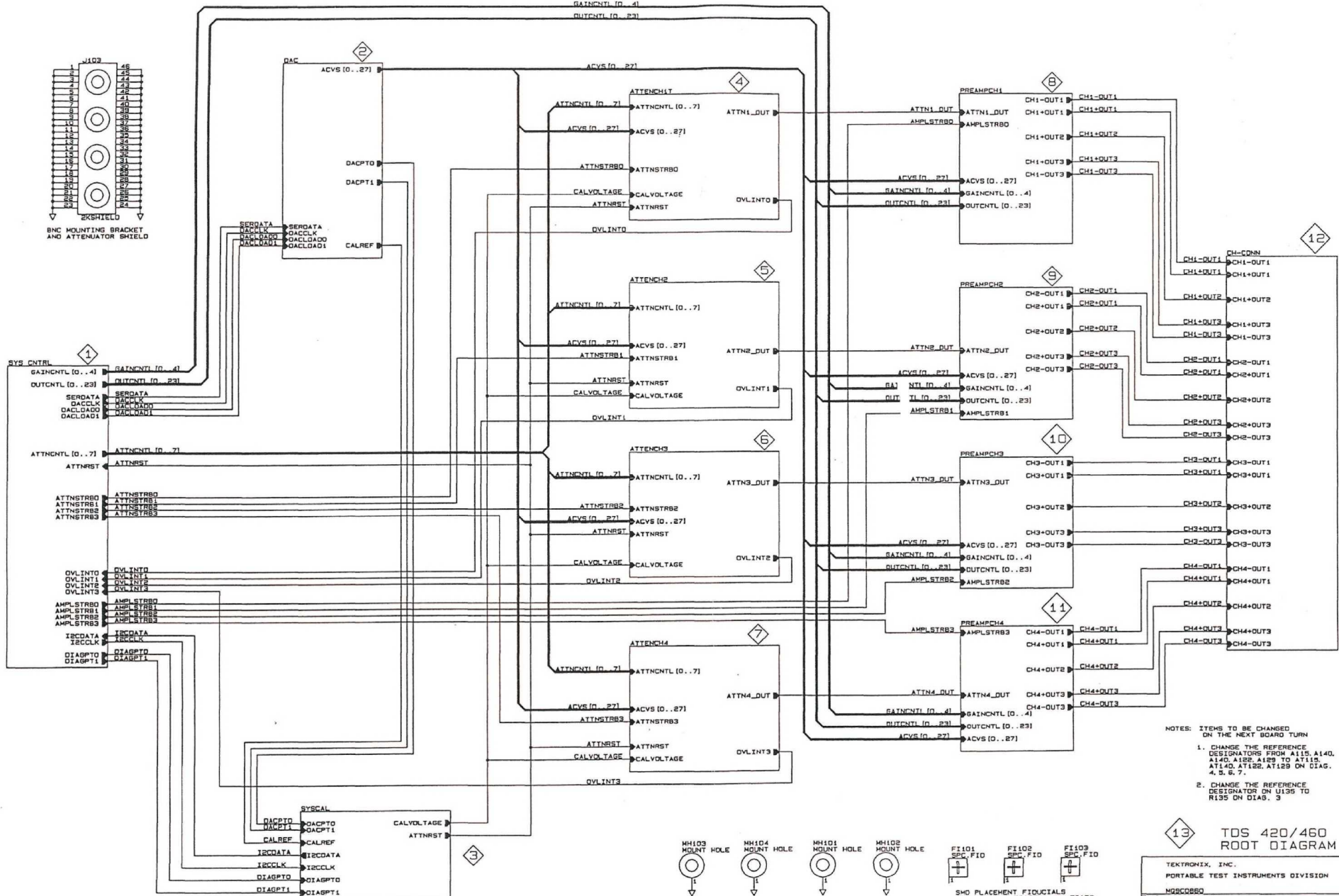
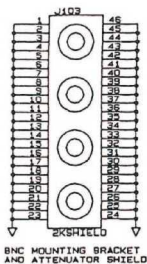
A

B

C

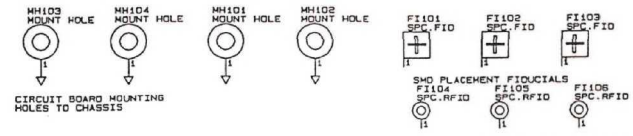
D





- NOTES: ITEMS TO BE CHANGED ON THE NEXT BOARD TURN
1. CHANGE THE REFERENCE DESIGNATORS FROM A115, A140, A142, A122, A123 TO T115, A114Q, A122, A123 ON DIAG. 4, 5, 6, 7.
 2. CHANGE THE REFERENCE DESIGNATOR ON U135 TO R135 ON DIAG. 3

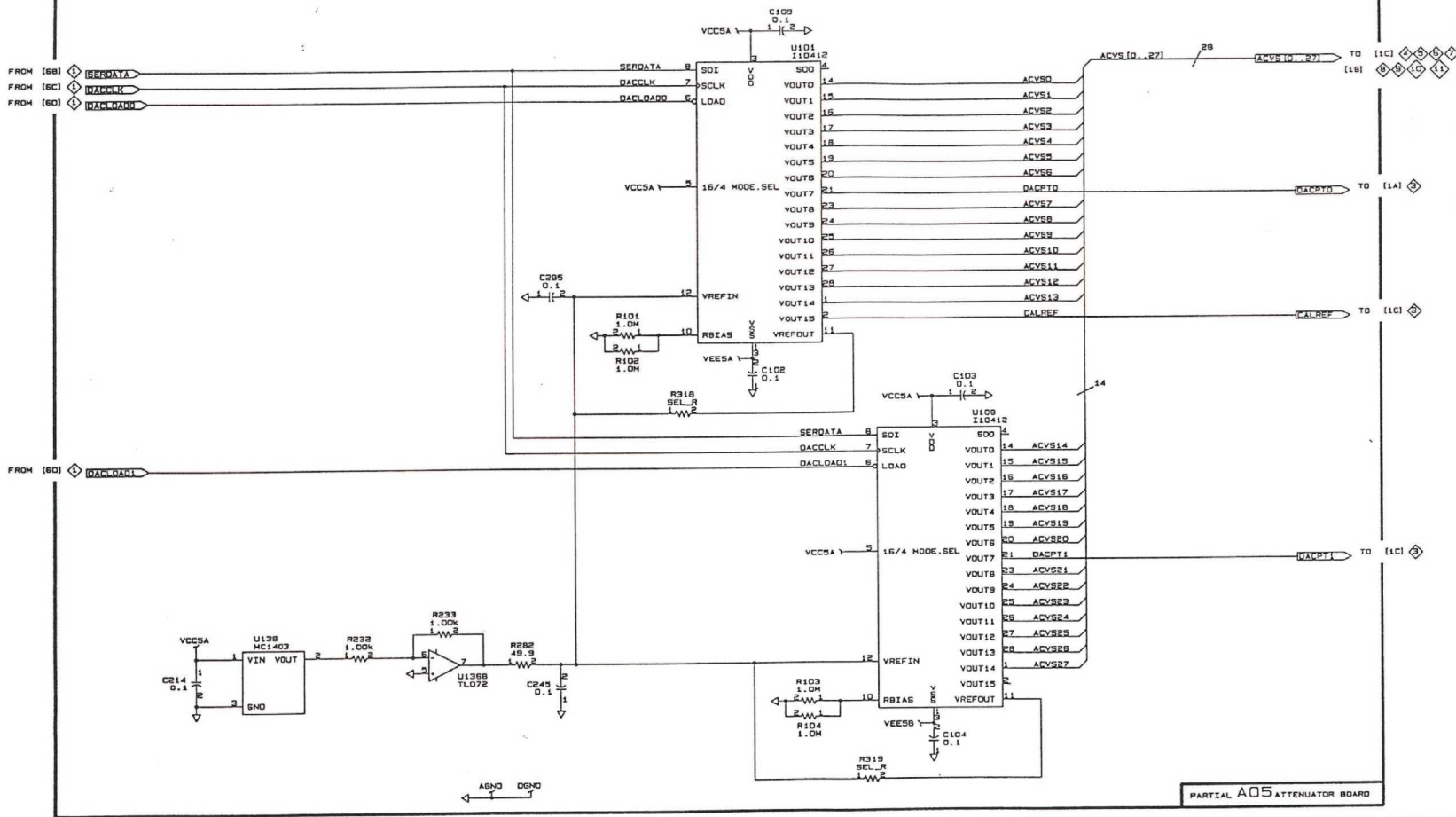
13 TDS 420/460 ROOT DIAGRAM

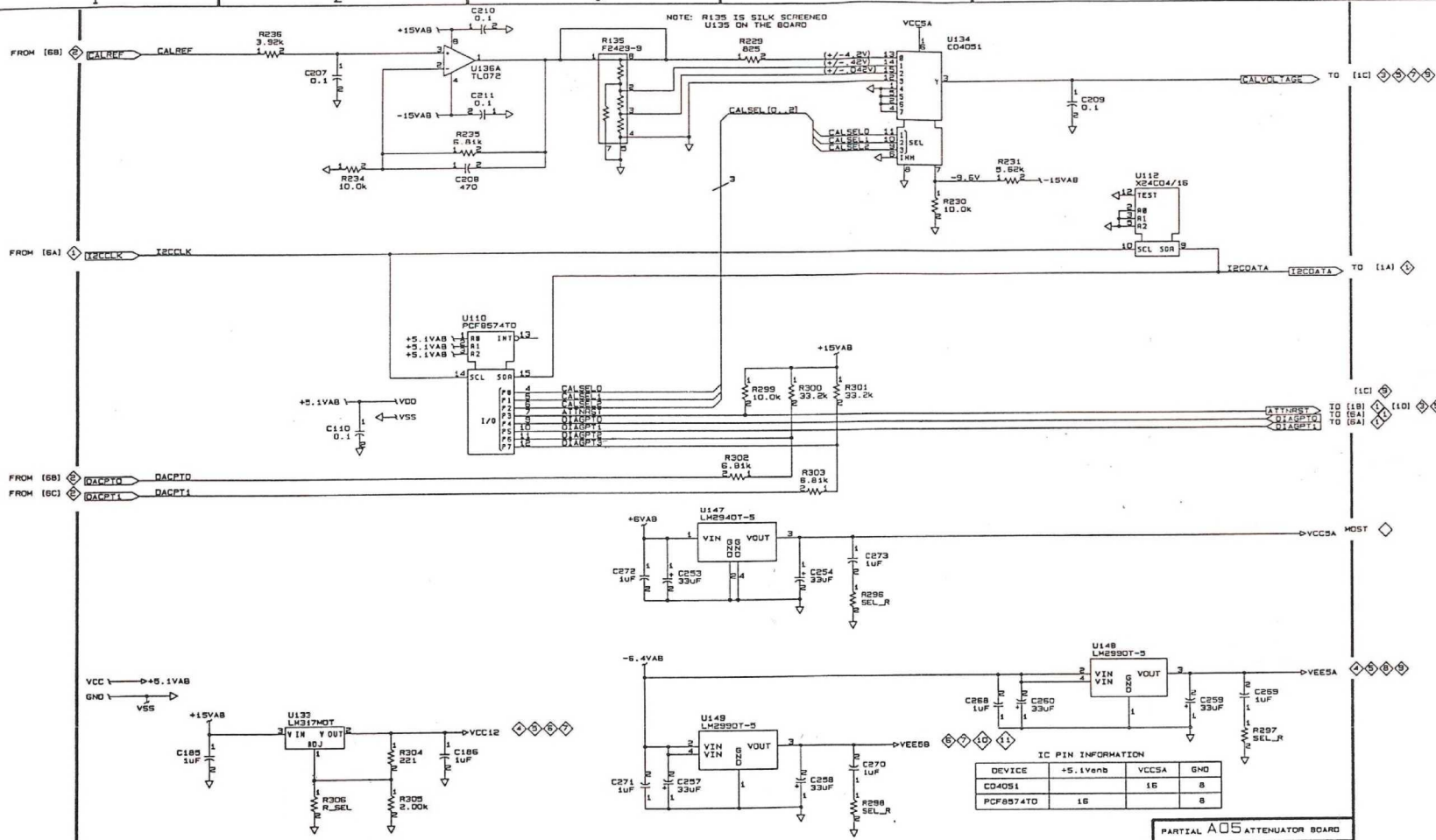


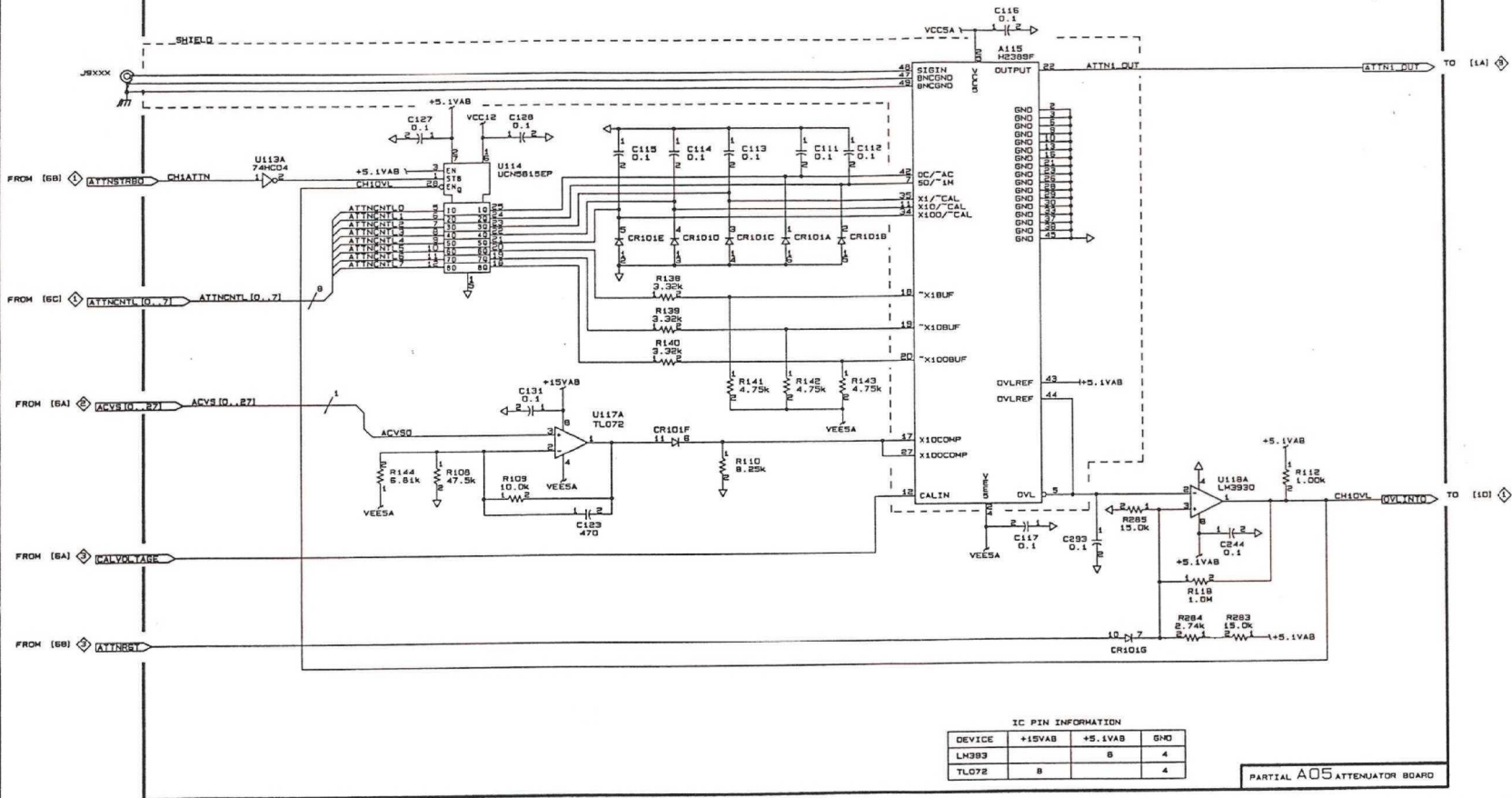
TEKTRONIX, INC.
PORTABLE TEST INSTRUMENTS DIVISION

M5SC08B0

T1111 2K500 4-CHANNEL ATTENUATOR ECB - M5SC08B0
 Size Document Number
 C M5SC08B0 - 4 CHAN ATTEN TOP SHEET REV D
 Date: AUGUST 14, 1991 Edwnt 13 07 13



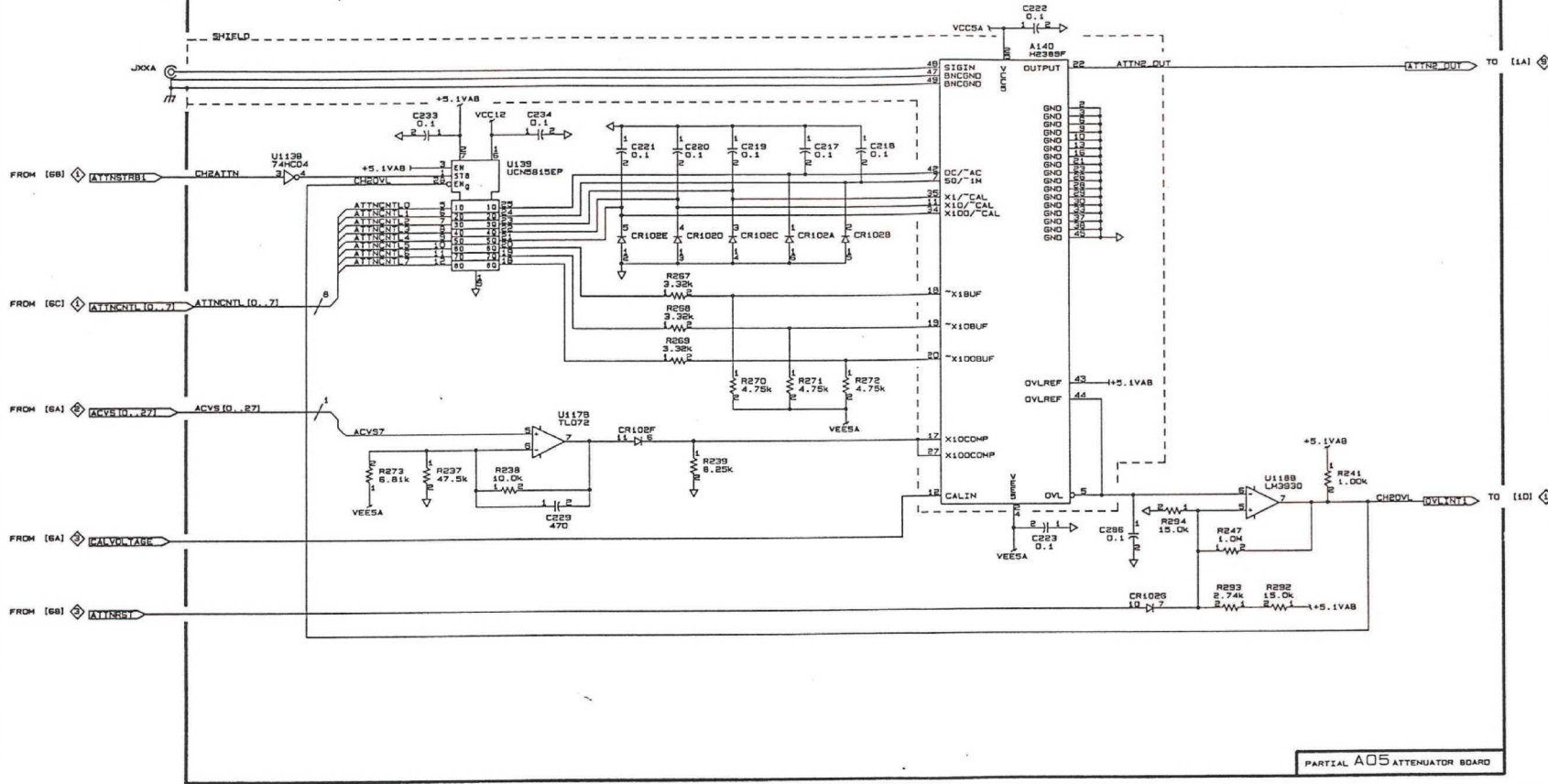




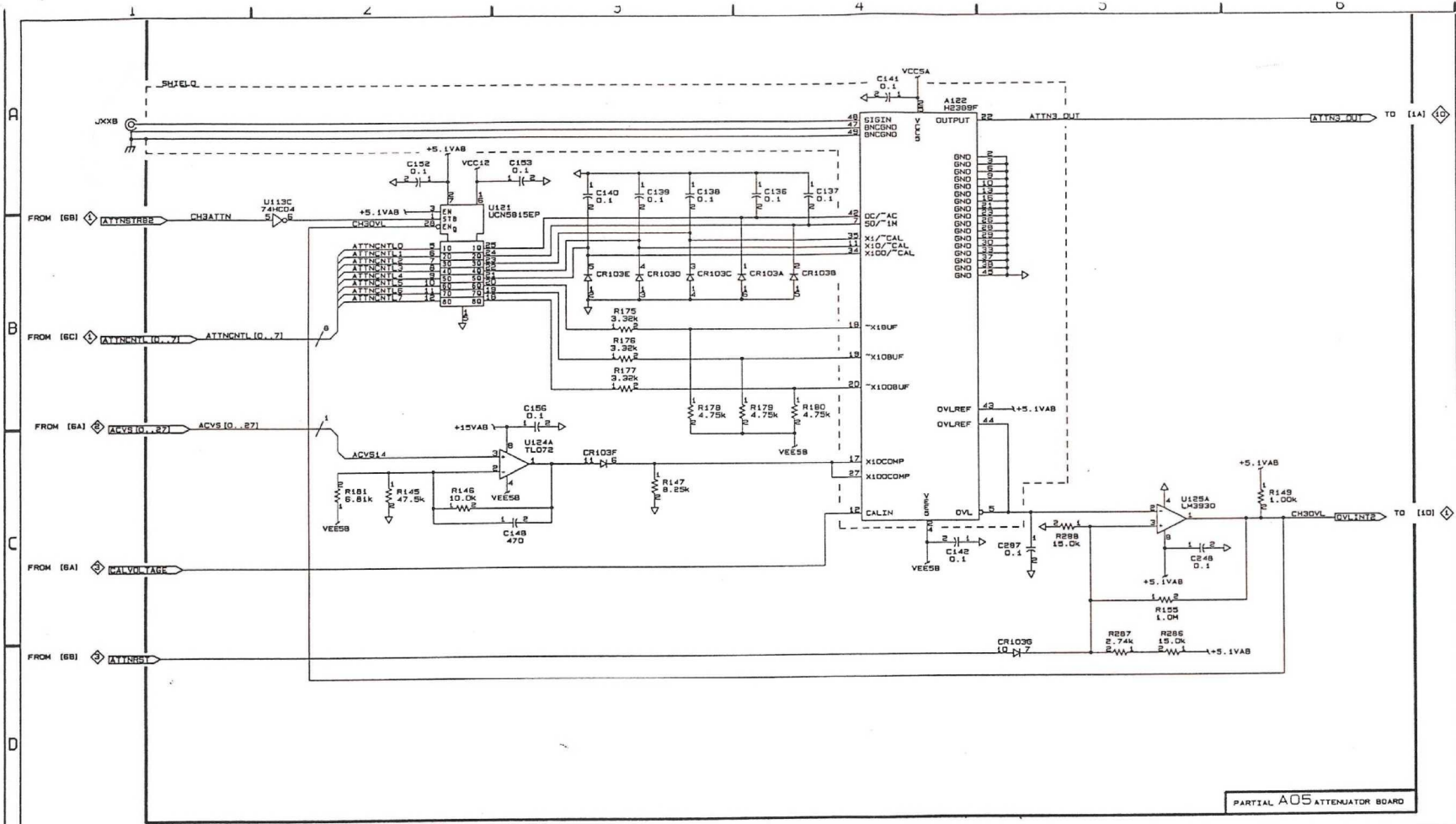
IC PIN INFORMATION

DEVICE	+15VAB	+5.1VAB	GND
LH393		8	4
TL072	8		4

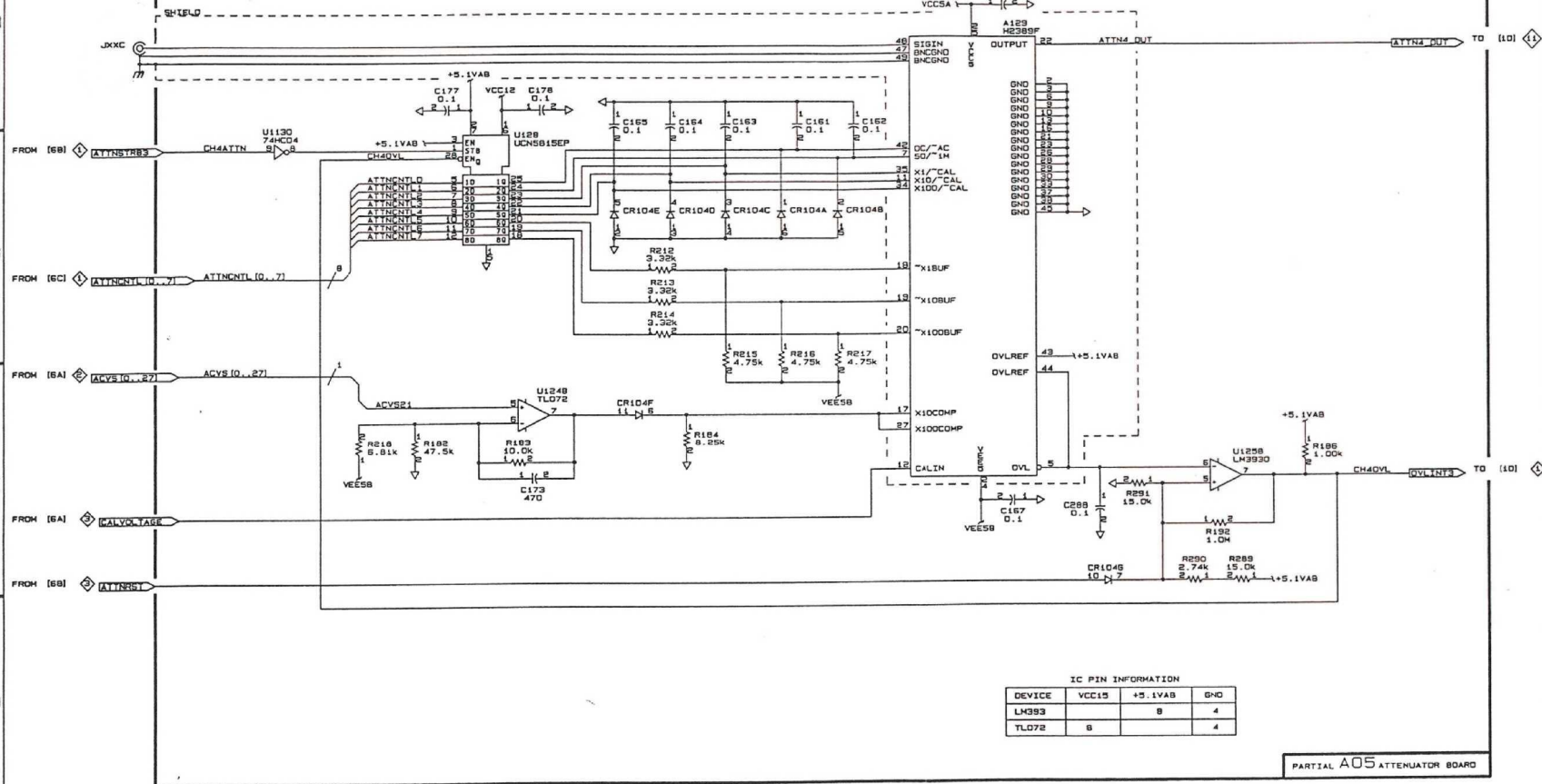
PARTIAL A05 ATTENUATOR BOARD



PARTIAL A05 ATTENUATOR BOARD



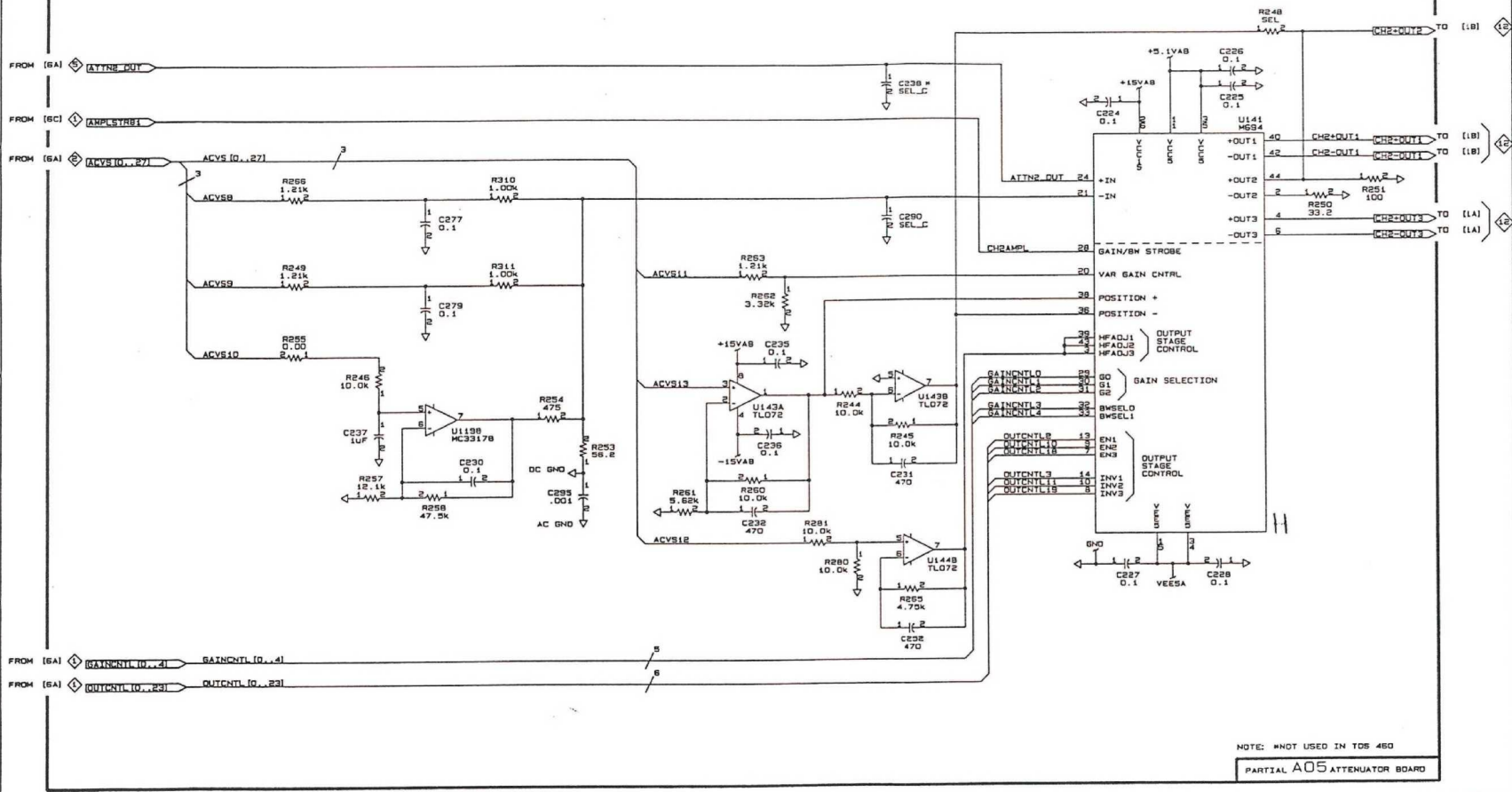
PARTIAL A05 ATTENUATOR BOARD

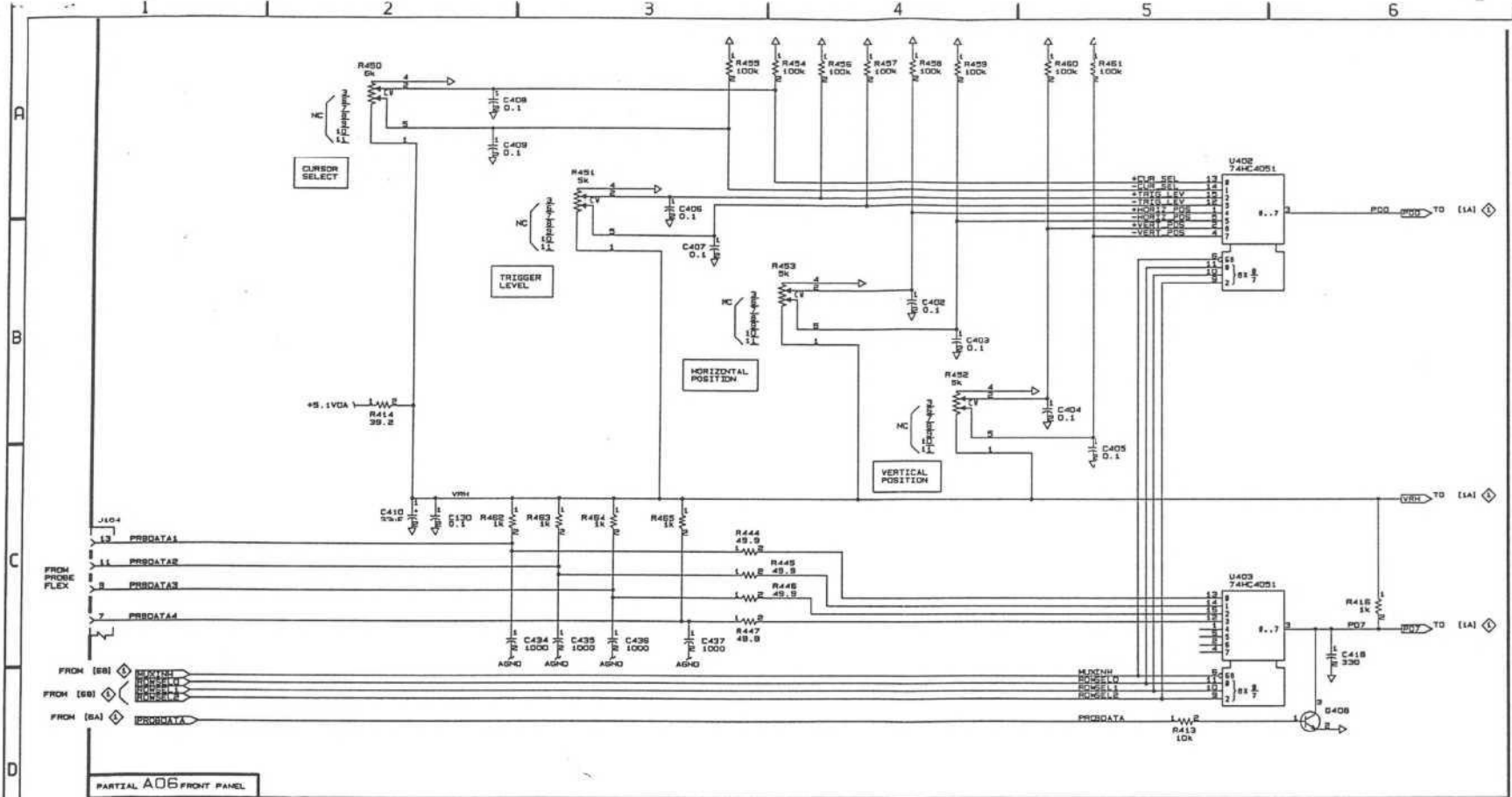


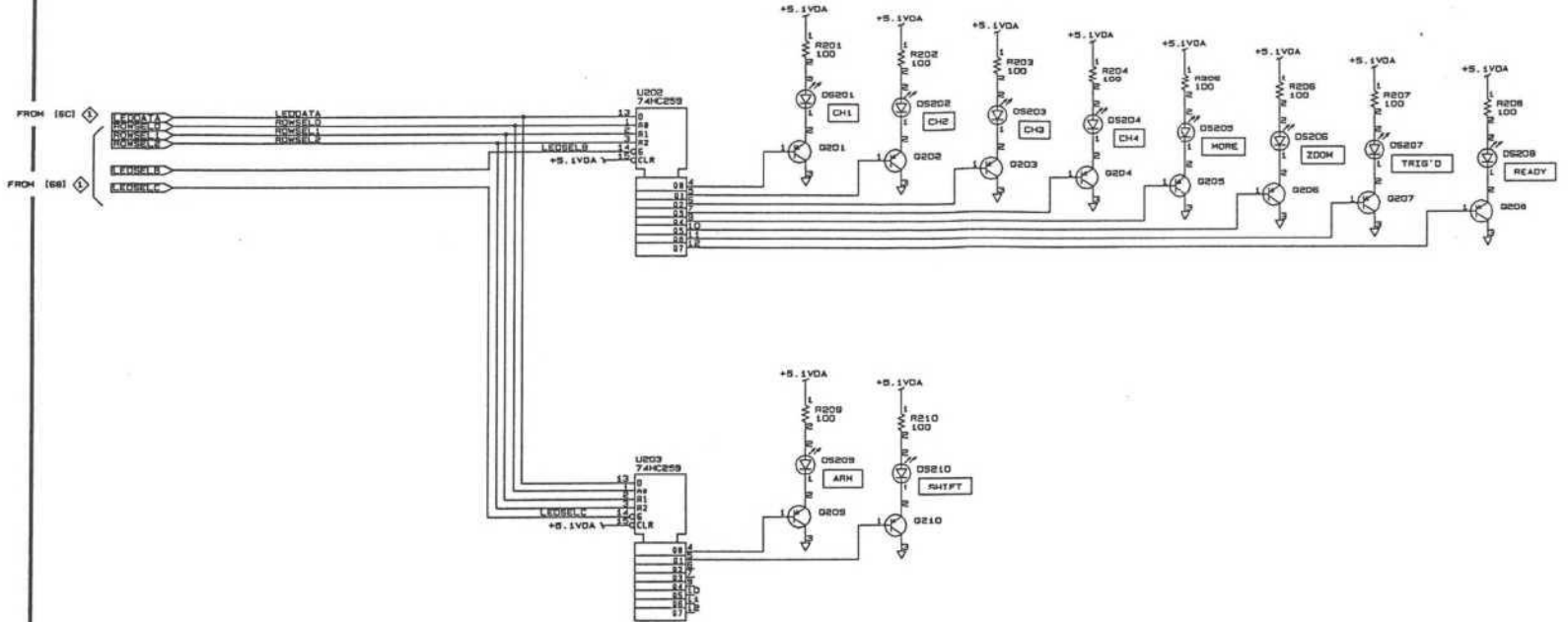
IC PIN INFORMATION

DEVICE	VCC15	+5.1VAB	GN0
LH393		8	4
TL072	8		4

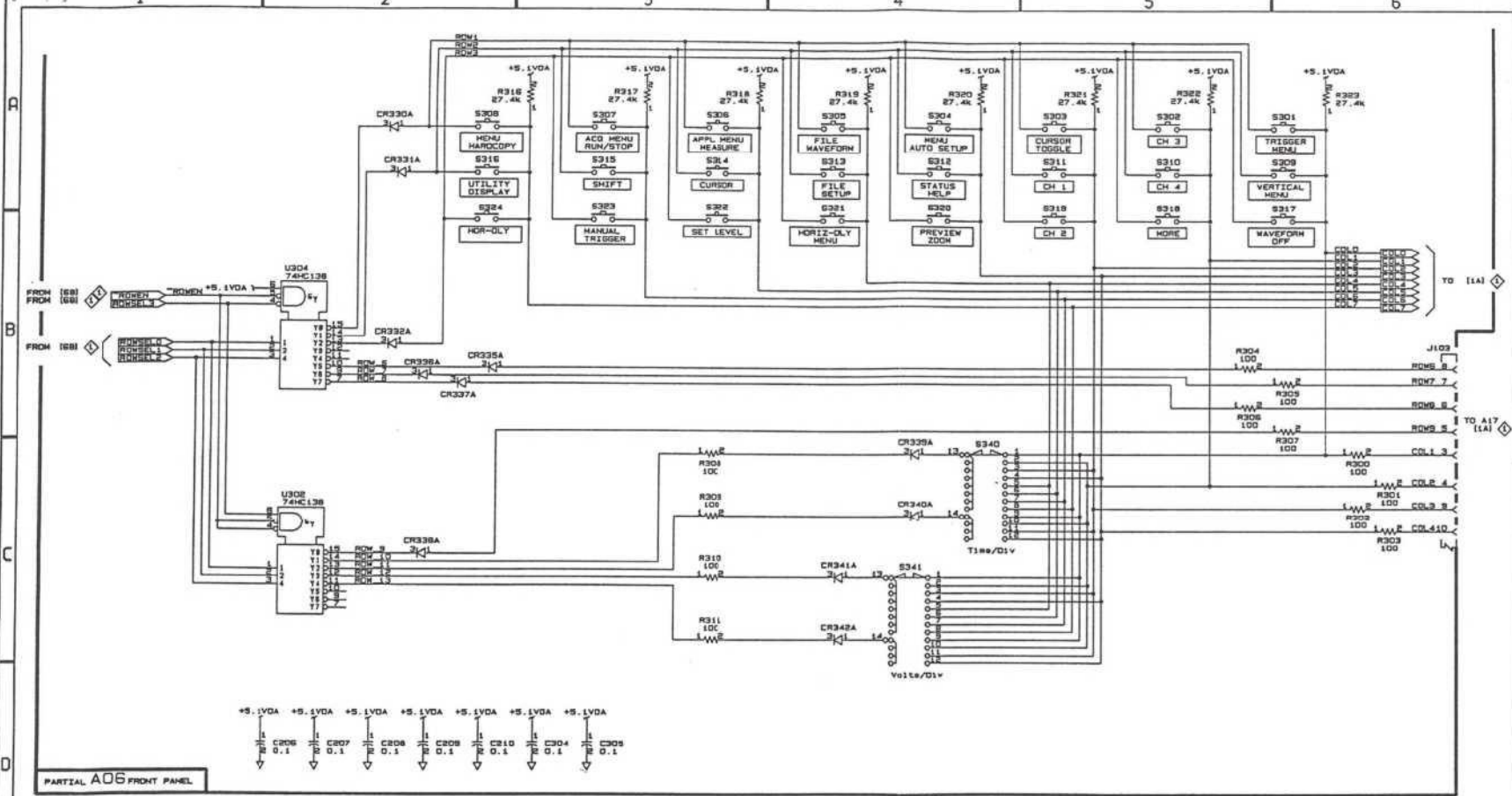
PARTIAL A05 ATTENUATOR BOARD



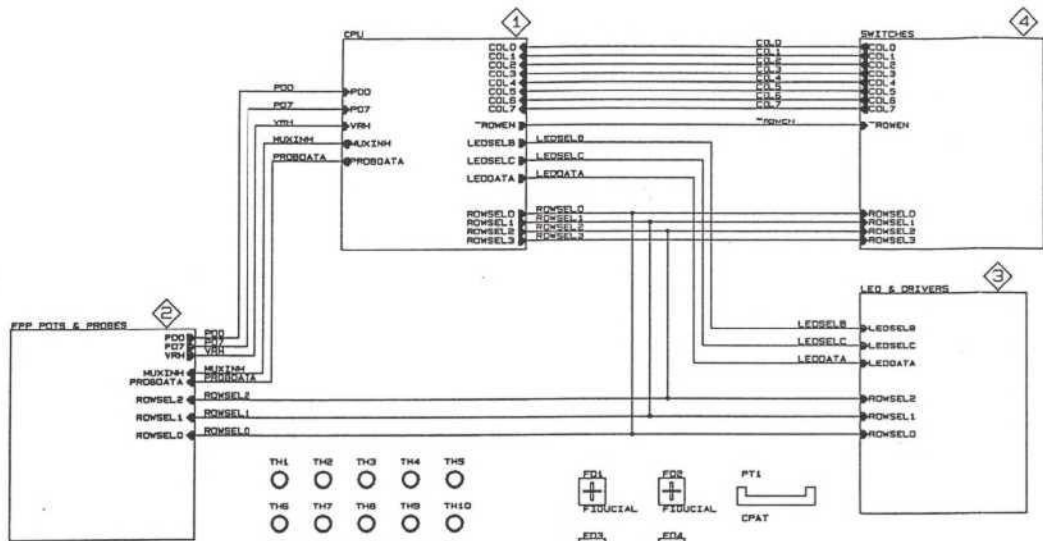




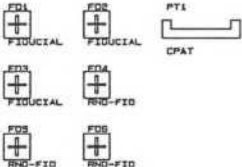
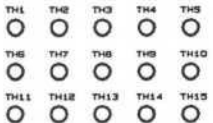
PARTIAL A06 FRONT PANEL



PARTIAL A06 FRONT PANEL

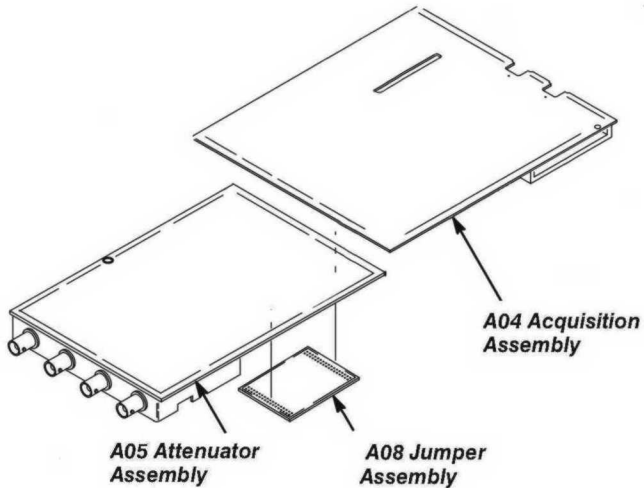
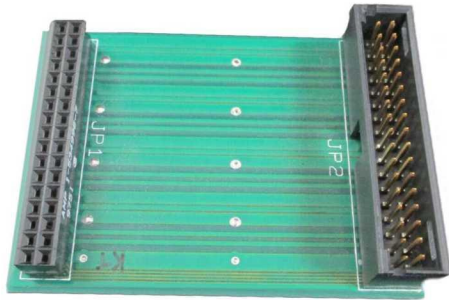


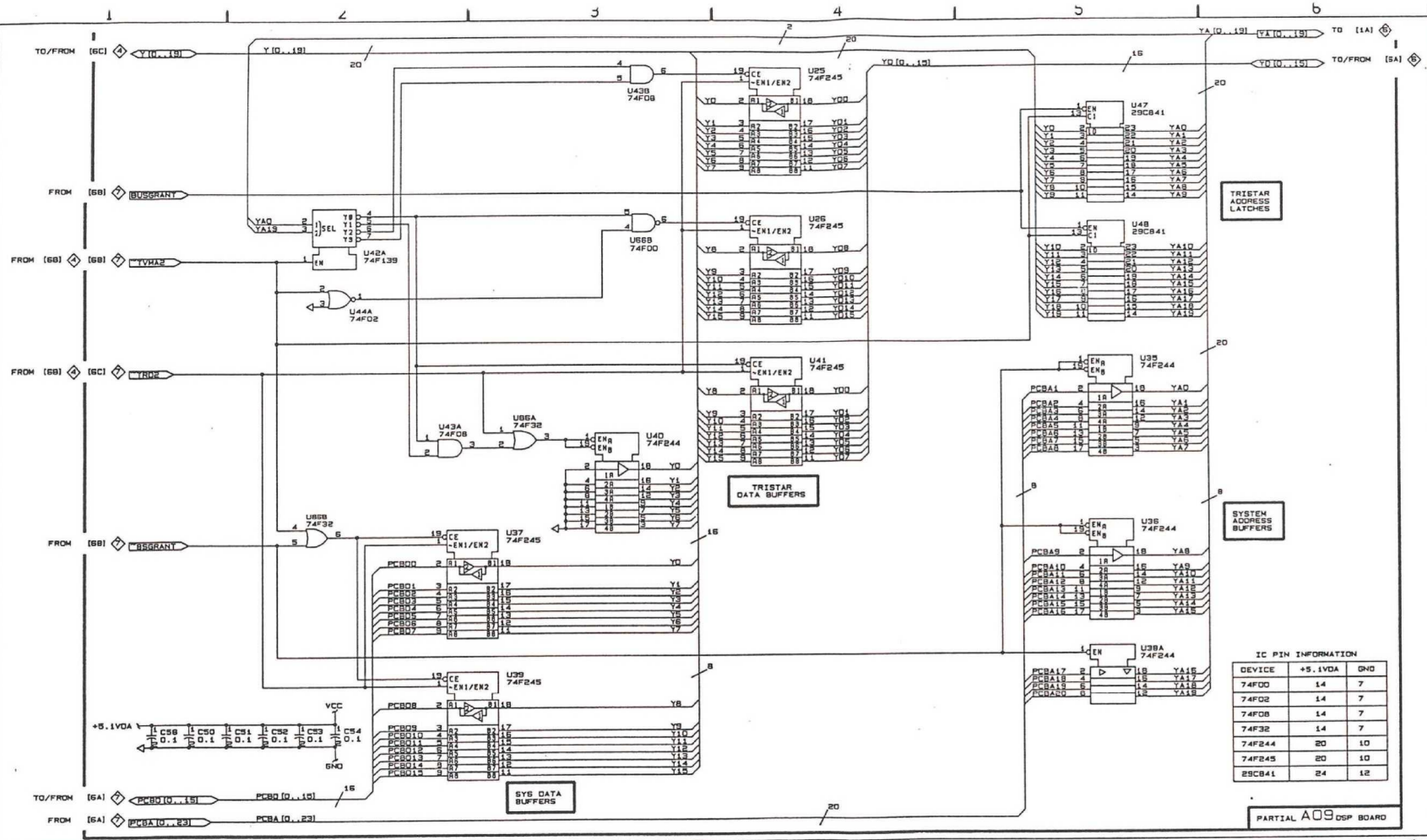
RESISTORS R110-R112 SET VERSION NUMBER
THIS IS VERSION 3. VOLTAGE IS 0.791 VOLTS



MG9C0861
ROOT SHEET

VERSION #	VOLTAGE	R111/R112
1	0.598 V	38.3
2	0.465 V	103.4
3	0.781 V	185.2
4	1.023 V	880.0
5	1.106 V	393.3
6	1.119 V	523.0
7	2.031 V	684.2
8	2.244 V	882.4
9	2.456 V	1.133K
10	2.909 V	1.468K
11	3.281 V	1.809K
12	3.994 V	2.556K
13	3.905 V	3.571K
14	4.219 V	5.400K
15	4.431 V	9.687K
16	4.844 V	31.000K





TRISTAR ADDRESS LATCHES

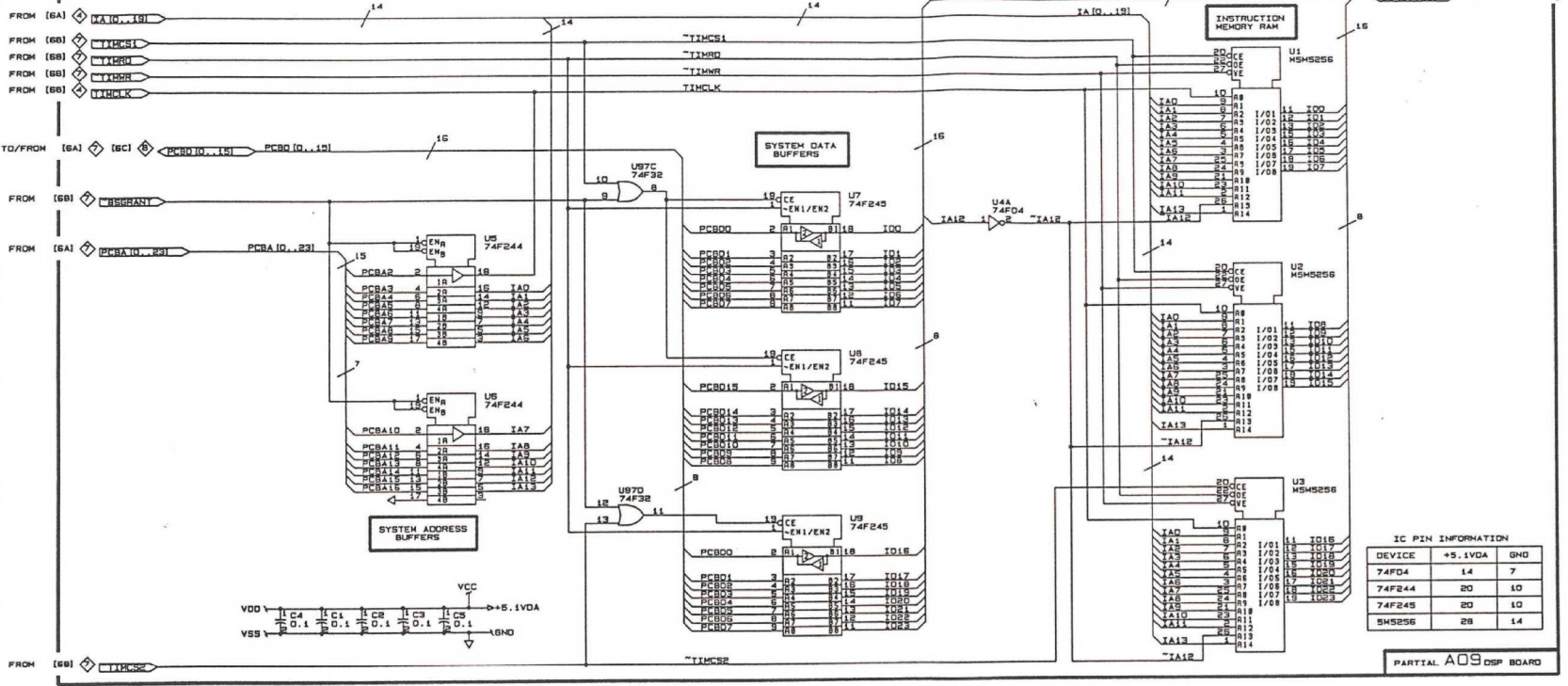
TRISTAR DATA BUFFERS

SYSTEM ADDRESS BUFFERS

IC PIN INFORMATION

DEVICE	+5.1VDA	GND
74F00	14	7
74F02	14	7
74F08	14	7
74F32	14	7
74F244	20	10
74F245	20	10
29CB41	24	12

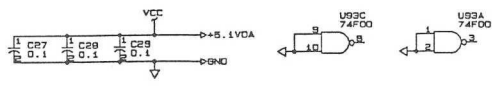
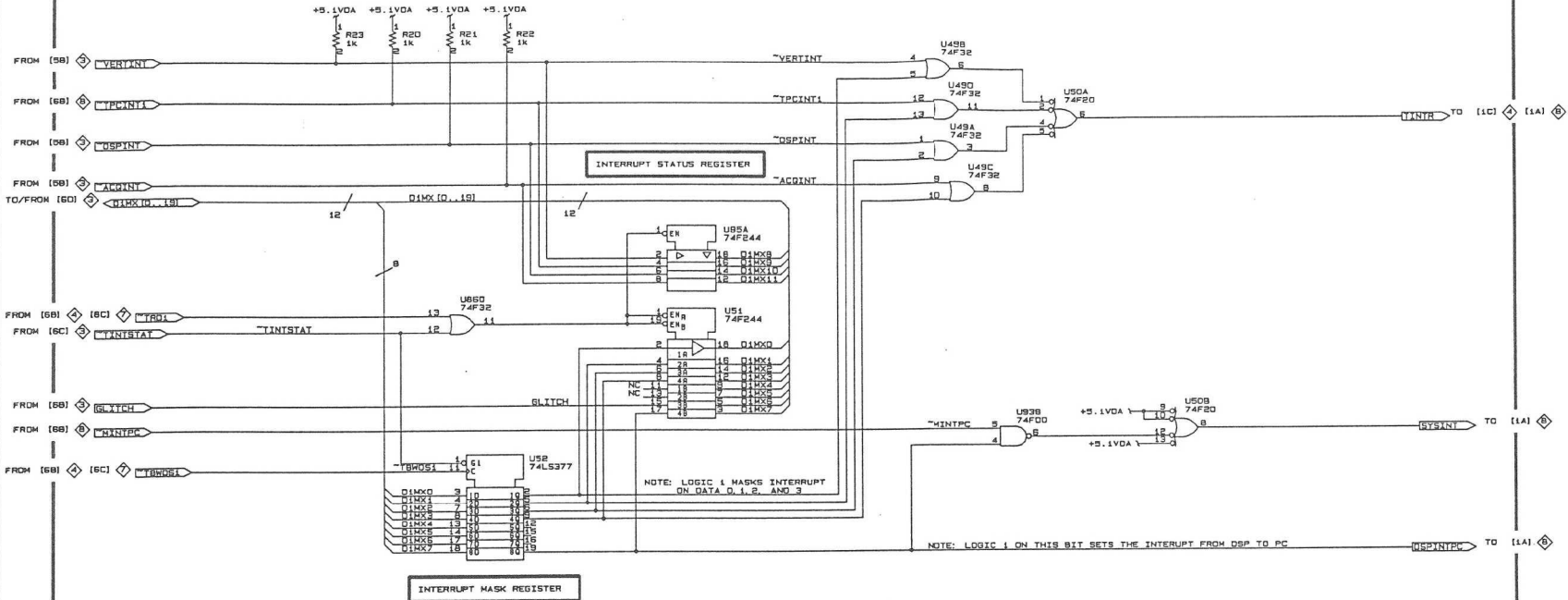
PARTIAL AOS DSP BOARD



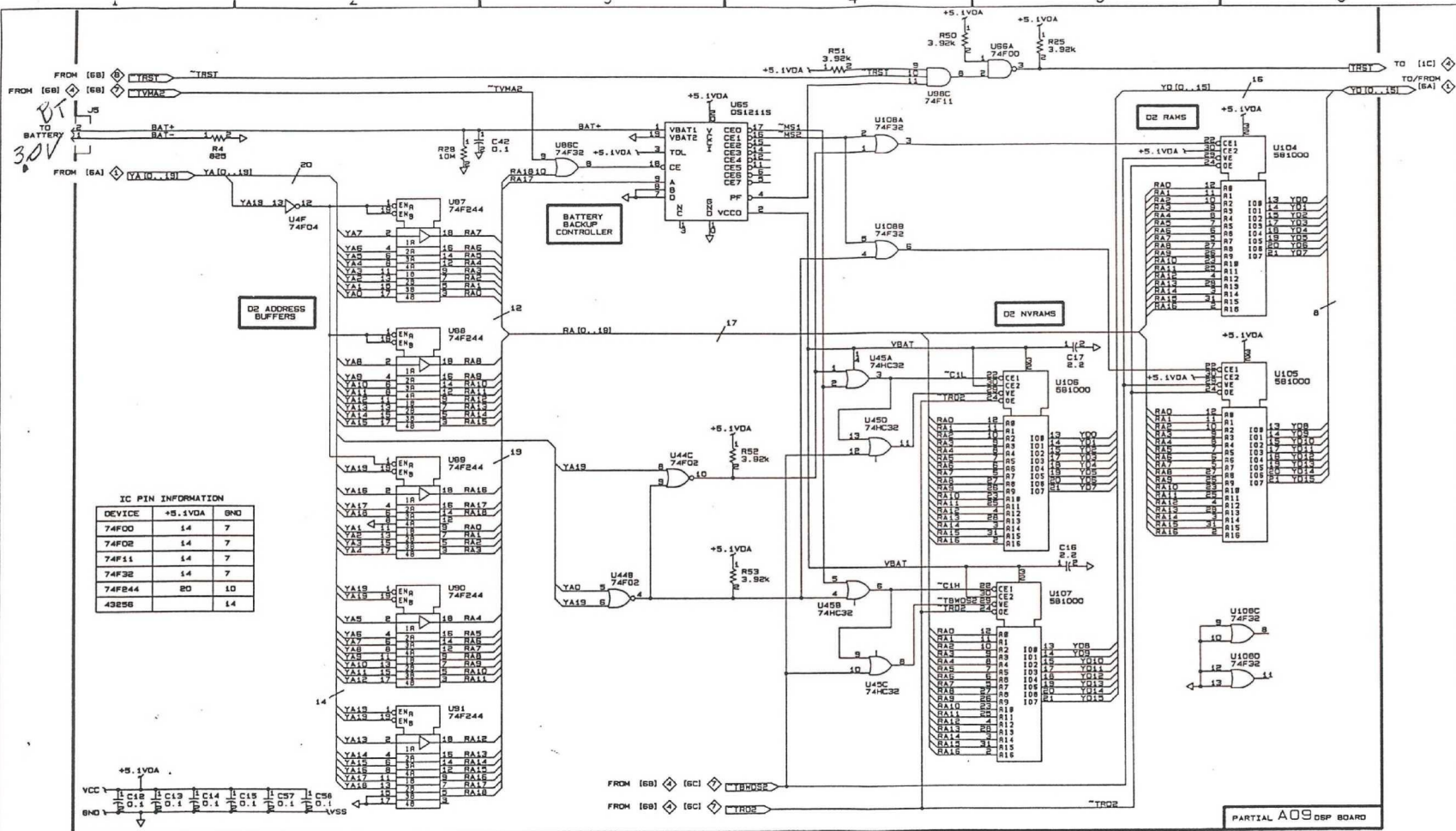
IC PIN INFORMATION

DEVICE	+5.1VDA	GND
74F244	14	7
74F245	20	10
5M5256	28	14

PARTIAL A09 DSP BOARD



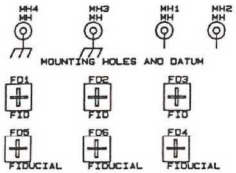
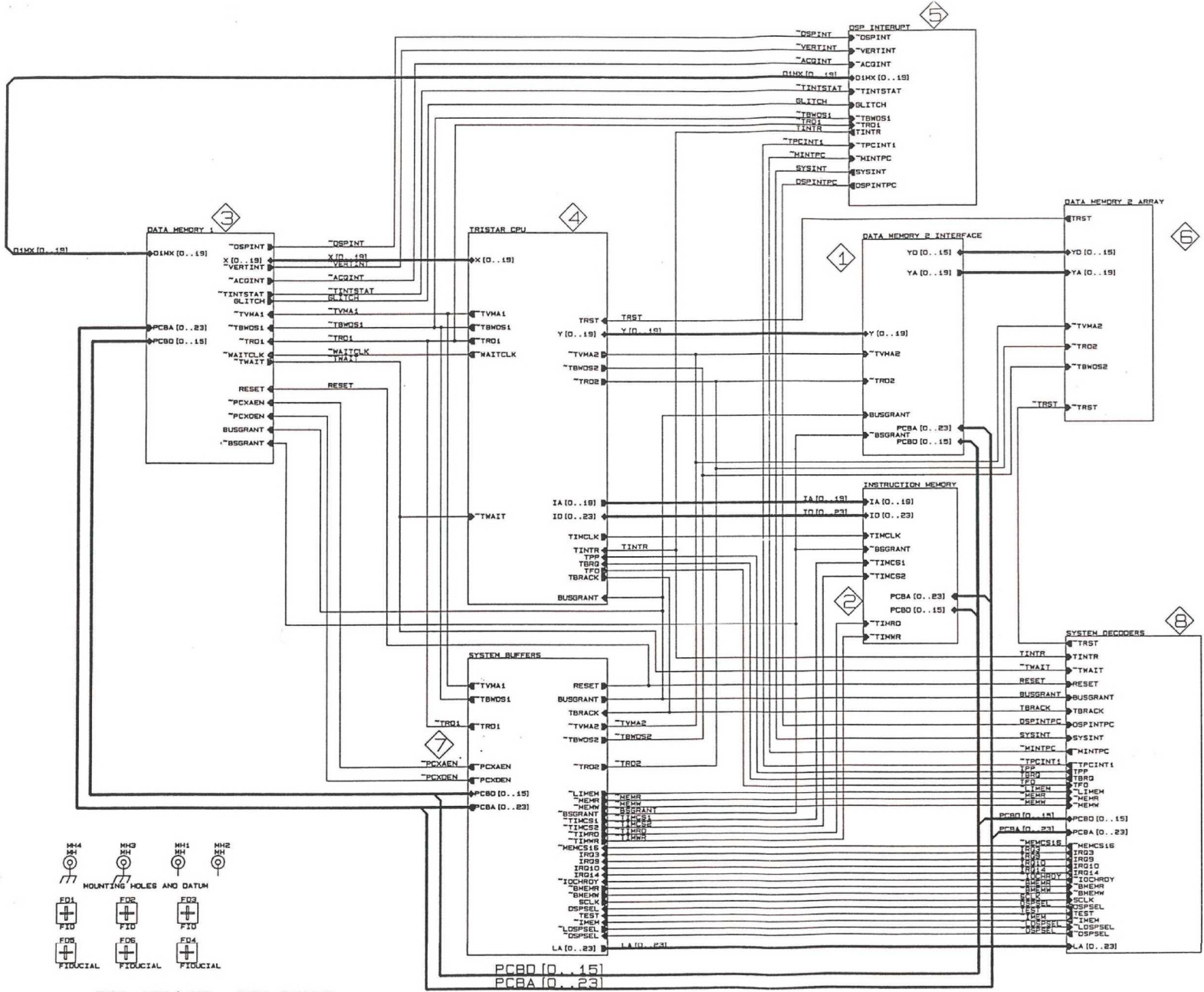
PARTIAL A09 DSP BOARD



PARTIAL A09 DEP BOARD

IC PIN INFORMATION

DEVICE	+5.1VDA	GND
74F00	14	7
74F02	14	7
74F11	14	7
74F32	14	7
74F24	20	10
43256	14	14

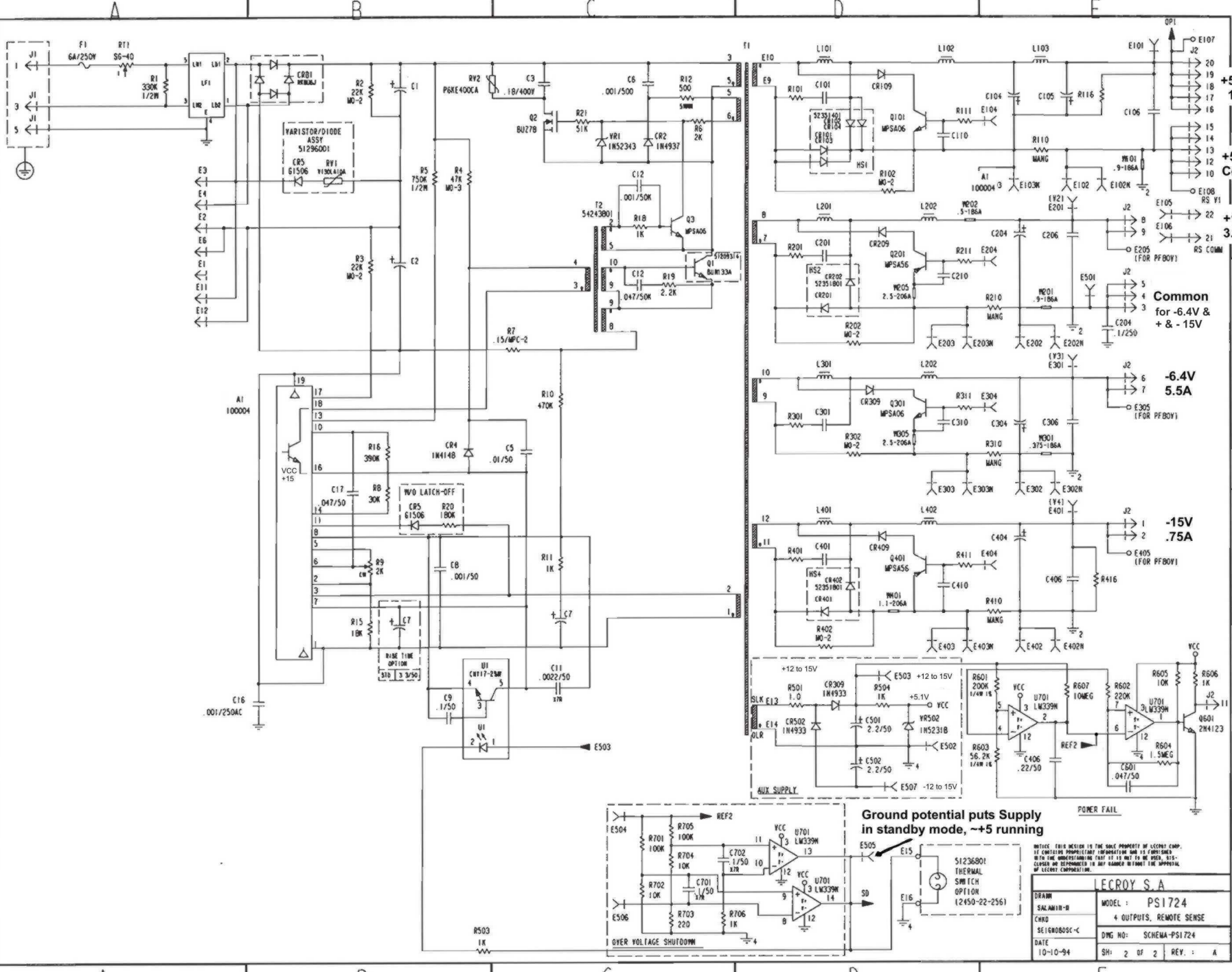


TOS 420/460 DSP BOARD

MQ980858
ROOT SHEET
Version 7, Surface Mount

TEKTRONIX, INC
PTIO ENGINEERING
BEAVERTON, OR
MQ980858

Title		2K50 DSP BOARD--BLOCK	
Size	Document Number	REV	5
C	MQ980858		
Date:	June 16, 1991	Sheet	9 of 9



+5.1V
15A

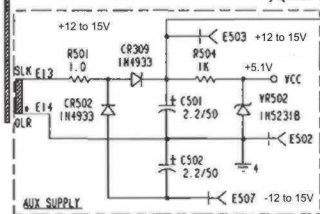
+5.1V
Com

+15V
3.5A

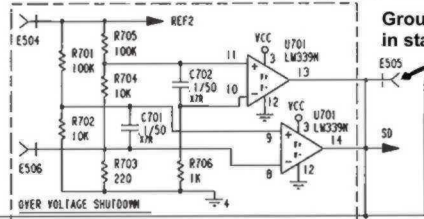
Common
for -6.4V &
+ & - 15V

-6.4V
5.5A

-15V
.75A

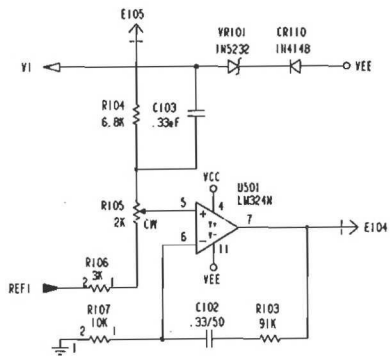


Ground potential puts Supply
in standby mode, +-5 running

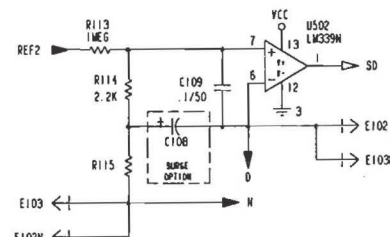


NOTICE: THIS DESIGN IS THE SOLE PROPERTY OF SEECRO S.A. IT CONTAINS PROPRIETARY INFORMATION AND IS CONFIDENTIAL. IN THE UNDERSTANDING THAT IT IS NOT TO BE USED, REPRODUCED OR DISCLOSED IN ANY MANNER WITHOUT THE APPROVAL OF SEECRO S.A.

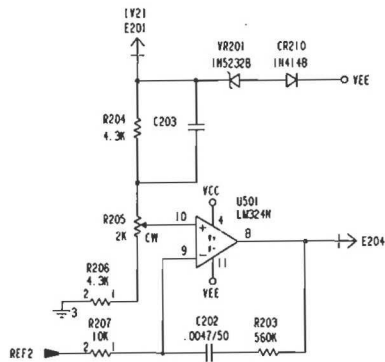
SEECRO S.A.	
MODEL :	PS1724
CHRG :	4 OUTPUTS, REMOTE SENSE
SEI680805C-C	DWG NO: SCHEMA-PS1724
DATE	SH: 2 OF 2 REV. : A
10-10-94	



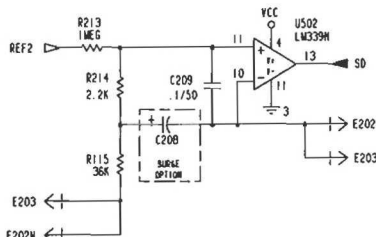
REGULATOR



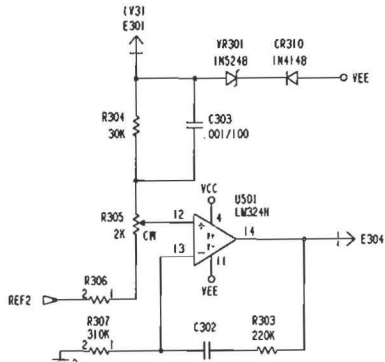
CURRENT LIMIT
OUTPUT 1 - NEGATIVE



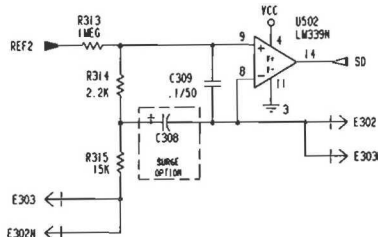
REGULATOR



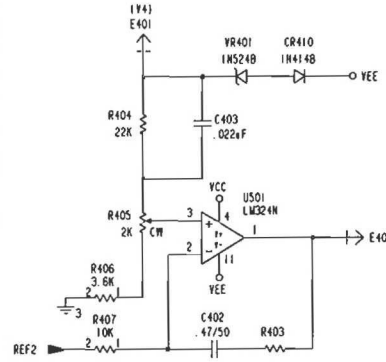
CURRENT LIMIT
OUTPUT 2 - POSITIVE



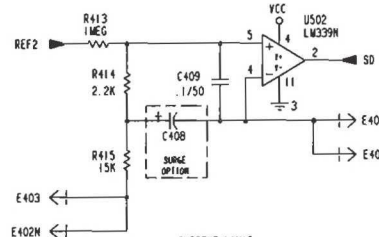
REGULATOR



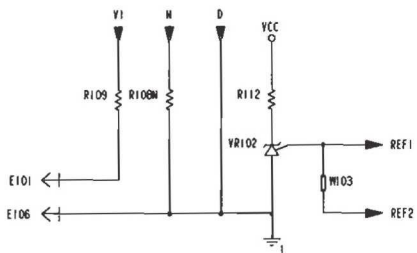
CURRENT LIMIT
OUTPUT 3 - NEGATIVE



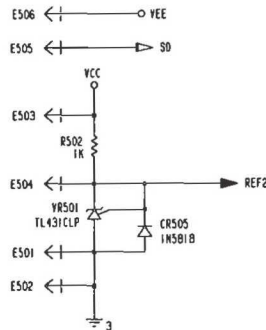
REGULATOR



CURRENT LIMIT
OUTPUT 4 - POSITIVE



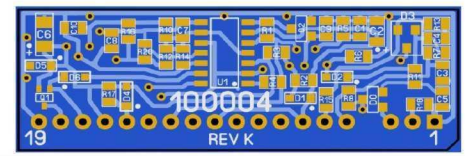
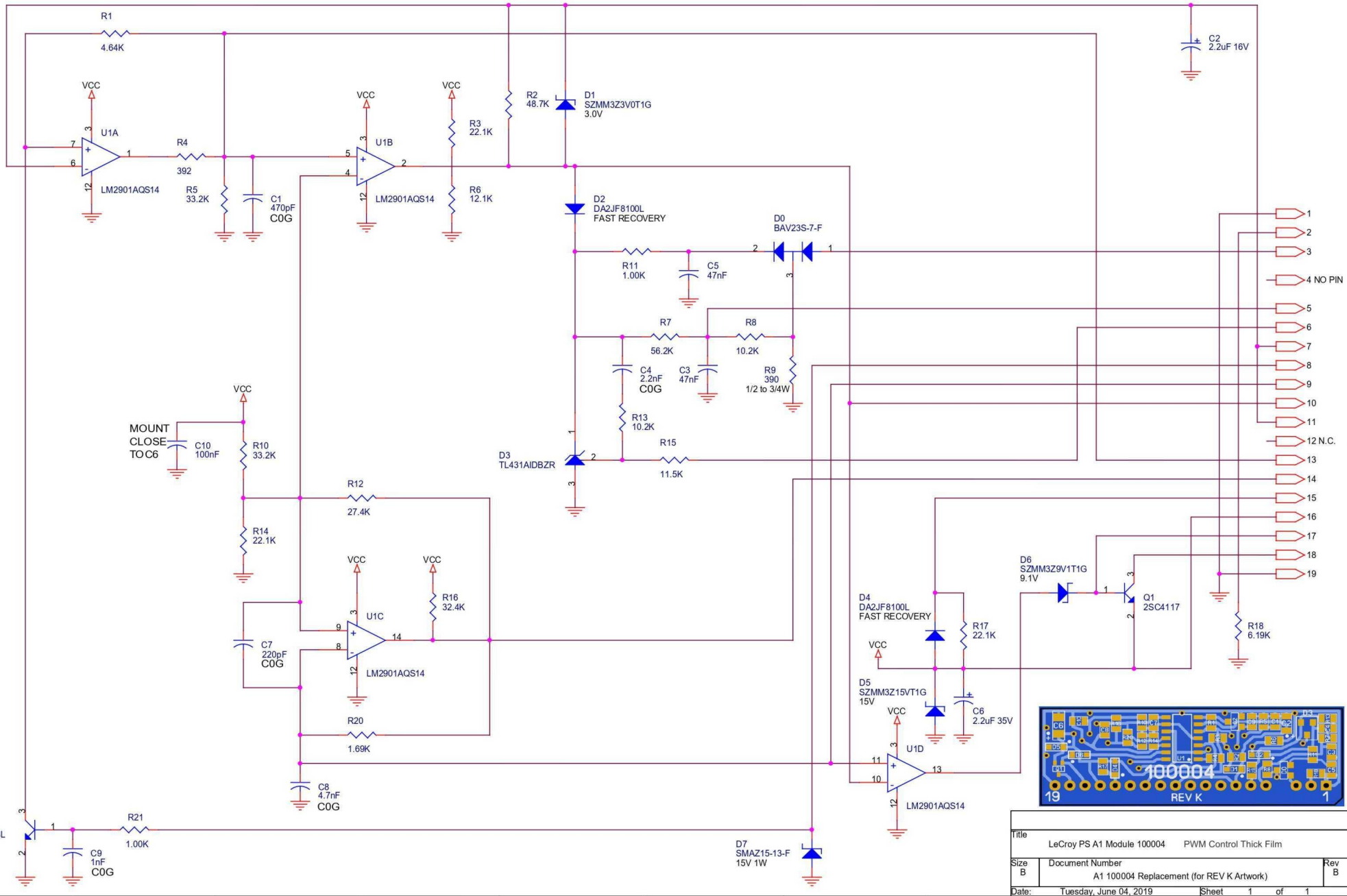
REMOTE SENSE



VOLTAGE REFERENCE

NOTICE: THIS DESIGN IS THE SOLE PROPERTY OF LECROY CORP.
IT CONSIDERS POSSIBLE PATENT VIOLATIONS AND IS PROCEEDING
WITH THE UNDERSTANDING THAT IT IS NOT TO BE USED, REPRODUCED
OR OTHERWISE DISCLOSED TO ANY OTHER PARTY WITHOUT THE APPROVAL
OF LECROY CORPORATION.

LECROY S.A.	
DRAWN SALAMIN-R	MODEL : PS1724
CNCD SEIGROBOSC-C	4 OUTPUTS, REMOTE SENSE
DATE 10-10-94	DWG NO: SCHEMA-PS1724
	SH: 1 OF 2 REV. : A



Title		
LeCroy PS A1 Module 100004 PWM Control Thick Film		
Size	Document Number	Rev
B	A1 100004 Replacement (for REV K Artwork)	B
Date:	Tuesday, June 04, 2019	Sheet 1 of 1

Soft start/stop circuit located on CPU board in isolated area at end of board opposite bus connector

