

VERTICAL PREAMPLIFIER

155-0050-01 M065

DESCRIPTION

The M065 is a Vertical Preamplifier for the 432 and 434 Portable scopes. This circuit has provisions for gain-switching and gain adjustment. In addition, basic sensitivity is set by an external resistor.

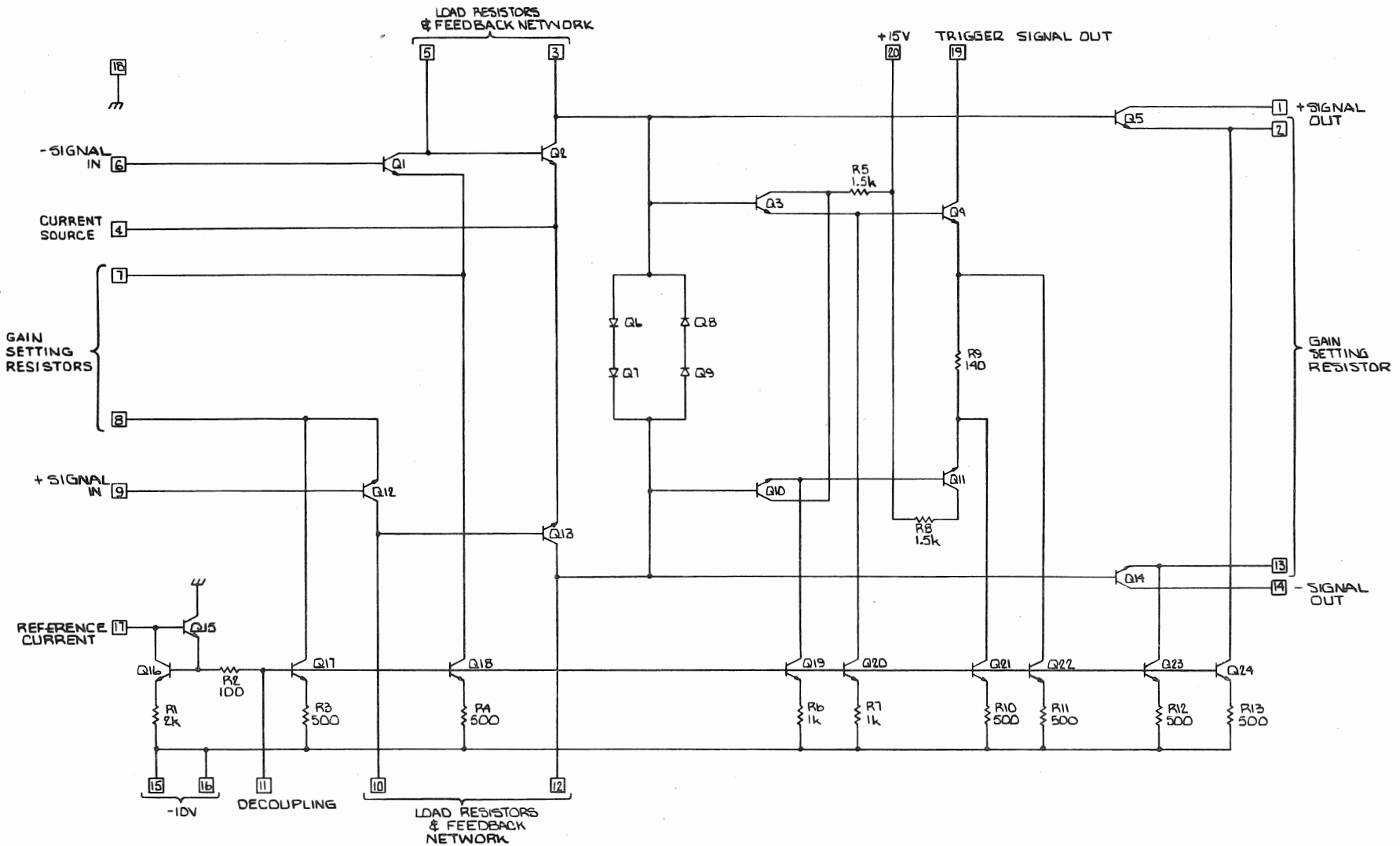
PROCESS 200 Ω /Sq

POWER SUPPLY. +15V, GND, -10V

PACKAGE 20 Pin DIP

DESIGNER Bert TenKate

INSTRUMENT USAGE 314K
432
434



ENGR	<i>Joe Tice</i>	9-30-75	PROCESS	200 n/a
DWN BY	PAM CHERRIE	11-12-74	PACKAGE	20 PIN DIP
CHK BY	<i>David VanDer</i>	2-10-76	DIE SIZE	45mil X 35mil
TYPE	MONOLITHIC		VERTICAL PREAMP	M065
INTERGRATED CIRCUIT ENGINEERS TEKTRONIX, INC. BEAVERTON, OREGON, U.S.A.			PART NO. 155-0050-01	