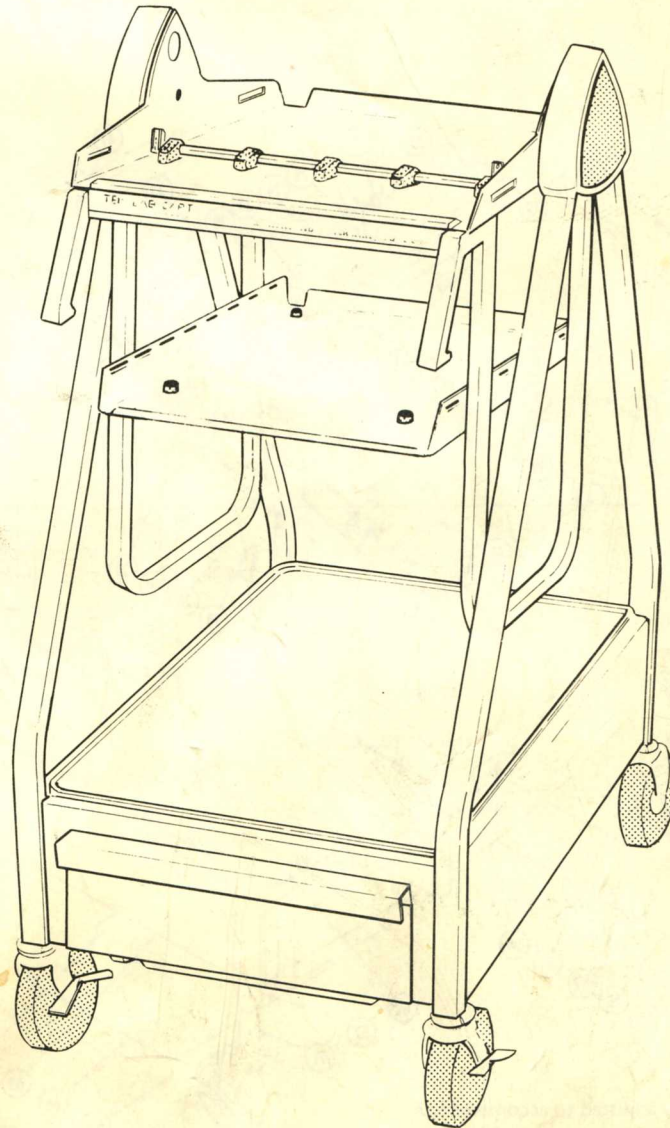


LAB CART, MODEL 3

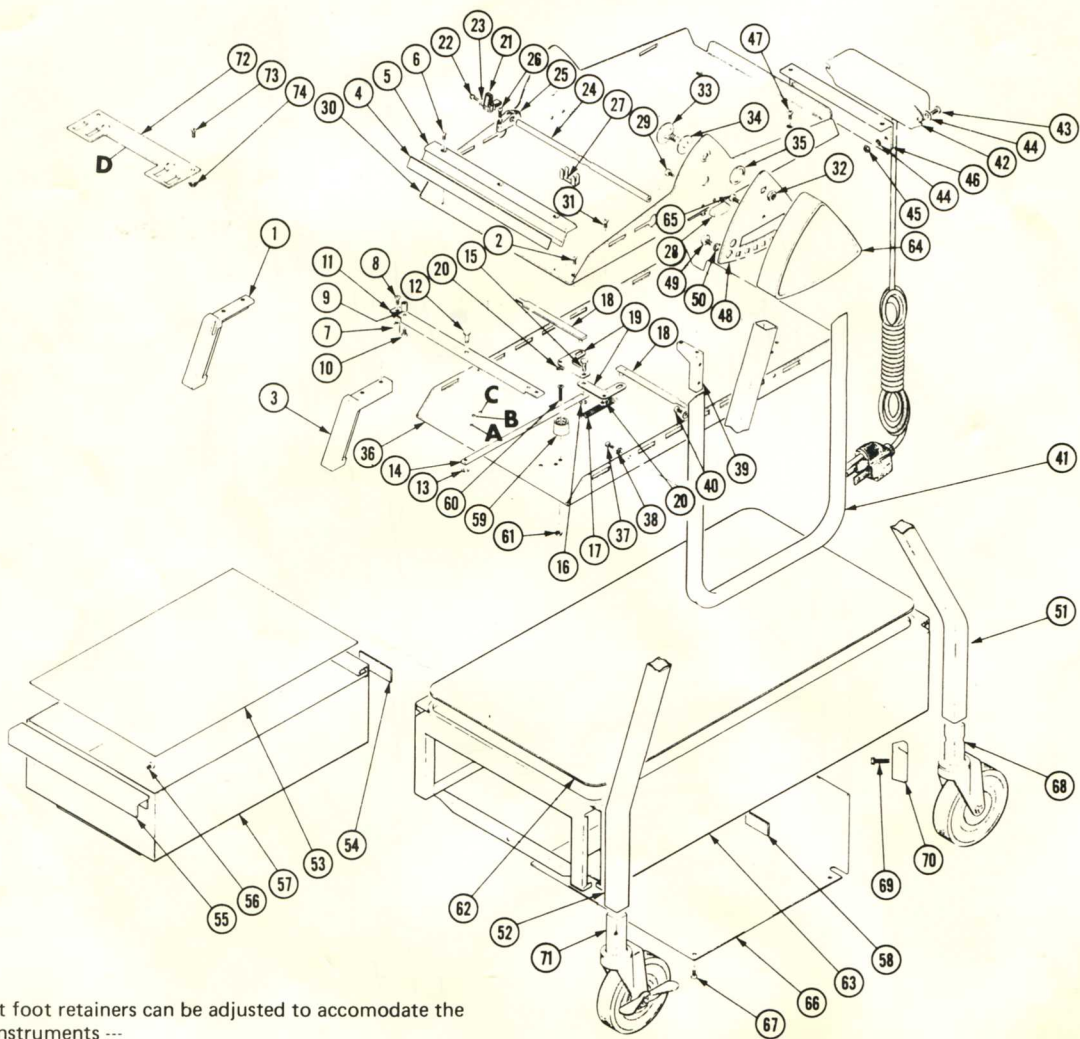


NO. 062-2325-00

DATE DEC. 1978 (R)

COPYRIGHT © 1976
TEKTRONIX INC.
ALL RIGHTS RESERVED

EXPLODED VIEW



The cabinet foot retainers can be adjusted to accommodate the following instruments ---

- A. 453, 453A Series and 454, 454A Series
- B. 491
- C. 432, 434, 465, 466, 475 and 485
- D. The centering plate accommodates the TM503 and TM504
Use plate or feet separately.
Use hole "B" when attaching centering plate.

