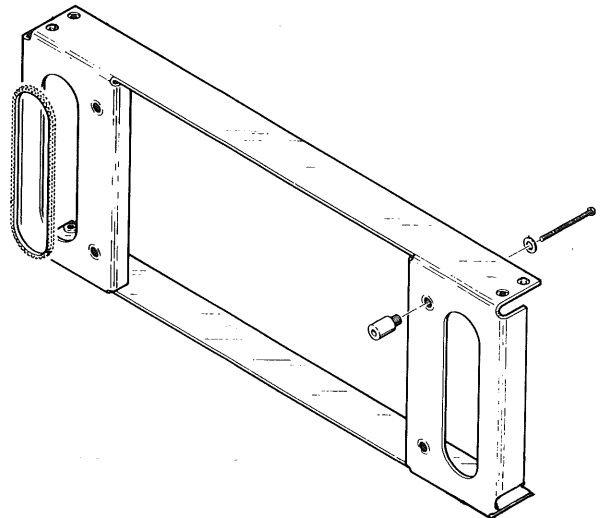
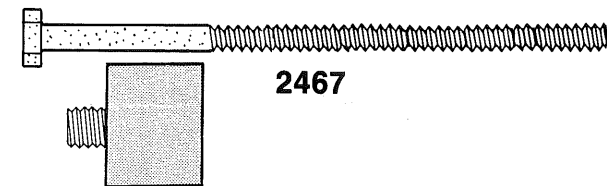
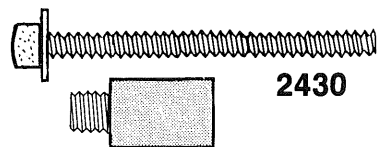
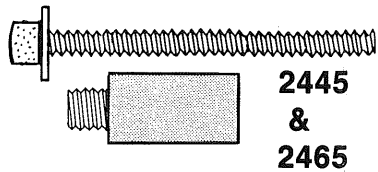


HARDWARE KIT (Part No. 016-0860-00)

CAUTION

Hardware provided in this bag is for all oscilloscopes in the 2400 Series. When ready to mount your oscilloscope, use this sheet in conjunction with the Rackmount Instruction Manual. This will assure proper hardware usage for your type of oscilloscope. If the proper hardware is not used (spacers with appropriate screws), you may cause damage to your oscilloscope. Refer to the illustrations of these spacers and screws to determine the proper hardware for your oscilloscope.



This bag also contains two smaller screws which are used to mount the instrument chassis to the bracket supplied with the Rackmount Kit for all 2400 Series oscilloscopes.

