

DESCRIPTION

When used with an integrator, comparator, and switchable current source, the M187 forms a complete DVM. The integrated circuit can internally divide the output values by 1, 2, 4, or 5. Two output pins indicate when the counters have over-ranged or under-ranged. The frequency of the on-chip clock is determined by an external capacitor and resistor. The output from the integrated circuit is a 10-level current suitable for interfacing with the New Generation Knob Read-Out System.

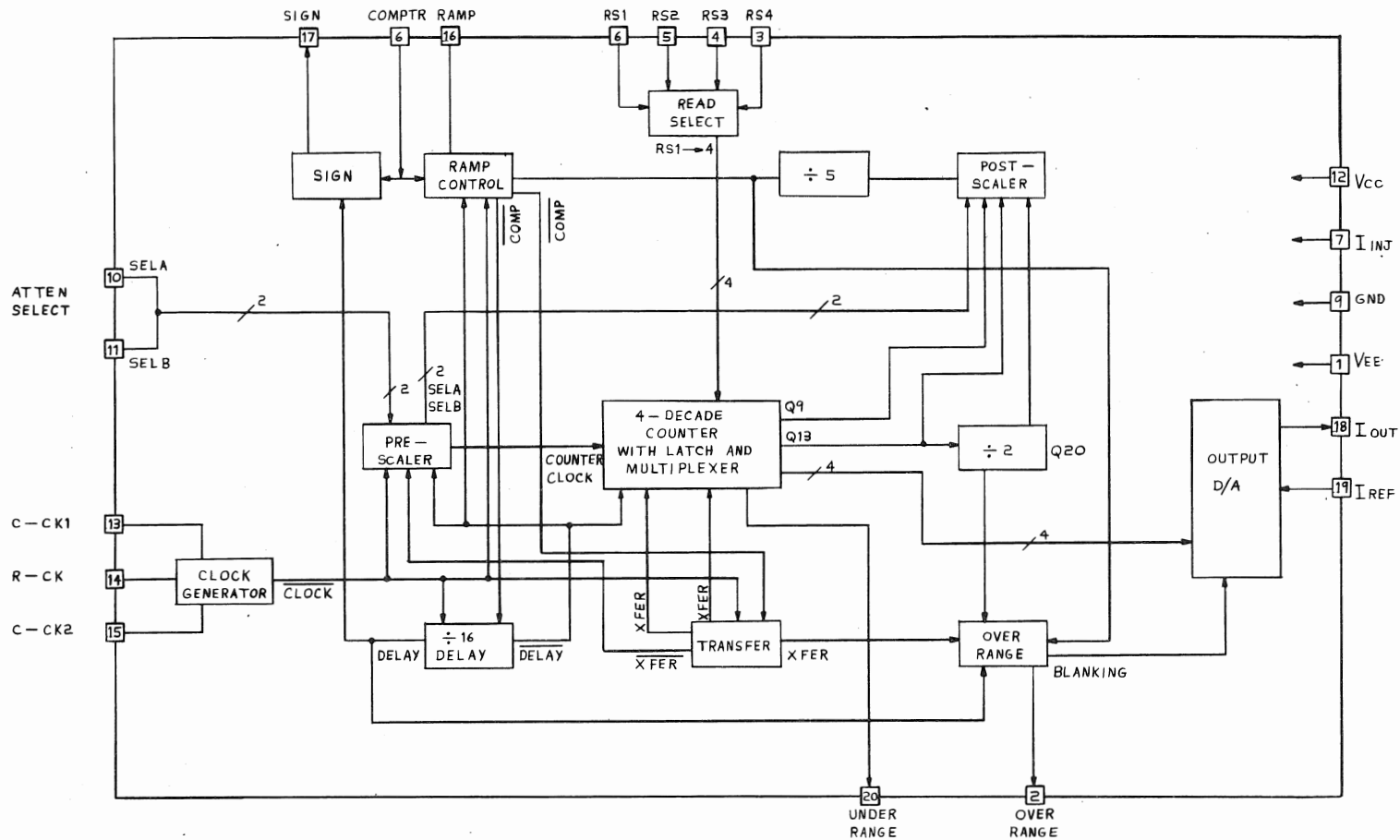
PROCESS I²L

POWER SUPPLY. V_{CC} +5V, V_{EE} -15V

PACKAGE 20 DIP

DESIGNER Don Larson

INSTRUMENT USAGE 7B15



M187	FOUR DECADE D.V.M.	INTEGRATED CIRCUIT EMO/MPD TECHNOLOGIC, INC. SHELVINGTON, OHIO, U.S.A.		
PART NO.	155-0185-00	TYPE	MONOLITHIC	
ENG	<i>Delmon</i>	11-1-79	PROCESS	I ² L
DWGN BY	JIM NAMHIE	10/31/79	PACKAGE	20 PIN DIP
CHK BY	BOB GAULT	11-1-79	DIE SIZE	90MILS X 135MILS