

INPUT AMPLIFIER

155-0032-00
155-0032-01

M55D

DESCRIPTION

This circuit is a single channel amplifier designed for the dual channel 7A12. Pins #1, #2, #15, and #16 are connected to external current sources to provide gain changes. The differential input is connected to Pins #3 and #14. Current at Pin #10 controls the ratio of the current from Pin #6 to Pins #8 and #9 for output position. Current at Pin #12 controls Pin #5 currents to provide current gain continuously variable between +1 and -1.

PROCESS 50/450

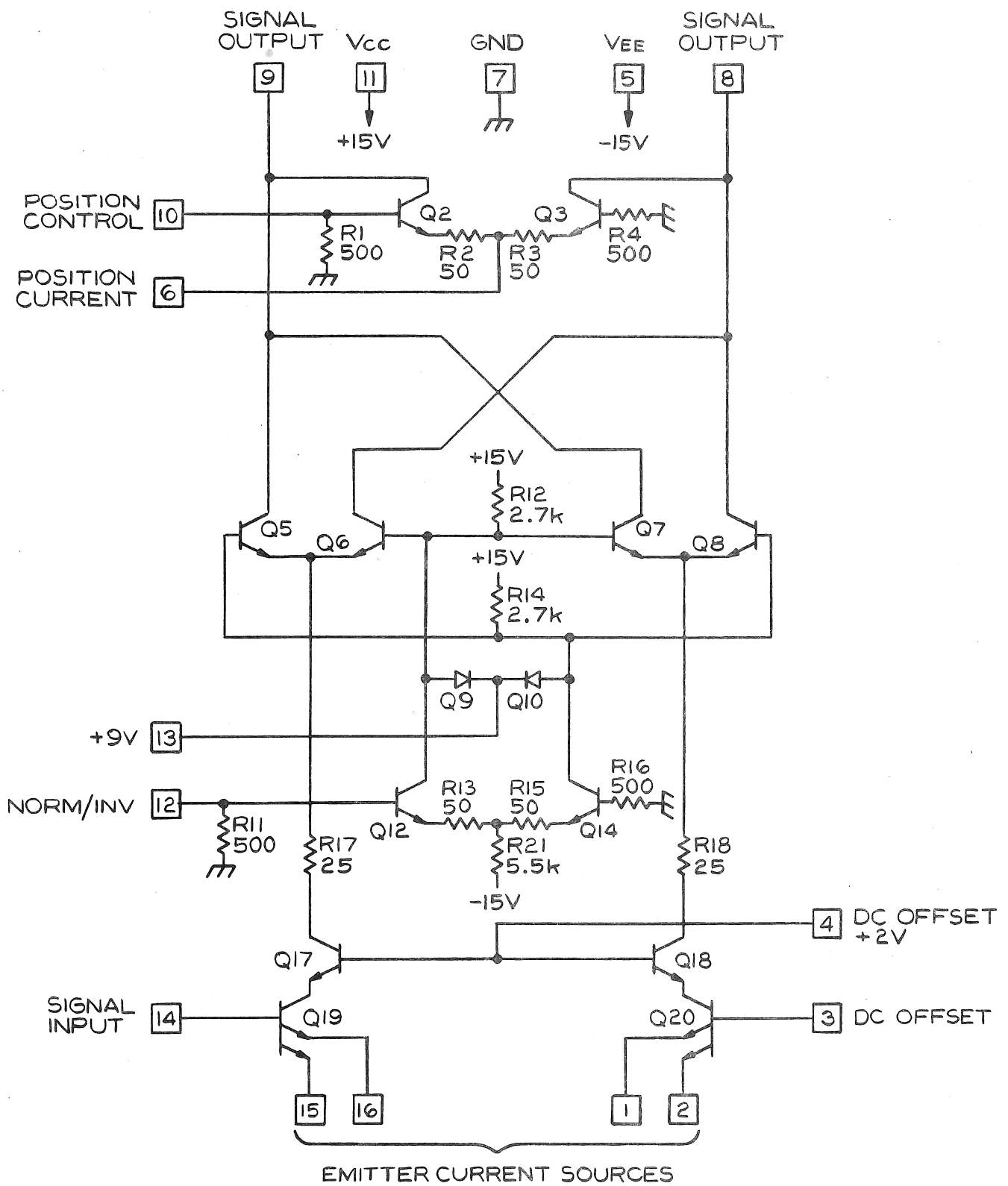
POWER SUPPLY. +15V, +9V, GND -15V

PACKAGE 16 Pin DIP

DESIGNER Roy Hayes

INSTRUMENT USAGE 1478 671
465 1460
475 670
464 466
1440 355

Some 475 Mods



ENGR	<i>Evan Tice</i>	7-1-76	PROCESS	50-450
DWN BY	J. Langley	6-29-76	PACKAGE	16 PIN DIP
CHK BY	<i>Linda Boyer</i>	7-13-76	DIE SIZE	60mil X 40mil
TYPE	MONOLITHIC	INPUT AMPLIFIER		M055
INTEGRATED CIRCUIT ENG/MFG TEKTRONIX, INC. BEAVERTON, OREGON, U.S.A.			PART NO. 155-0032-00	