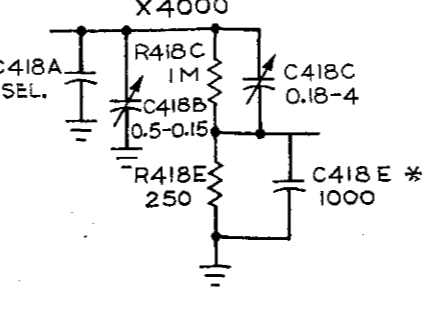
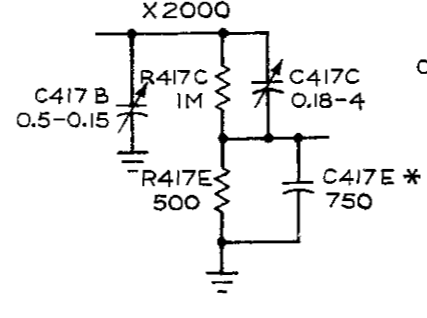
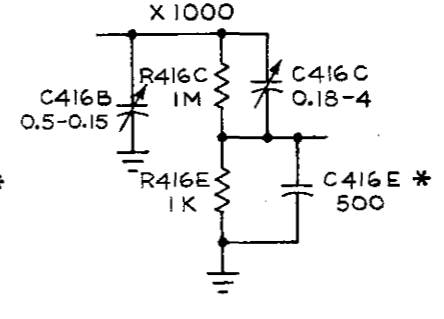
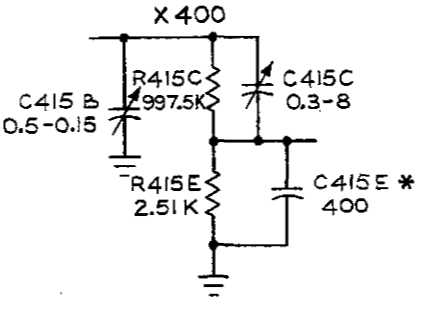
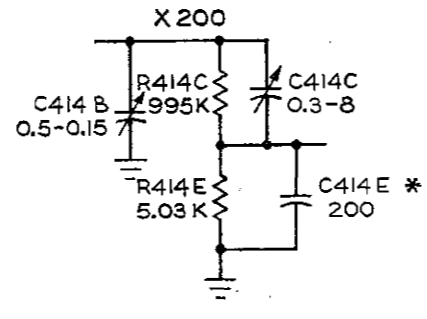
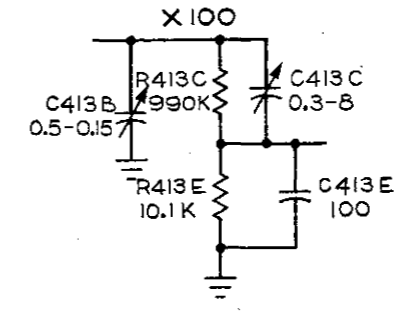
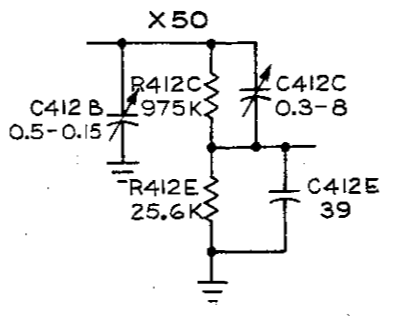
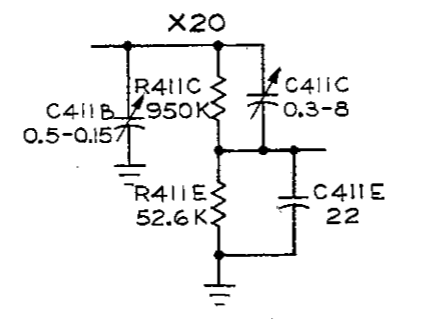
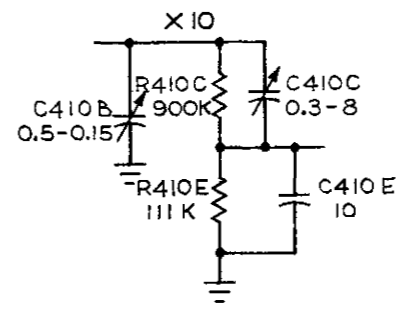
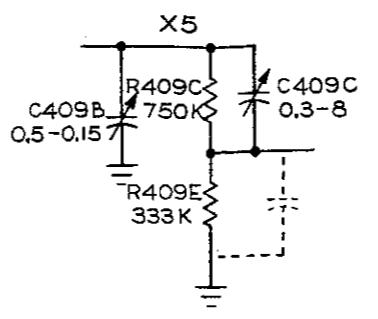
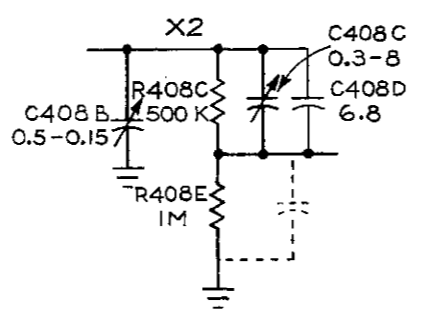


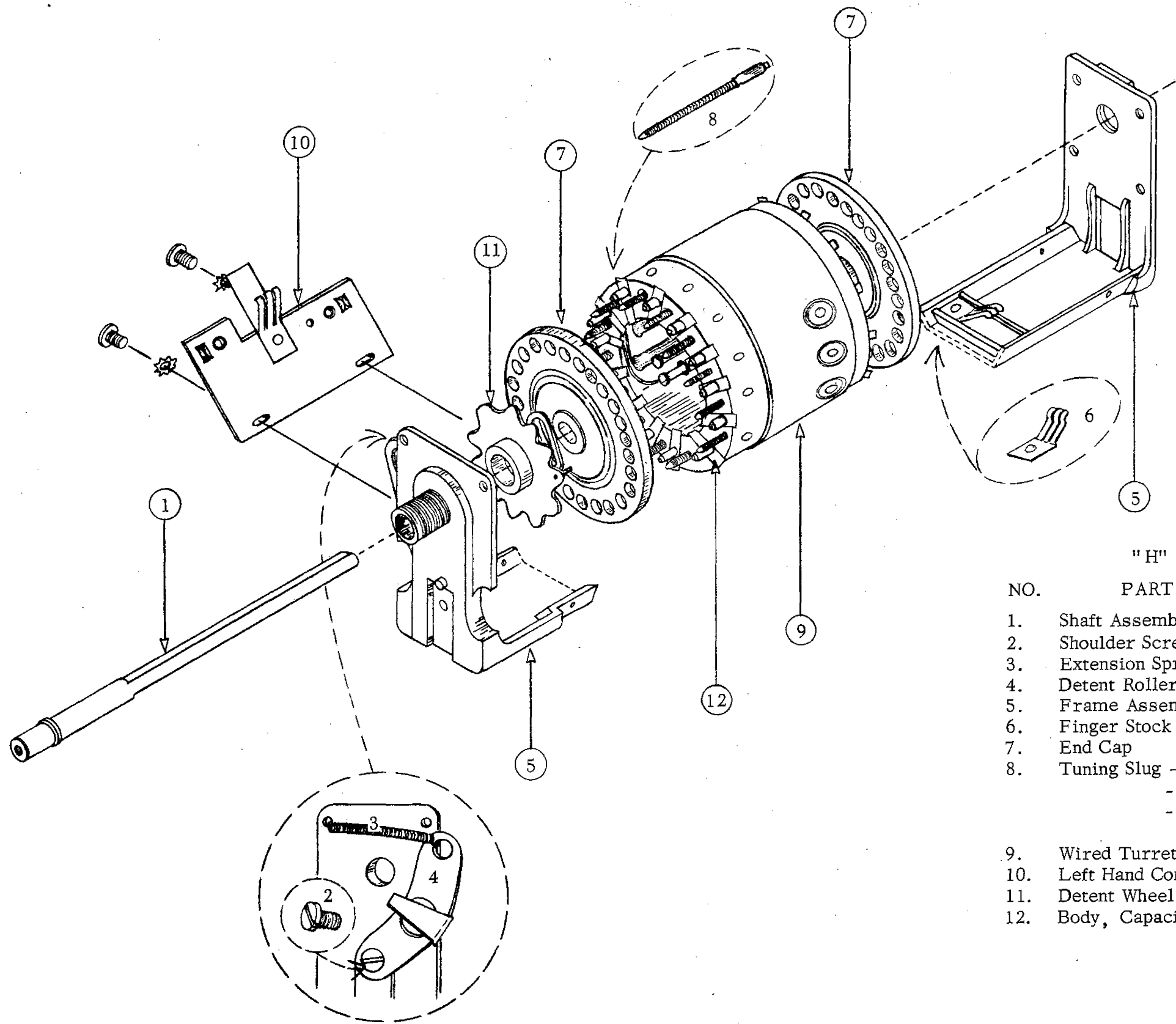
X1



\* SILVERED MICA BUTTON CAPACITORS.

AC

H TURRET ATTENUATOR  
S/N 10,001 -UP



"H" Unit Turret Attenuator

NO.	PART	TEKTRONIX PART NO.
1.	Shaft Assembly	384-235
2.	Shoulder Screw	211-563
3.	Extension Spring	214-088
4.	Detent Roller Carrier Assembly	214-189
5.	Frame Assembly	426-125
6.	Finger Stock	214-131
7.	End Cap	200-191
8.	Tuning Slug - Gold .008 Teflon	214-216
	- Silver .004 Teflon	214-217
	- Gold 1/2 length, no Teflon	Supplied on Request
9.	Wired Turret Body Assembly	204-072
10.	Left Hand Contact Plate Assembly	387-423
11.	Detent Wheel Assembly	401-020
12.	Body, Capacitor Barrel	204-024

A

384

384

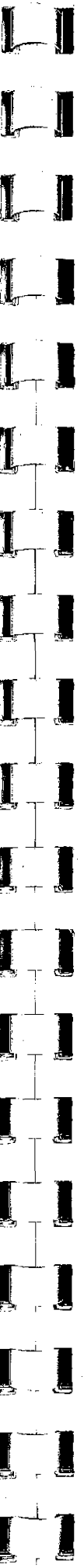
384

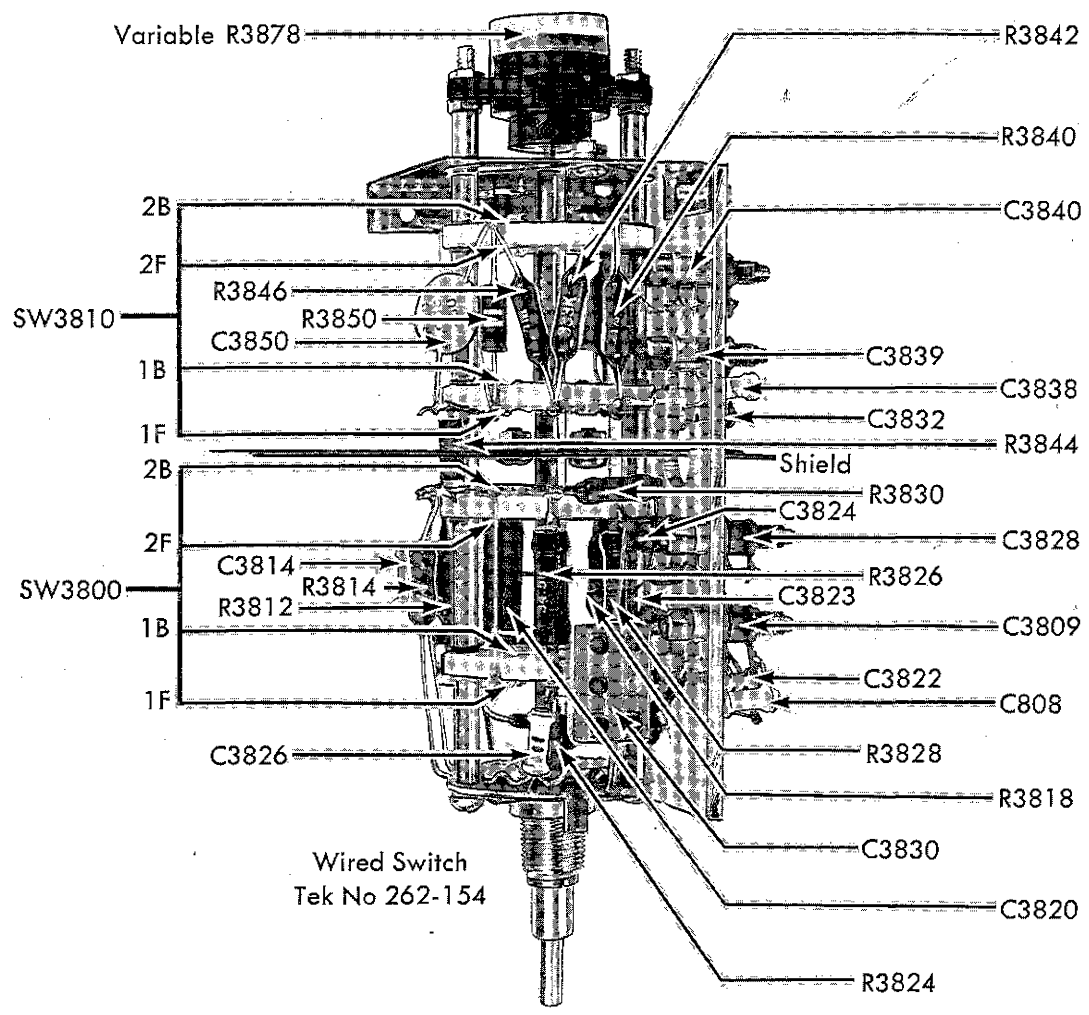
383

384

382

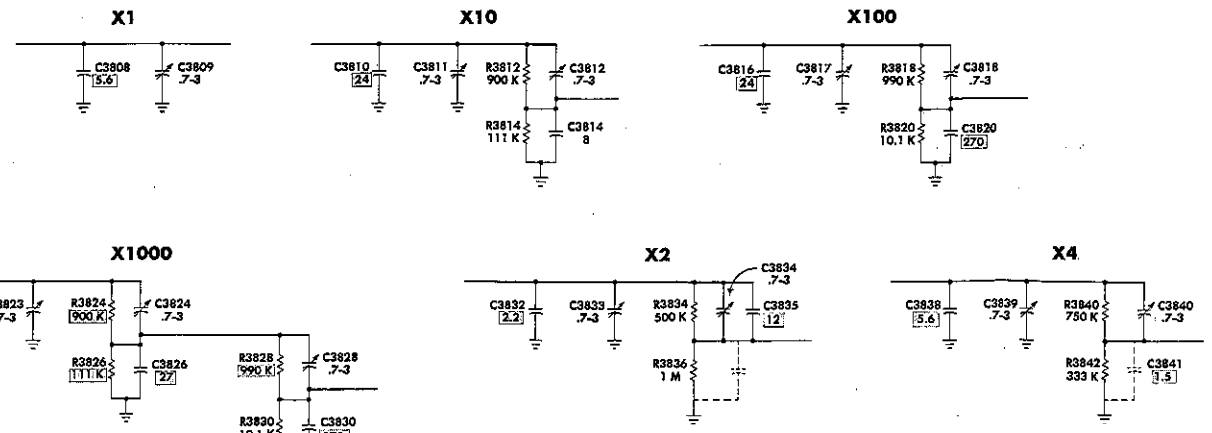
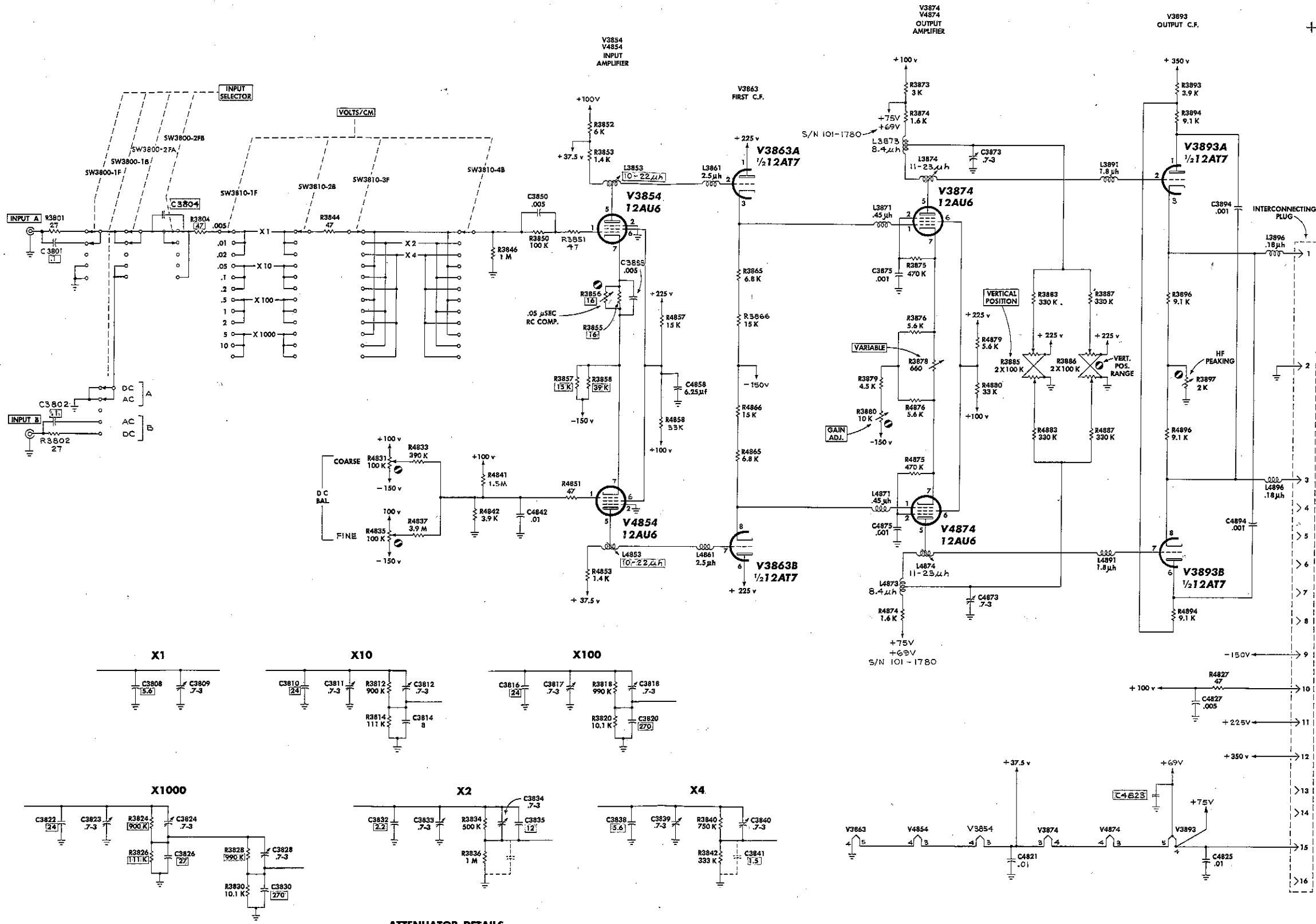
TURRET DRAWING





**VOLTS/CM SWITCH AND VARIABLE CONTROL**

SWITCH DETAIL



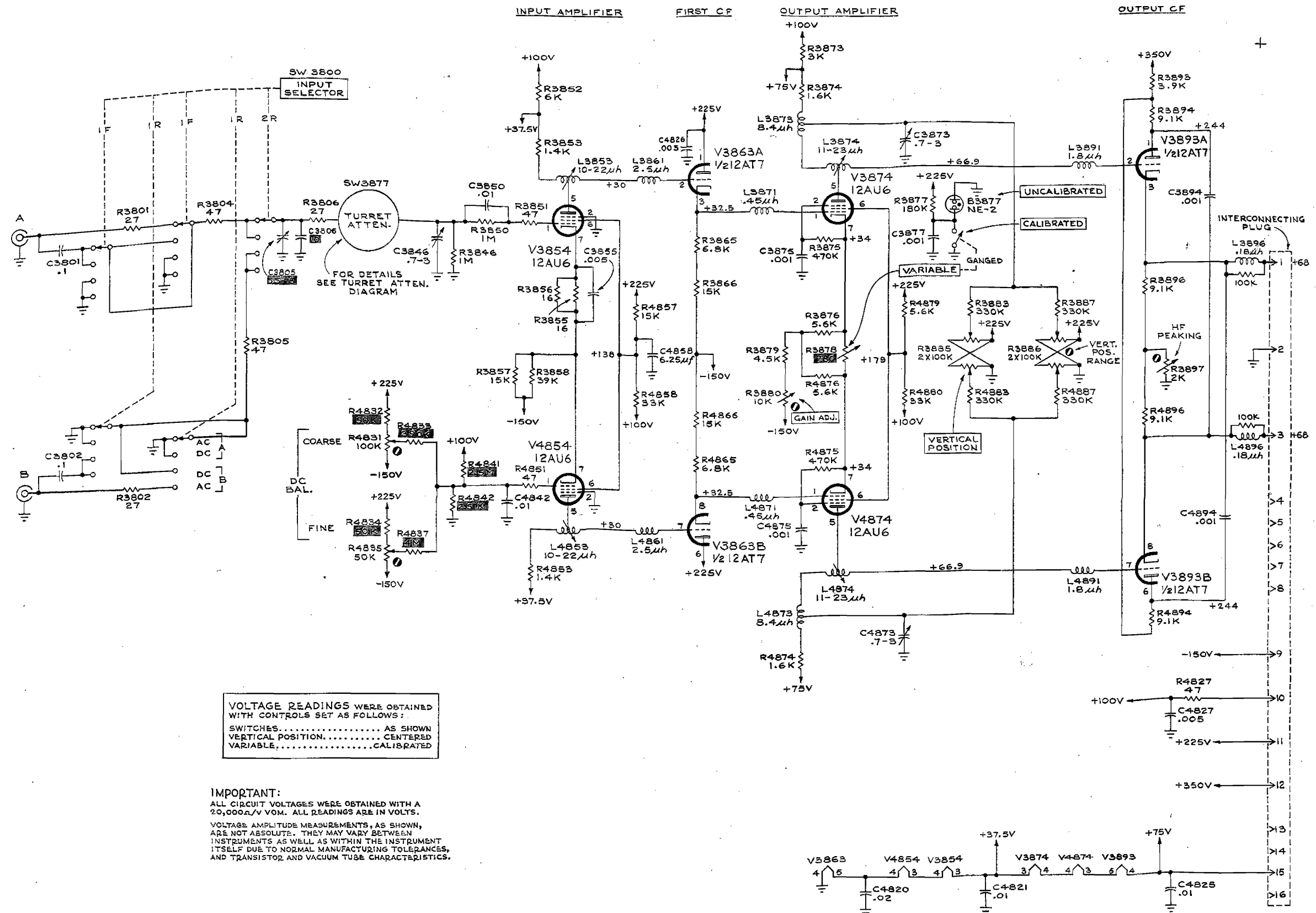
ATTENUATOR DETAILS

SEE PARTS LIST FOR EARLIER VALUES AND S/N CHANGES OF PARTS MARKED [ ]

2-16-61

TYPE H PREAMP  
S/N 101-10,000

AA<sub>1</sub>



VOLTAGE READINGS WERE OBTAINED WITH CONTROLS SET AS FOLLOWS:  
 SWITCHES..... AS SHOWN  
 VERTICAL POSITION..... CENTERED  
 VARIABLE..... CALIBRATED

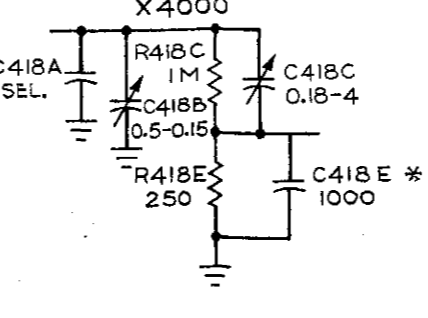
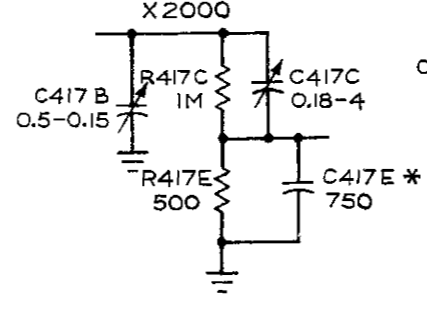
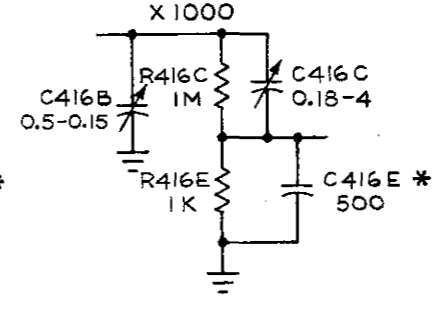
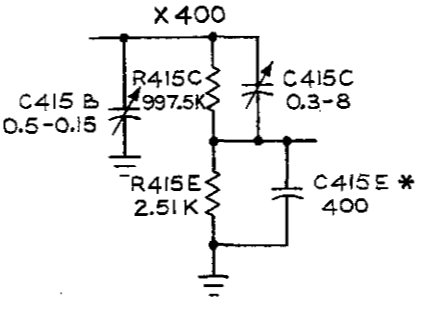
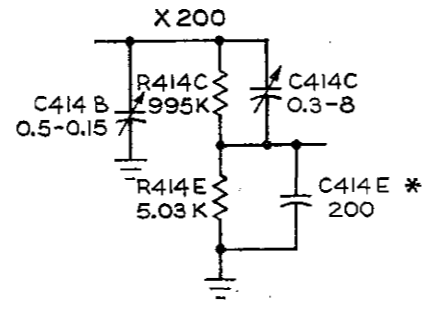
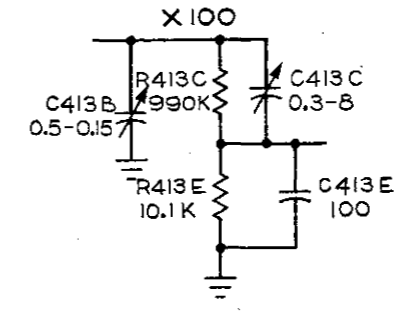
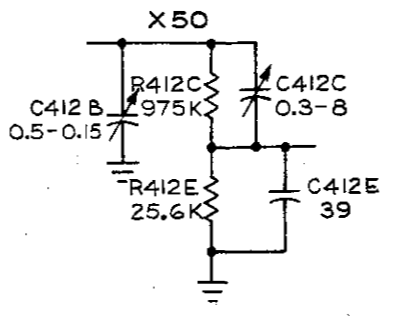
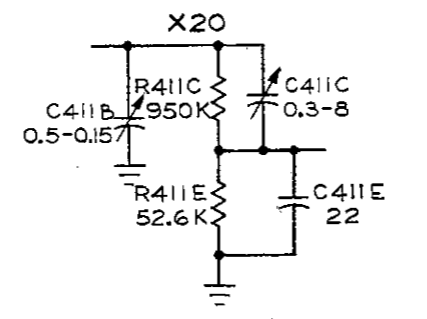
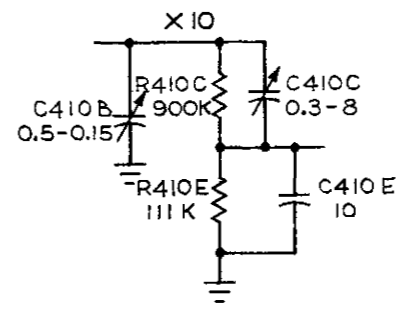
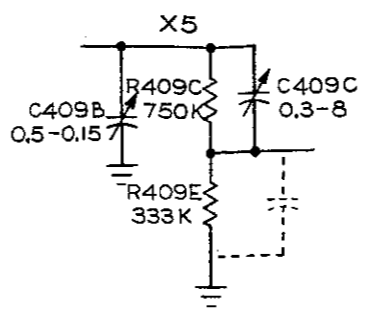
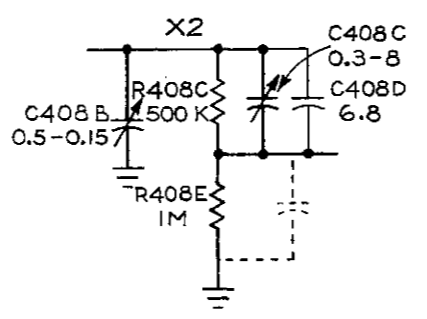
**IMPORTANT:**  
 ALL CIRCUIT VOLTAGES WERE OBTAINED WITH A 20,000Ω/V VOM. ALL READINGS ARE IN VOLTS.  
 VOLTAGE AMPLITUDE MEASUREMENTS, AS SHOWN, ARE NOT ABSOLUTE. THEY MAY VARY BETWEEN INSTRUMENTS AS WELL AS WITHIN THE INSTRUMENT ITSELF DUE TO NORMAL MANUFACTURING TOLERANCES, AND TRANSISTOR AND VACUUM TUBE CHARACTERISTICS.

SEE PARTS LIST FOR EARLIER VALUES AND S/N CHANGES OF PARTS MARKED WITH RED TINT BLOCKS

MRH  
 10-12-61  
**TYPE H PREAMP**  
 S/N 10,001-UP

PREAMPLIFIER  
 S/N 10001-UP

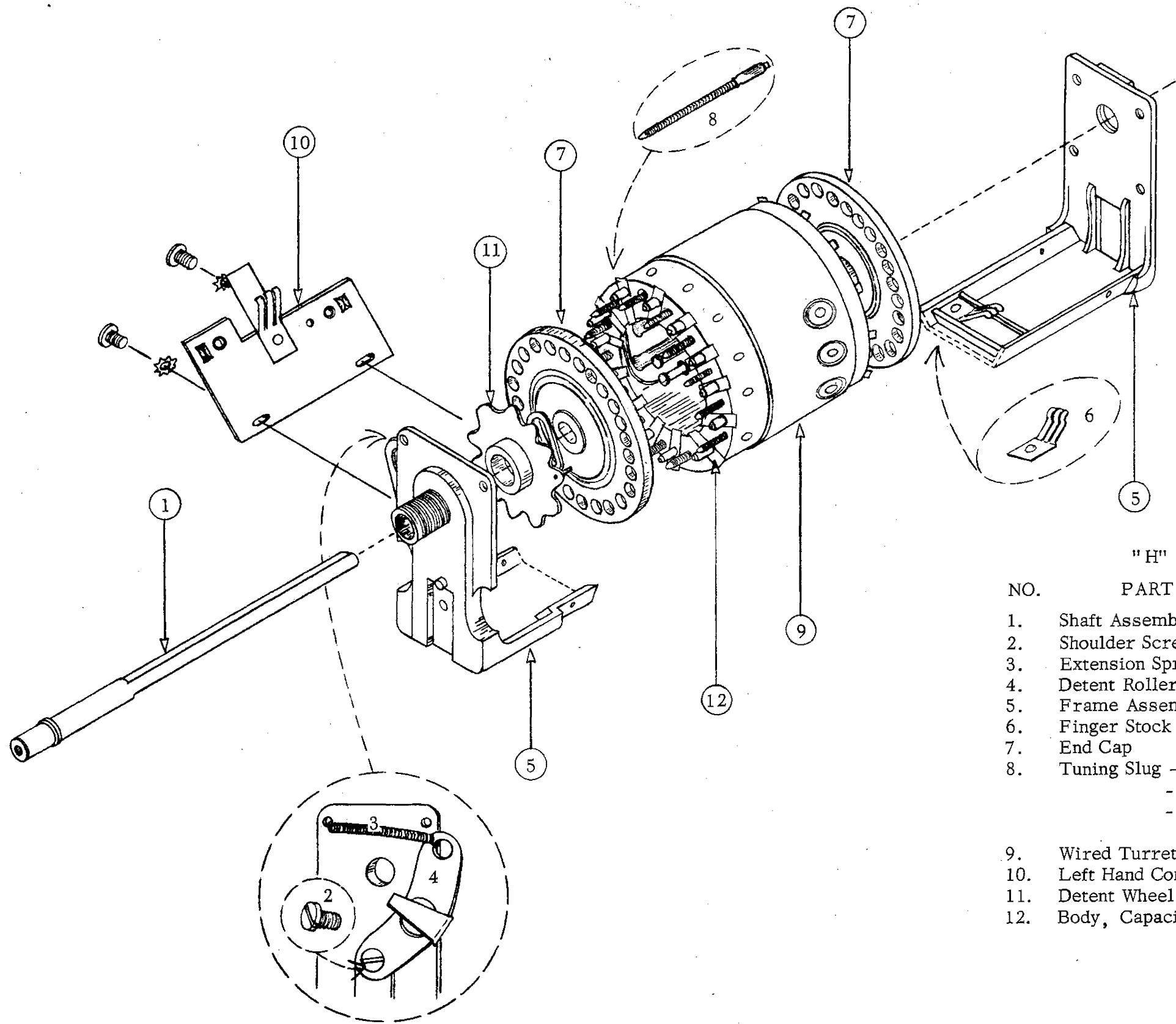
X1



\* SILVERED MICA BUTTON CAPACITORS.

AC

H TURRET ATTENUATOR  
S/N 10,001 -UP



"H" Unit Turret Attenuator

NO.	PART	TEKTRONIX PART NO.
1.	Shaft Assembly	384-235
2.	Shoulder Screw	211-563
3.	Extension Spring	214-088
4.	Detent Roller Carrier Assembly	214-189
5.	Frame Assembly	426-125
6.	Finger Stock	214-131
7.	End Cap	200-191
8.	Tuning Slug - Gold .008 Teflon	214-216
	- Silver .004 Teflon	214-217
	- Gold 1/2 length, no Teflon	Supplied on Request
9.	Wired Turret Body Assembly	204-072
10.	Left Hand Contact Plate Assembly	387-423
11.	Detent Wheel Assembly	401-020
12.	Body, Capacitor Barrel	204-024

A

384

384

384

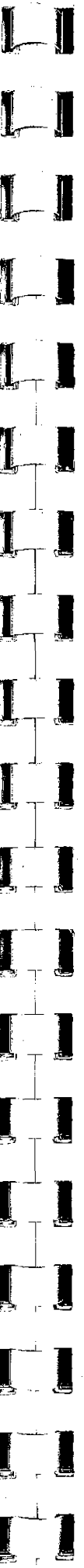
383

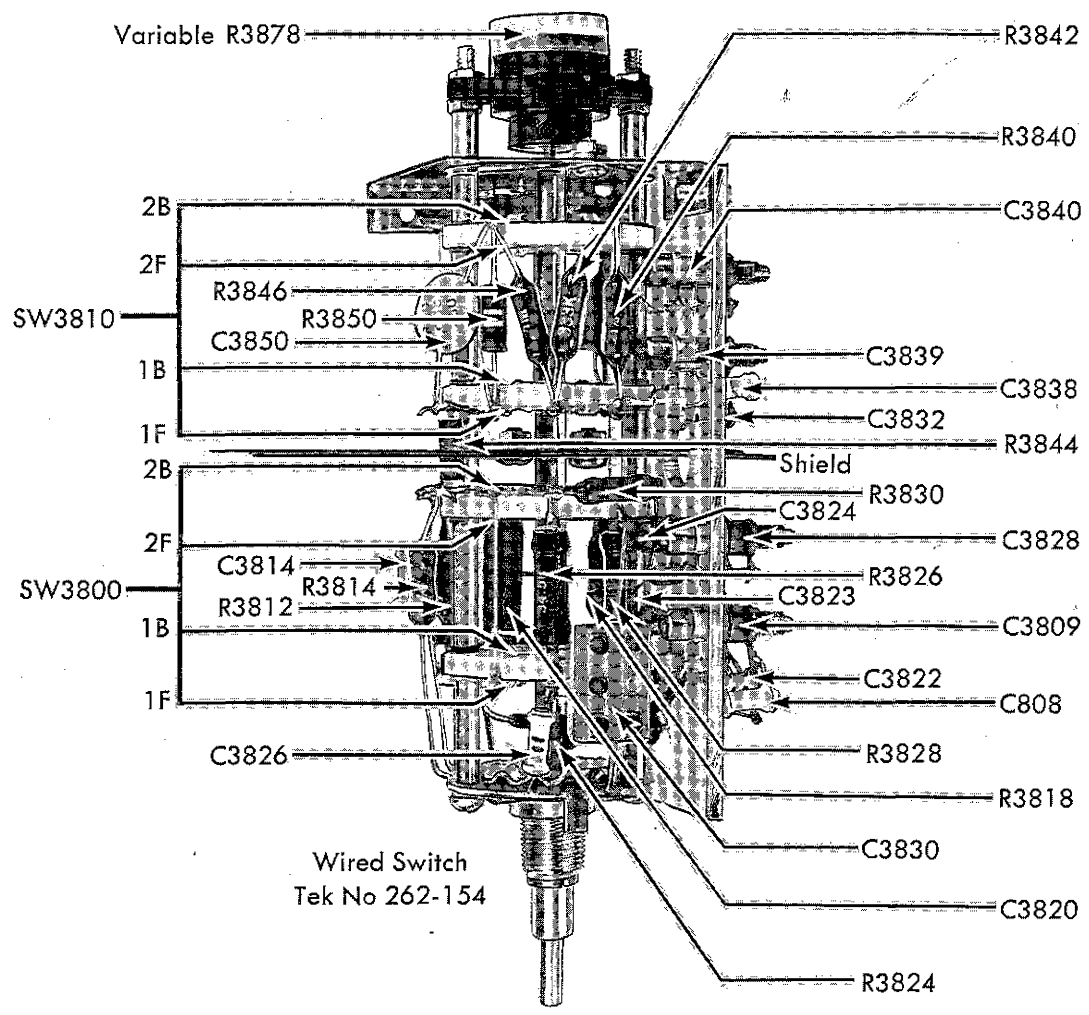
384

382

TURRET DRAWING

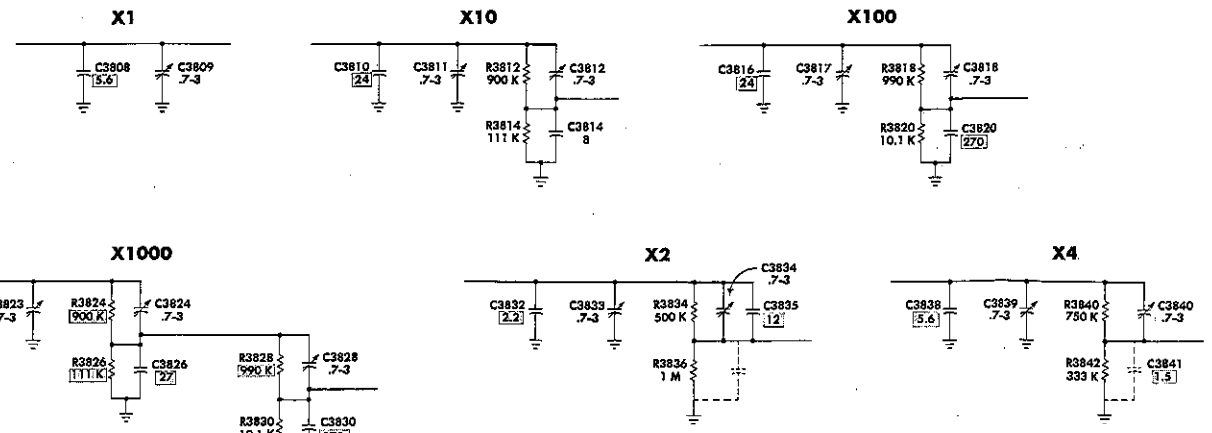
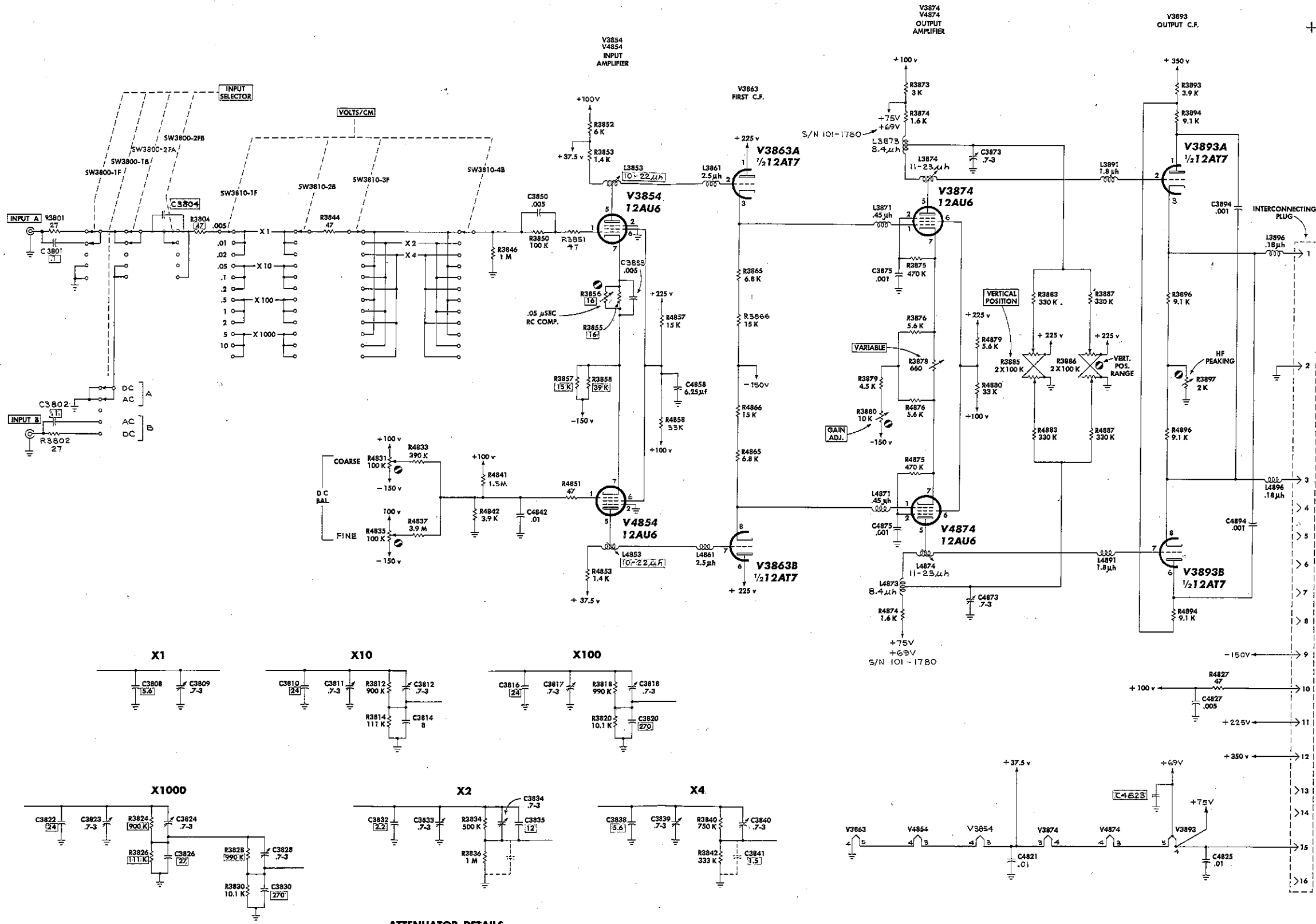






**VOLTS/CM SWITCH AND VARIABLE CONTROL**

SWITCH DETAIL



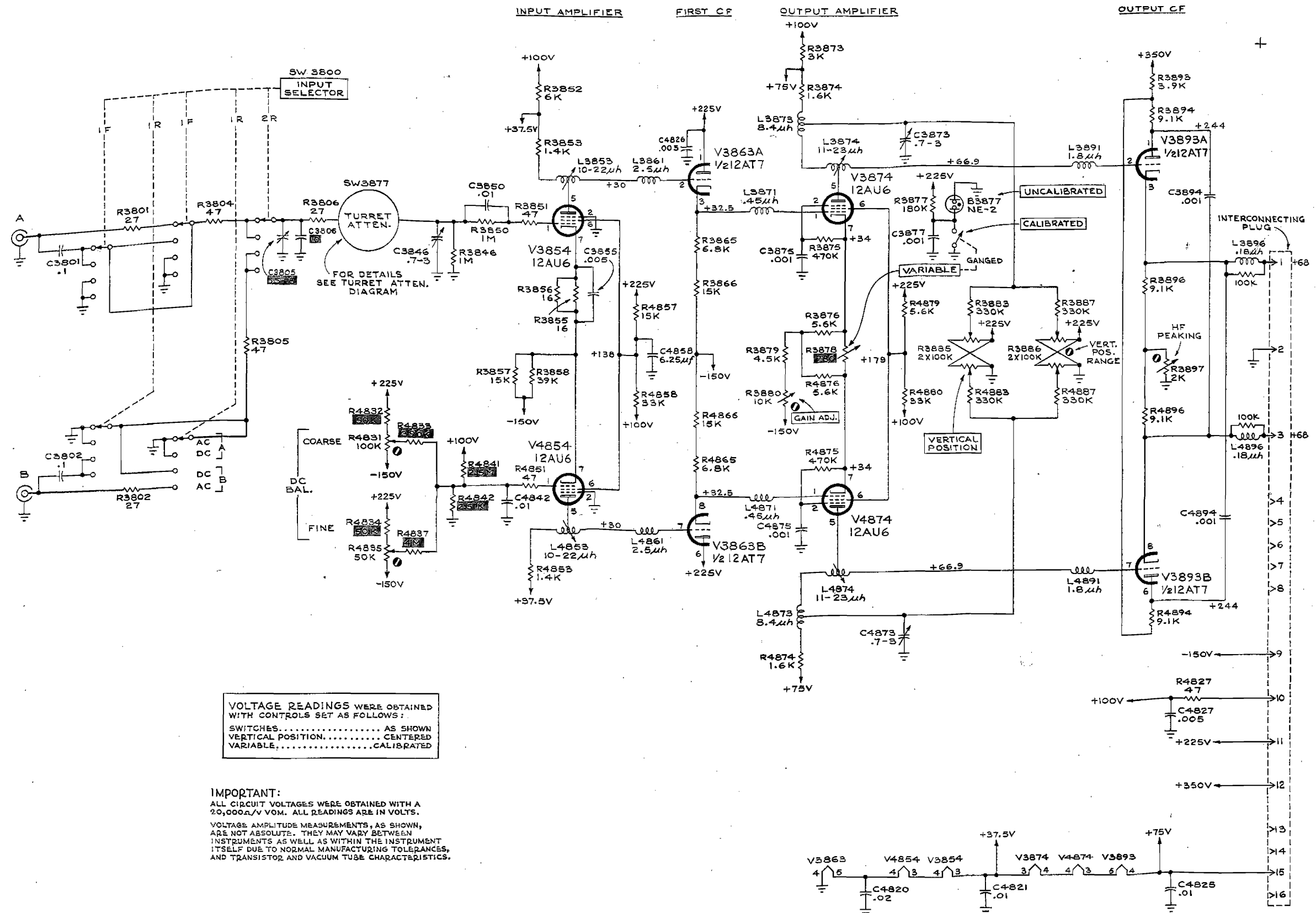
ATTENUATOR DETAILS

SEE PARTS LIST FOR EARLIER VALUES AND S/N CHANGES OF PARTS MARKED [ ]

2-16-61

TYPE H PREAMP  
S/N 101-10,000

AA<sub>1</sub>



VOLTAGE READINGS WERE OBTAINED WITH CONTROLS SET AS FOLLOWS:  
 SWITCHES..... AS SHOWN  
 VERTICAL POSITION..... CENTERED  
 VARIABLE..... CALIBRATED

**IMPORTANT:**  
 ALL CIRCUIT VOLTAGES WERE OBTAINED WITH A 20,000Ω/V VOM. ALL READINGS ARE IN VOLTS.  
 VOLTAGE AMPLITUDE MEASUREMENTS, AS SHOWN, ARE NOT ABSOLUTE. THEY MAY VARY BETWEEN INSTRUMENTS AS WELL AS WITHIN THE INSTRUMENT ITSELF DUE TO NORMAL MANUFACTURING TOLERANCES, AND TRANSISTOR AND VACUUM TUBE CHARACTERISTICS.

SEE PARTS LIST FOR EARLIER VALUES AND S/N CHANGES OF PARTS MARKED WITH RED TINT BLOCKS

MRH  
 10-12-61  
**TYPE H PREAMP**  
 S/N 10,001-UP

PREAMPLIFIER  
 S/N 10001-UP