

# VERTICAL AMPLIFIER TYPE A (15 MC/S)

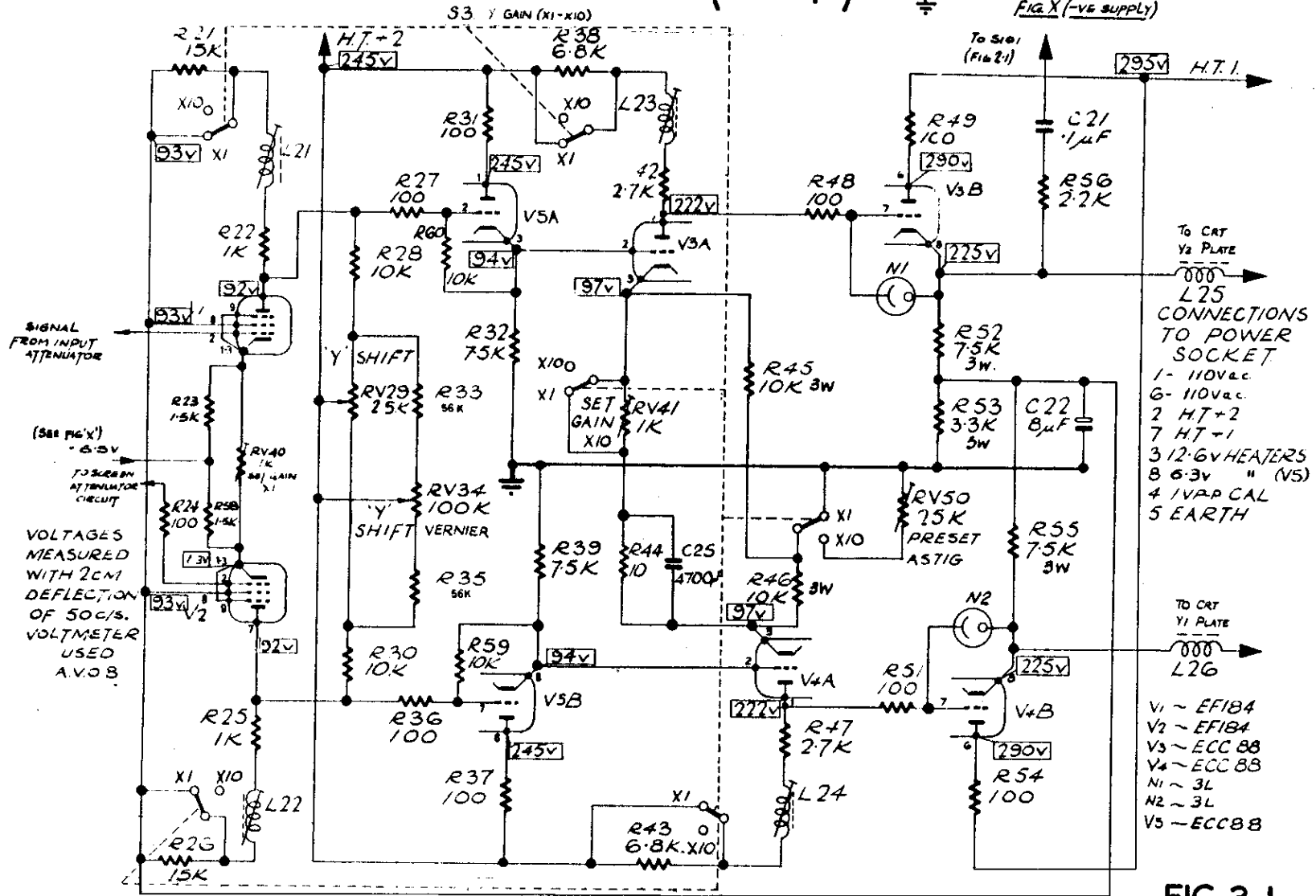


FIG 3-1

# INPUT ATTENUATOR

TYPE.43A.

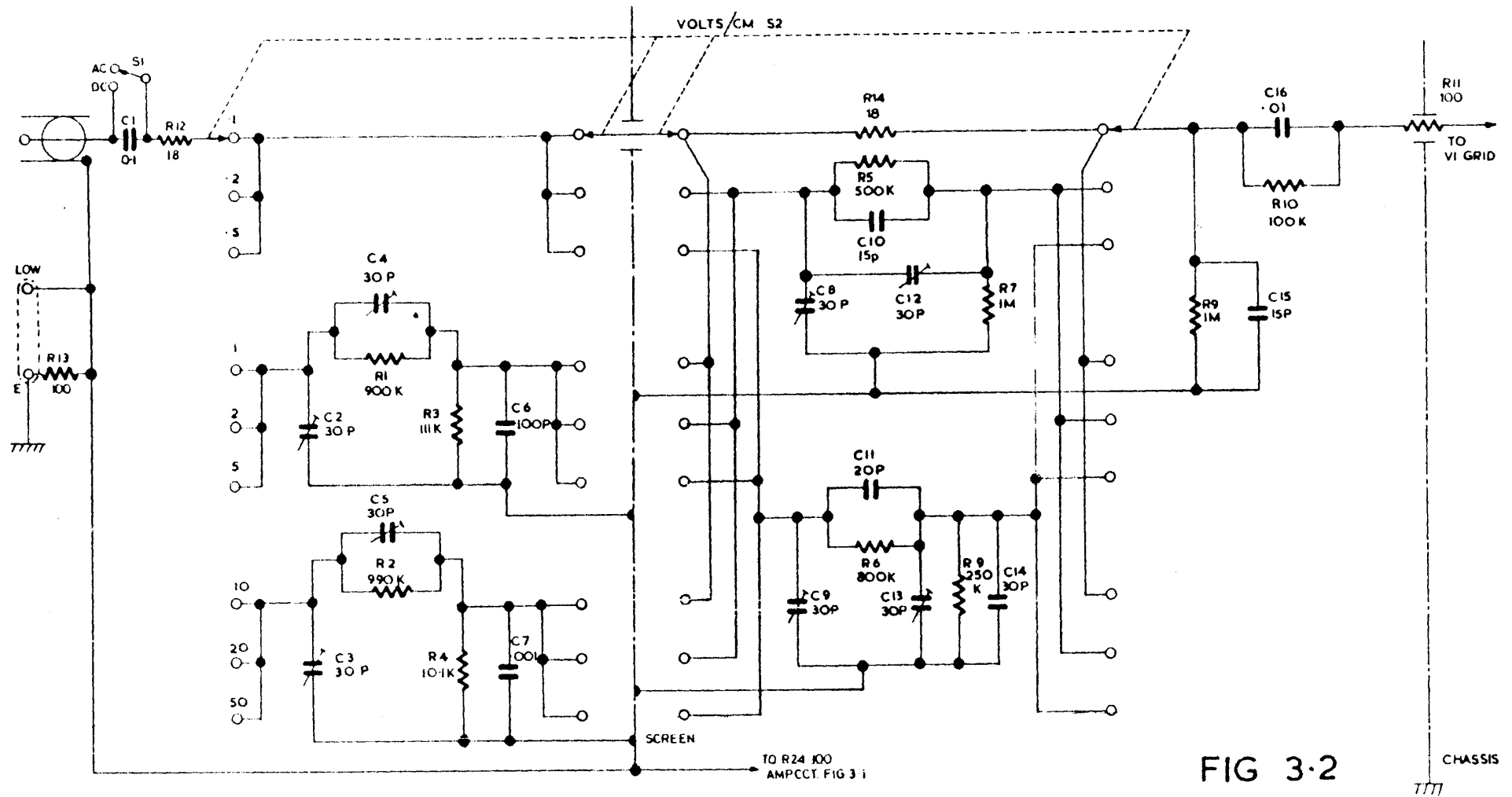


FIG 3-2

CHASSIS