
TEKTRONIX

MANUAL MODIFICATION INSERT

BATTERY REPLACEMENT

for

211 Serial Numbers B010100-- UP
212 Serial Numbers B010100--B113453
214 Serial Numbers B010100--B113464

Installed In Type _____ SN _____ Date _____

This modification insert is provided to supplement the manual for the above listed product(s). The information given in this insert supersedes that given in the manual.

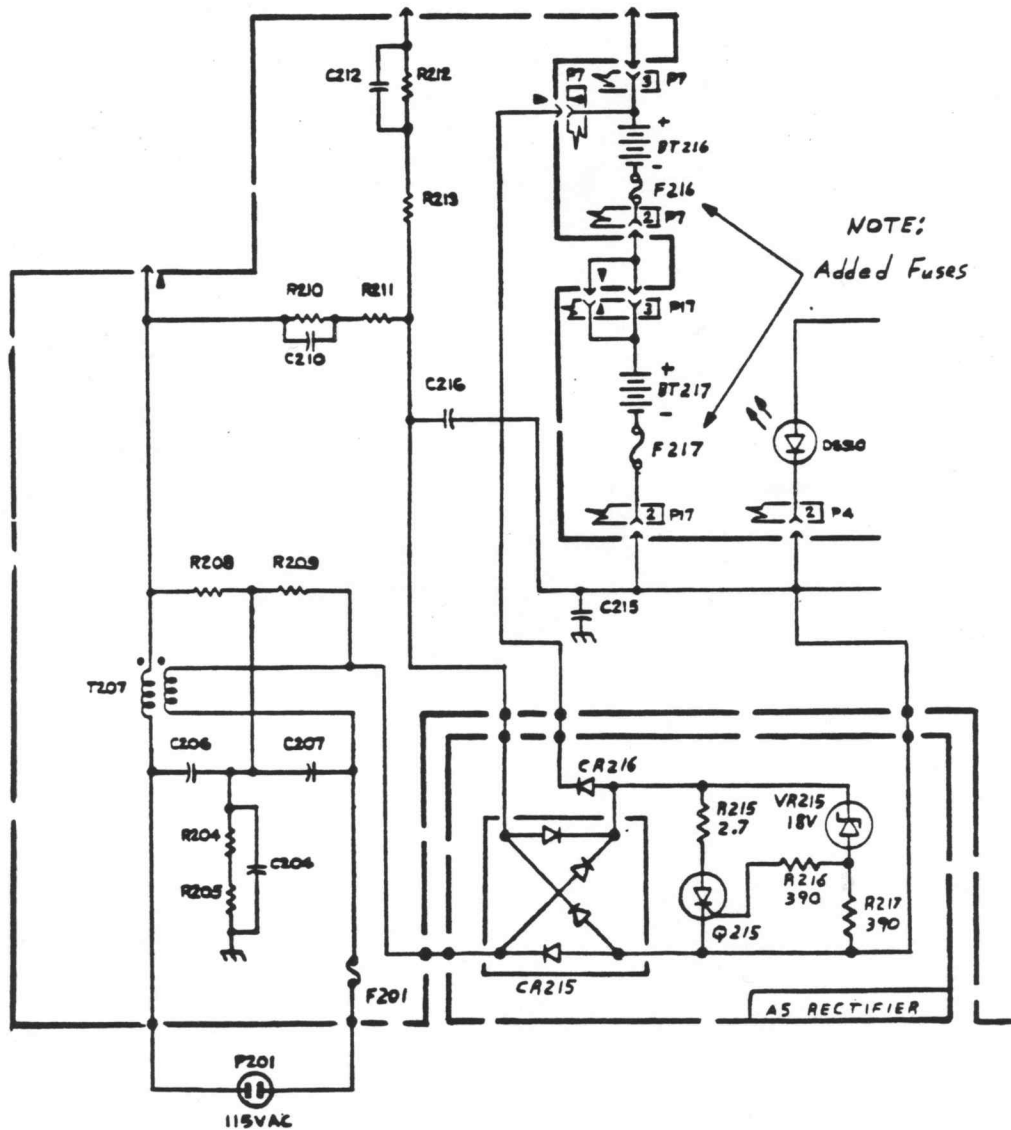
Copyright © 1984 by Tektronix, Inc., Beaverton, Oregon. Printed in the United States of America. All rights reserved. Contents of this insert may not be reproduced in any form without the permission of the copyright owner.

GENERAL INFORMATION

Battery Assembly, pn 146-0033-02, replaced Battery Assembly, pn 146-0033-00, which is no longer available. Use of the new assembly required removing CR215 from the Power Supply circuit board and replacing it with a circuit board (the A5 Rectifier Board).

CR 215 on the Power Supply board has been replaced with the new A5 RECTIFIER BOARD. The partial diagram below indicates how the A5 board is wired to the Power Supply Board.

Note that there are also two fuses (F216 and F217) being added to the battery packs. These are also shown in the partial diagram below.



REPLACEABLE ELECTRICAL PARTS

ADD:

CKT. NO.	PART NUMBER	DESCRIPTION
A5	670-8208-00	CKT BOARD ASSY: RECTIFIER
Q215	151-0503-00	SCR: SILICON
CR215	152-0585-00	SEMICON DVC. DI: RECT. SI. 200V. 1A
VR215	152-0590-00	SEMICON DVC. DI: ZEN. SI. 18V. 5%. 0.4W
F216	159-0220-00	FUSE, WIRE LEAD: 3A. 125V. FAST
F217	159-0220-00	FUSE, WIRE LEAD: 3A. 125V. FAST
R215	307-0103-00	RES. FXD. CMPSN: 2.7 Ω . 5%. 0.25W
R216	315-0391-00	RES. FXD. CMPSN: 390 Ω . 5%. 0.25W
R217	315-0391-00	RES. FXD. CMPSN: 390 Ω . 5%. 0.25W

CHANGE TO:

BT216	146-0033-02	BATTERY ASSY: SET OF 5
BT217	146-0033-02	BATTERY ASSY: SET OF 5

A5 RECTIFIER CIRCUIT BOARD

