

DATA SWITCH

155-0015-01 M020F

DESCRIPTION

A current-steering switching circuit designed specifically for the know-readout system.

Accepts nine inputs at currents in the range 0 mA - 1 mA and selects one under the control of a BCD code. The output is from an NPN collector. The inputs are virtual grounds within ± 100 mV of ground potential for input range of ± 1 mA.

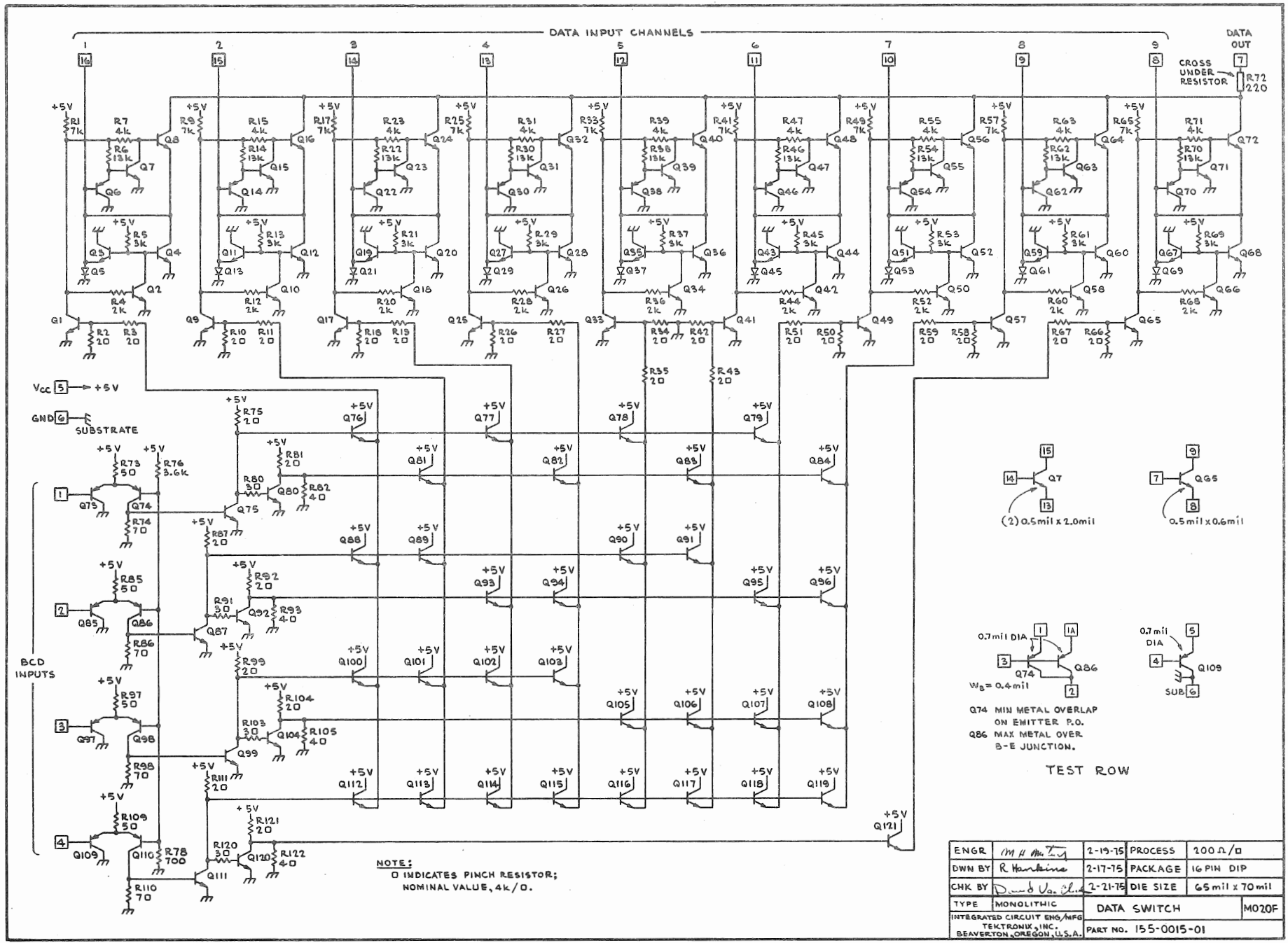
PROCESS 200 Ω /Sq

POWER SUPPLY. V_{CC} +5 Volts

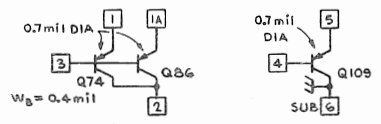
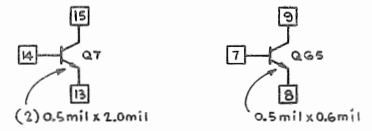
PACKAGE 16 DIP

DESIGNER Barrie Gilbert

INSTRUMENT USAGE 7704A 7904
A7704 7504
R7704 7514
5403 7313
5440 7613
5441 7633
5443 7603
7844 7603G
7913 7603H
7903 7603K
P7001



NOTE:
 O INDICATES PINCH RESISTOR;
 NOMINAL VALUE, 4k/0.



Q74 MIN METAL OVERLAP
 ON EMITTER P.O.
 Q86 MAX METAL OVER
 B-E JUNCTION.

TEST ROW

ENGR	M H M	2-19-75	PROCESS	100 Ω/□
DWN BY	R Hartline	2-17-75	PACKAGE	16 PIN DIP
CHK BY	David V. ...	2-21-75	DIE SIZE	65mil x 70mil
TYPE	MONOLITHIC	DATA SWITCH		MO20F
INTEGRATED CIRCUIT ENG./MFG.			TEKTRONIX, INC.	
BEAVERTON, OREGON, U.S.A.			PART NO. 155-0015-01	