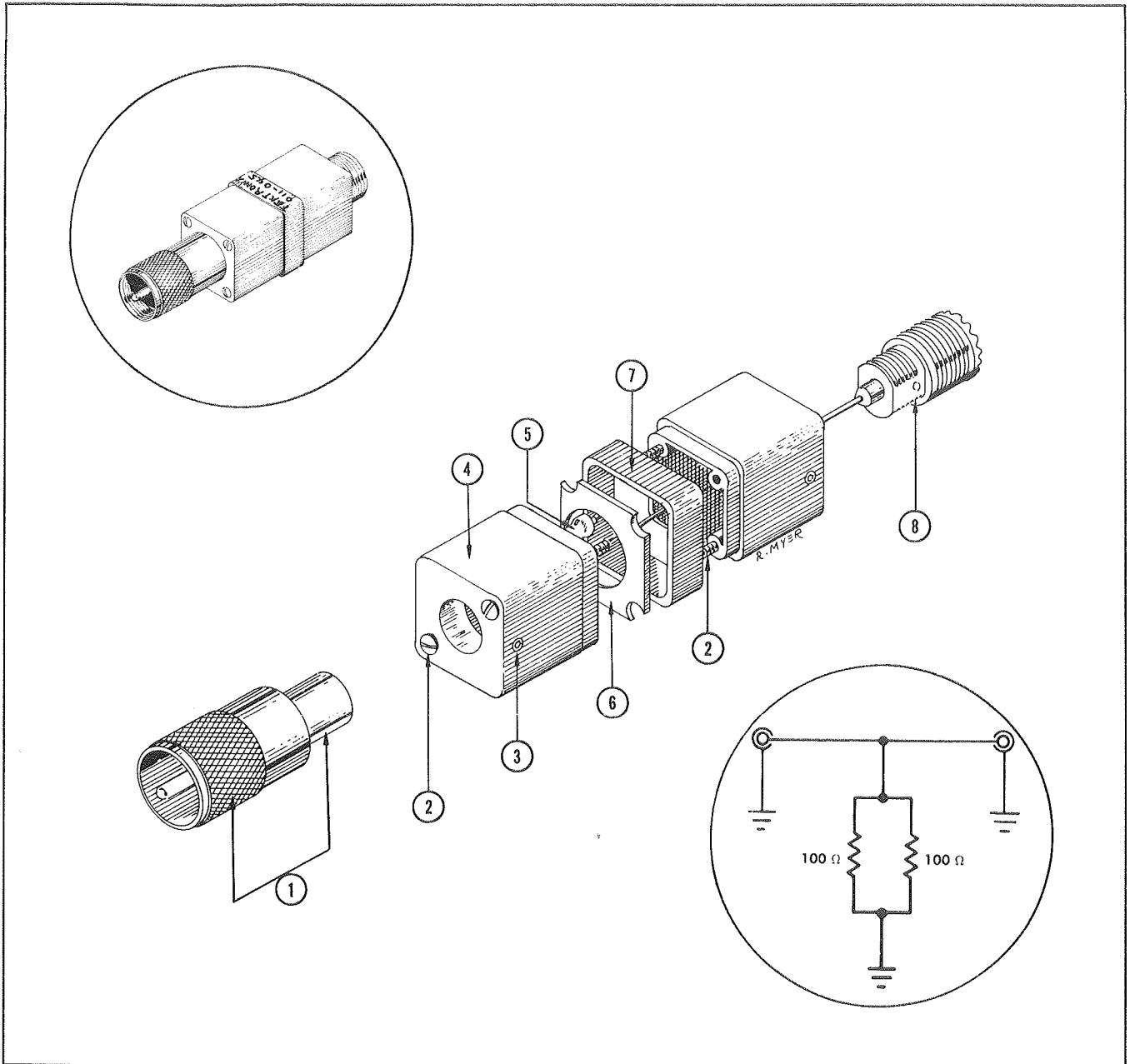


50 OHM TERMINATION, 1.5W (Part No. 011-0045-00)



REF. NO.	PART NO.	SERIAL/MODEL NO.		QTY.	DESCRIPTION
		EFF.	DISC.		
1	131-0058-00			1	CONNECTOR, coax., 1 contact, assembly
	- - - - -			-	Includes:
	200-0026-00			1	COVER, connector
	131-0196-00			1	CONNECTOR, 1 contact, male
2	211-0077-00			4	SCREW, 2-56 x 5/8 inch, OHS, phillips
	- - - - -			-	
3	213-0048-00			2	SCREW, set, 4-40 x 1/8 in. HSD
4	204-0075-00			2	BODY
5	323-0097-00			2	RESISTOR, 100 Ω prec metal film, 1/2 w \pm 1%
	- - - - -			-	
6	344-0052-00			1	CLIP, ground insert
7	354-0152-00			1	RING, indicator, brown
8	131-0191-00			1	CONNECTOR, UHF

DATA SHEET NO.
061-0446-00
October 1965
(Revised)

©, 1963, Tektronix, Inc.,
All rights reserved.