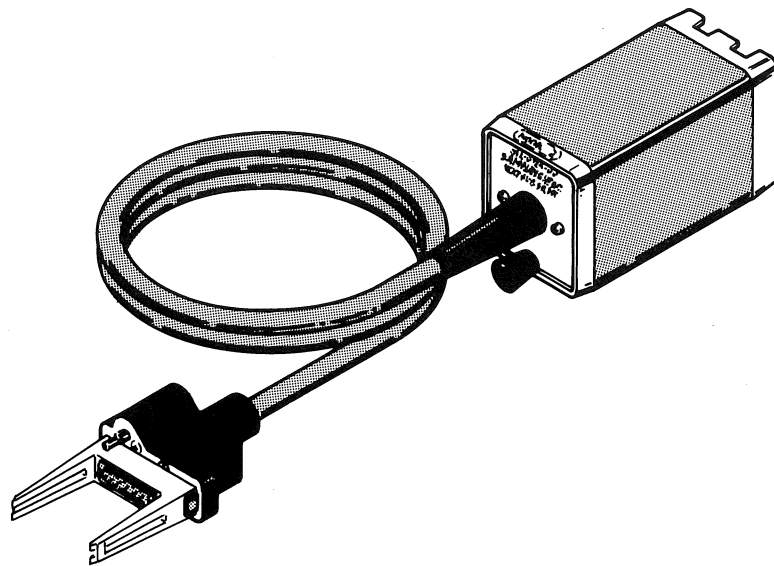


# CABLE CONNECTOR

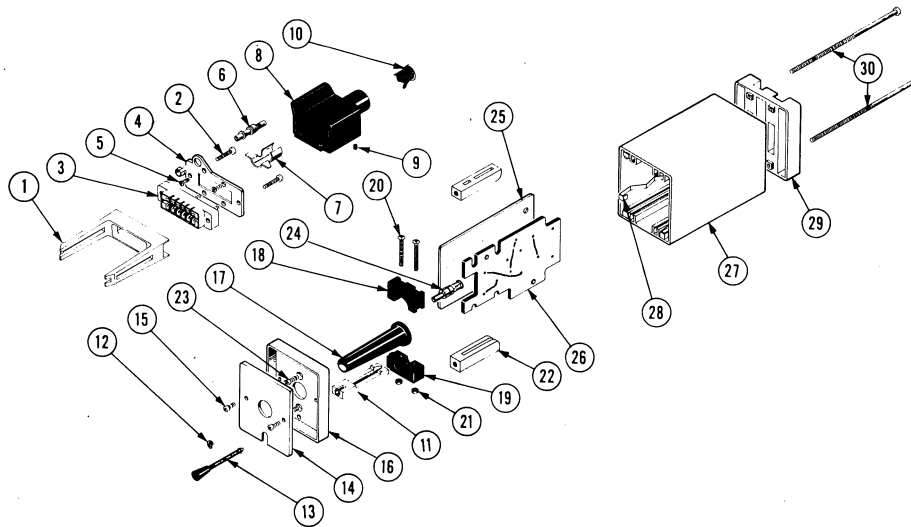
Part No. 012-0125-00



## DATA SHEET

NO. 062-0957-00  
DATE APRIL 1977 (R)

 COPYRIGHT © 1968  
TEKTRONIX INC.  
ALL RIGHTS RESERVED



**REPLACEABLE PARTS**

Fig. & Index No.	Tektronix Part No.	Serial/Model No. Eff	Dscont	Qty	1	2	3	4	5	Name & Description	Mfr Code	Mfr Part Number
-1	012-0125-00			1						CABLE,INTCON:	80009	012-0125-00
	351-0132-00			1						. GUIDE-CLIP:U SHAPE (ATTACHING PARTS)	80009	351-0132-00
-2	213-0082-00			2						. SCR,TPG,THD CTG:4-40 X 0.50 INCH,PNH STL	80009	213-0082-00
-3	131-0581-00			1						. CONN,RCPT,ELEC:12 CONTACT	05574	2VK6D2/1-2
-4	386-1397-00			1						. PL,RTNG,ELEC:CO (ATTACHING PARTS)	80009	386-1397-00
-5	211-0073-00		6905	4						. SCREW,MACHINE:2-56 X 0.218,FLH,SST	90123	OBD
	211-0112-00	6906		4						. SCREW,MACHINE:4-40 X 0.375"100DEG,FLH STL	83385	OBD
-6	131-0597-00			1						. CONN,RCPT,ELEC:FEMALE INNER CONDUCTOR	71468	DM53740-5001
-7	343-0166-00			1						. CABLE,CLAMP:	80009	343-0166-00
-8	205-0098-00			1						. SHELL,ELEC CONN: (ATTACHING PARTS)	80009	205-0098-00
-9	213-0195-00			2						. SETSCREW:2-56 X 0.188 INCH,HEX SOC STL	70276	OBD
-10	175-0488-00			FT						. CABLE,SP,ELEC:6 FEET LONG	80009	175-0488-00
	384-0687-00		7205	1						. SHAFT,LATCH:	80009	384-0687-00
	105-0066-00		7205	1						. STRIK,LATCH:	80009	105-0067-00
	214-1226-01		7205	1						. SPRING,HLCPS:0.18 OD X 0.44 INCH LONG	80009	214-1226-01
	105-0338-00	7206		1						. LATCH ASSEMBLY:	80009	105-0338-00
-11	105-0336-00	7206		1						. . STRIKE,CATCH:	80009	105-0336-00
-12	354-0163-00	7206		1						. . RING,RETAINING:TRUARC,CAD PLATE	79136	5133-12MD
-13	384-0687-01	7206		1						. . SHAFT,LATCH:	80009	384-0687-01
-14	333-1082-00			1						. PANEL,FRONT: (ATTACHING PARTS)	80009	333-1082-00
-15	211-0022-00			2						. SCREW,MACHINE:2-56 X 0.188 INCH,PNH STL	83385	OBD
-16	386-1338-05			1						. SUBPANEL,FRONT:	80009	386-1338-05
-17	200-0860-00			1						. CABLE NIP,ELEC: (ATTACHING PARTS)	80009	200-0860-00
-18	343-0168-00			1						. CLP HALF,STRAIN:SCREW HEAD SIDE	80009	343-0168-00
-19	343-0167-00			1						. CLP HALF,STRAIN:NUT SIDE	80009	343-0167-00
-20	211-0100-00			2						. SCREW,MACHINE:2-56 X 0.750 INCH,PNH,STL	83385	OBD
-21	210-0405-00			2						. NUT,PLAIN,HEX.:2-56 X 0.188 INCH,BRS	73743	2X12157-402
-22	352-0139-00			2						. HOLDER,CKT CD: (ATTACHING PARTS FOR EACH)	80009	352-0139-00
-23	211-0025-00			1						. SCREW,MACHINE:4-40 X 0.375 100 DEG,FLH STL	83385	OBD

Fig. & Index No.	Tektronix Part No.	Serial/Model No. Eff Dscont	Qty	1	2	3	4	5	Name & Description	Mfr Code	Mfr Part Number
-24	131-0565-00		1	.					CONTACT,ELEC:MALE INNER CONDUCTOR	71785	DM53742-5001
-25	386-1396-00		1	.					SPRT,CONN ALDR:	80009	386-1396-00
-26	388-1003-00		1	.					CIRCUIT CARD:	80009	388-1003-00
-27	380-0125-00		1	.					HSG,ELEK EQPT:	80009	380-0125-00
-28	131-0555-00		4	.					CONTACT,ELEC:	80009	131-0555-00
-29	386-1337-10		1	.					PANEL,REAR:	80009	386-1337-10
									(ATTACHING PARTS)		
-30	211-0141-00		4	.					SCREW,MACHINE:4-40 X 3.250,PNH,SST	77250	OBD
									- - - * - - -		
STANDARD ACCESSORIES											
	062-0957-00		1						DATA SHEET: 012-0125-00	80009	062-0957-00

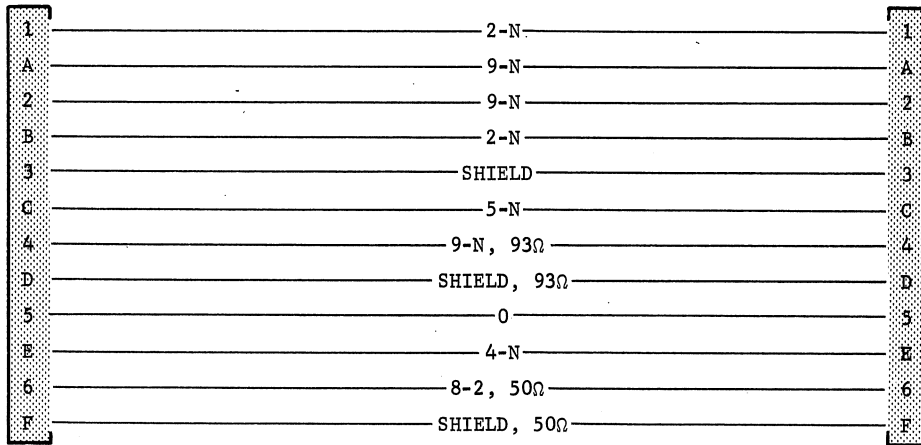
## CROSS INDEX—MFR. CODE NUMBER TO MANUFACTURER

Mfr. Code	Manufacturer	Address	City, State, Zip
05574	VIKING INDUSTRIES, INC.	21001 NORDHOFF	CHATSWORTH, CA 91311
70276	ALLEN MFG. CO.	P. O. DRAWER 570	HARTFORD, CT 06101
71468	ITT CANNON ELECTRIC	666 E. DYER RD.	SANTA ANA, CA 92702
71785	TRW ELECTRONIC COMPONENTS, CINCH CONNECTOR OPERATIONS	1501 MORSE AVE.	ELK GROVE VILLAGE, IL 60007
73743	FISCHER SPECIAL MFG. CO.	446 MORGAN ST.	CINCINNATI, OH 45206
77250	PHEOLL MANUFACTURING CO., DIVISION OF ALLIED PRODUCTS CORP.	5700 W. ROOSEVELT RD.	CHICAGO, IL 60650
79136	WALDES, KOHINOOR, INC.	47-16 AUSTEL PLACE	LONG ISLAND CITY, NY 11101
80009	TEKTRONIX, INC.	P.O. BOX 500	BEAVERTON, OR 97077
83385	CENTRAL SCREW CO.	2530 CRESCENT DR.	BROADVIEW, IL 60153
90123	ITT HARPER, INC.	8200 LEHIGH	MORTON GORVE, IL 60053

WIRING DIAGRAM

CIRCUIT BOARD

131-0581-00  
CONNECTOR



131-0565-00  
CONNECTOR, MALE

131-0597-00  
CONNECTOR, FEMALE

