

PRODUCT MODIFICATION SUMMARY  
DM502

INDEX PAGE: 1      TITLE: ATTENUATORS & CONVERSION CIRCUITS

SERIAL NUMBER	CLASS	CHANGE NUMBER	PAGE	KIT PN	KIT PAGE
B010370	3	PC-5			

To increase the range of the dB zero adjustment, R205, a 200k $\Omega$  variable resistor, was replaced with a 250k $\Omega$ , 1/2W variable resistor (pn 311-1553-00).

SERIAL NUMBER	CLASS	CHANGE NUMBER	PAGE	KIT PN	KIT PAGE
B020590	3	M23279	101.01		

To improve the linearity at low frequencies in the dB mode and prevent component damage due to high input voltages, several changes were made to the Attenuators and Conversion circuits.

SERIAL NUMBER	CLASS	CHANGE NUMBER	PAGE	KIT PN	KIT PAGE
NA	3	S24284			

To facilitate calibration of the dB zero and -20dB adjustments, R203 was made a test selectable component with the nominally installed value remaining at 825k $\Omega$  (pn 321-0473-00).

SERIAL NUMBER	CLASS	CHANGE NUMBER	PAGE	KIT PN	KIT PAGE
B024350	3	M24253-1	101.02		

To facilitate calibration by reducing the need to select components, several changes were made on the Main and Main (Option 2) circuit boards which changed part numbers from 670-3495-01 and 670-3694-01 to 670-3495-02 and 670-3694-02, respectively.

PRODUCT MODIFICATION SUMMARY  
DM502

INDEX PAGE: 1      TITLE: ATTENUATORS & CONVERSION CIRCUITS

SERIAL NUMBER	CLASS	CHANGE NUMBER	PAGE	KIT PN	KIT PAGE
B025900	3	M30472	101.03		

Possible erroneous readings on the 20V, 200V and sometimes the 500V AC ranges at frequencies from 100Hz to 2kHz caused by capacitance variations in various batches of circuit boards.

PRODUCT MODIFICATION SUMMARY  
DM502

INDEX PAGE: 2      TITLE: INTEGRATOR, A/D CONVERTER, DISPLAY

SERIAL NUMBER	CLASS	CHANGE NUMBER	PAGE	KIT PN	KIT PAGE
B024350	3	M24253-1	101.02		

To facilitate calibration by reducing the need to select components, several changes were made on the Main and Main (Option 2) circuit boards which changed part numbers from 670-3495-01 and 670-3694-01 to 670-3495-02 and 670-3694-02, respectively.

SERIAL NUMBER	CLASS	CHANGE NUMBER	PAGE	KIT PN	KIT PAGE
B024350	3	M24253-2	102.01	050-0807-00	102.02

To increase availability, the display LED's were replaced. The Display circuit board part number changed from 670-3509-00 to 670-3509-01. To accommodate the replacement of the LED's, several component changes were made on the Main circuit boards.

PRODUCT MODIFICATION SUMMARY  
DM502

INDEX PAGE: 3      TITLE: POWER SUPPLY, SWITCH LOGIC

SERIAL NUMBER	CLASS	CHANGE NUMBER	PAGE	KIT PN	KIT PAGE
B010280	3	PC-6			

To reduce transformer noise at the input connectors, C429, a 0.001 $\mu$ F, 3kV ceramic capacitor, pn 283-0279-00, was added from the chassis ground side of C405 to the floating ground side of C440. Superseded by M23279.

SERIAL NUMBER	CLASS	CHANGE NUMBER	PAGE	KIT PN	KIT PAGE
B020590	3	M23279	101.01		

To improve the linearity at low frequencies in the dB mode and prevent component damage due to high input voltages, several changes were made to the Attenuators and Conversion circuits. Supersedes PC-6.

SERIAL NUMBER	CLASS	CHANGE NUMBER	PAGE	KIT PN	KIT PAGE
B028180	3	M31255			

To assure that the + and - 12V power supplies are set at the correct level, R422 was made a test selected resistor with a nominal value of 30.1k $\Omega$  (pn 321-0335-00).

SERIAL NUMBER	CLASS	CHANGE NUMBER	PAGE	KIT PN	KIT PAGE
B032360	2	M31539			

To prevent burning of Main circuit board, pn 670-3495-02, due to over-dissipation of R400 and R405, two 1/2W, 680 $\Omega$  resistors were replaced with 3W resistors, pn 308-0314-00, and the circuit board part number changed to 670-3495-03.



PRODUCT MODIFICATION SUMMARY  
DM502

INDEX PAGE: 4      TITLE: MISCELLANEOUS

SERIAL NUMBER	CLASS	CHANGE NUMBER	PAGE	KIT PN	KIT PAGE
B010750	3	PC-7			

To improve the function switch knob alignment, a plastic grommet (pn 348-0031-00) was added to the cam shaft hole in the front panel. The diameter of the hole was reduced from 0.250 inch to 0.1590 inch.

SERIAL NUMBER	CLASS	CHANGE NUMBER	PAGE	KIT PN	KIT PAGE
B022320	3	M23702			

(pn 334-2657-00) was added to the temperature probe (pn 010-6430-00).

SERIAL NUMBER	CLASS	CHANGE NUMBER	PAGE	KIT PN	KIT PAGE
B027630	3	M24251	104.02	050-1077-00	104.02

To ensure the plug-in latch functions easily and adequately, the latch assembly was replaced with a new latch assembly.

SERIAL NUMBER	CLASS	CHANGE NUMBER	PAGE	KIT PN	KIT PAGE
B027780	3	M30470	104.03		

To improve the support of plug-ins at the interface connector, two support pins and two washers were added to the bottom frame rail.

SERIAL NUMBER	CLASS	CHANGE NUMBER	PAGE	KIT PN	KIT PAGE
B032620	3	M33052			

To prevent the latch knob from disengaging from the plug-in latch retaining bar when the plug-in is removed from the power module, the latch release bar was redesigned and the part number was changed from 105-0718-00 to 105-0718-01.

PRODUCT MODIFICATION SUMMARY  
DM502

INDEX PAGE: 4      TITLE: MISCELLANEOUS

SERIAL NUMBER	CLASS	CHANGE NUMBER	PAGE	KIT PN	KIT PAGE
B033790	3	M32382			

To prevent cracking of subpanels when mounting to front of frame sections, two mounting screws, pn 213-0229-00 (6-20 x 0.375) were replaced with two screws, pn 213-0123-00 (6-32 x 0.375).

SERIAL NUMBER	CLASS	CHANGE NUMBER	PAGE	KIT PN	KIT PAGE
B034020	3	M31896			

Plug-in support was modified to facilitate assembly and to prevent damage during installation. The part number changed from 386-3657-00 to 386-3657-01.

SERIAL NUMBER	CLASS	CHANGE NUMBER	PAGE	KIT PN	KIT PAGE
B035473 B035471	OPTION 2 3	M38698			

To facilitate manufacturing, the 4-40 x 0.312 inch, double sems. screw-washer assembly, pn 211-0116-00, was replaced with a 4-40 x 0.290 inch, square cone, flat rim, screw-washer assembly, pn 211-0292-00

PRODUCT MODIFICATION SUMMARY  
DM502

MODIFICATION KITS

<u>USABLE SN RANGE</u>	<u>KIT TITLE</u>	<u>PAGE NO.</u>	<u>LABOR TIME</u>	<u>KIT</u>	<u>PN</u>
NONE					



PRODUCT MODIFICATION SUMMARY  
DM502

PARTS REPLACEMENT KITS

USABLE SN RANGE	KIT TITLE	PAGE NO.	LABOR TIME	KIT PN
B010100 - B024349	DISPLAY CIRCUIT BOARD REPLACEMENT	102.02	1.0h	050-0807-00
B010100 - B027629	PLUG-IN LATCH ASSEMBLY REPLACEMENT	104.02	----	050-1077-00



# product modification

M23279

Type DM502

## dB LINEARITY IMPROVED

Effective Prod SN B020590

To improve the linearity at low frequencies in the dB mode and prevent component damage due to high input voltages, several changes were made to the Attenuators and Conversion Circuits. Several components in the output network of U196 were changed to improve dB linearity. C429 was removed (Supersedes PC-6) from the Power Supply circuit and C110, .001 $\mu$ F was added to LO input circuit to prevent high voltage component damage.

### PARTS REMOVED:

670-3495-00	Main Circuit Board for DM502
670-3694-00	Main Circuit Board for DM502 Option 2 (950B)

### PARTS ADDED:

C110	283-0279-00	Capacitor, Cer., .001 $\mu$ F 3KV $\pm$ 20%
	670-3495-01	Main Circuit Board for DM502
	670-3694-01	Main Circuit Board for DM502 Option 2 (950B)

The new Main Circuit Board 670-3495-01 and 670-3694-01 are the same as 670-3495-00 and 670-3694-00 except as follows:

### PARTS REMOVED:

C199	290-0512-00	Capacitor, Elect., Tant., .22 $\mu$ F 15V $\pm$ 20%
C197	290-0525-00	Capacitor, Elect., Tant., 4.7 $\mu$ F 50V $\pm$ 20%
C198	290-0536-00	Capacitor, Elect., Tant., 10 $\mu$ F 25V $\pm$ 20%
C429	283-0299-00	Capacitor, Cer., .001 $\mu$ F 3KV $\pm$ 20%
R198, R199	321-0219-00	Resistor, Prec., 1.87K 1/8W 1%

### PARTS ADDED:

C198	290-0527-00	Capacitor, Elect., Tant., 15 $\mu$ F 20V $\pm$ 20%
C199	290-0535-00	Capacitor, Elect., Tant., 33 $\mu$ F 10V $\pm$ 20%
C197	290-0536-00	Capacitor, Elect., Tant., 10 $\mu$ F 25V $\pm$ 20%
R198, R199	321-0202-00	Resistor, Prec., 1.24K 1/8W 1%
R200		

© 1975, Tektronix, Inc.  
All Rights Reserved

01-30-75

Page 1 of 3  
101.01



INSTRUCTIONS:

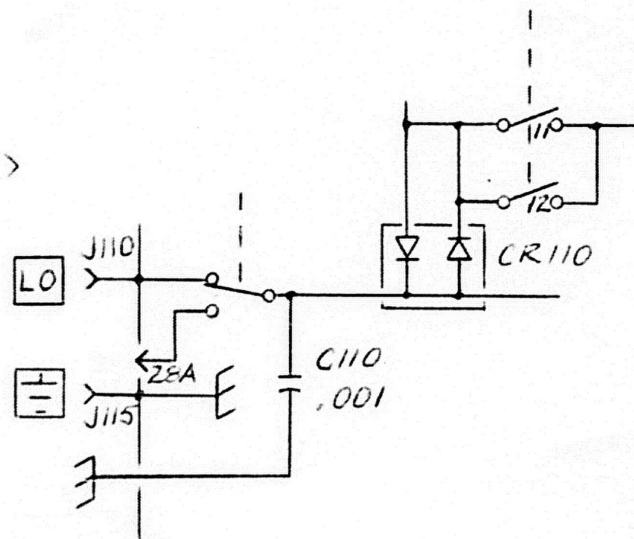
To improve dB linearity make the following changes:

1. Cut the run from R199 to S200 on the back of the Main Circuit Board as shown in Fig. 1.
2. Change the value of the following components on the Main Circuit Board:
  - a. C197 from  $4.7\mu\text{F}$  to  $10\mu\text{F}$ .
  - b. C198 from  $10\mu\text{F}$  to  $15\mu\text{F}$ .
  - c. C199 from  $22\mu\text{F}$  to  $33\mu\text{F}$ .
  - d. R198 and R199 from  $1.87\text{K}$  to  $1.24\text{K}$ .
3. Add R200,  $1.24\text{K}$ , from R199 to S200 on the back of the circuit board as shown in Fig. 1. When installing R200, mount the resistor so that there is a minimum of  $1/4''$  clearance between the circuit board and the resistor.

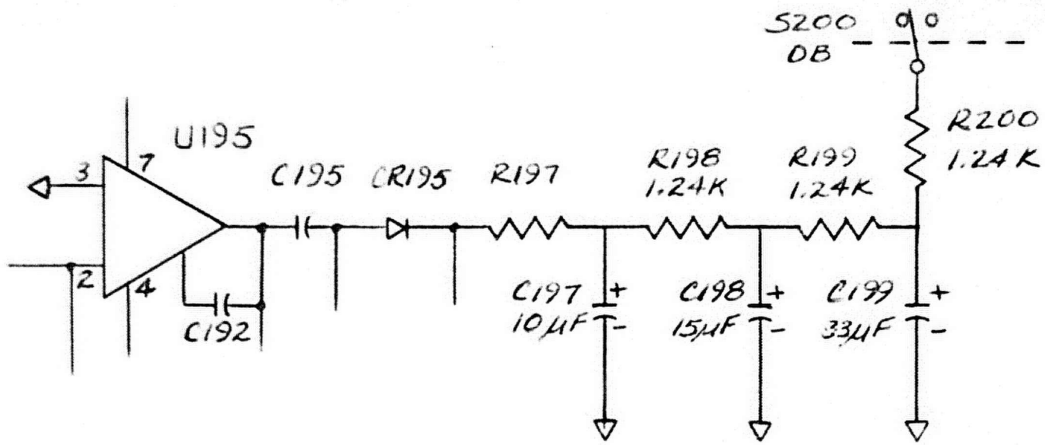
To prevent high voltage component damage make the following changes.

4. Remove C429,  $.001\mu\text{F}$ , (Supersedes PC-6)
5. Add C110,  $.001\mu\text{F}$ , from the LO input of S110 on the back of the circuit board to chassis ground (terminal lug connected to Front Panel Ground Binding Post). See Fig. 1.

See Attached partial schematic for additional details.



Partial - ATTENUATORS & CONVERSION  
CIRCUITS ①



Partial - ATTENUATORS & CONVERSION CIRCUITS 1

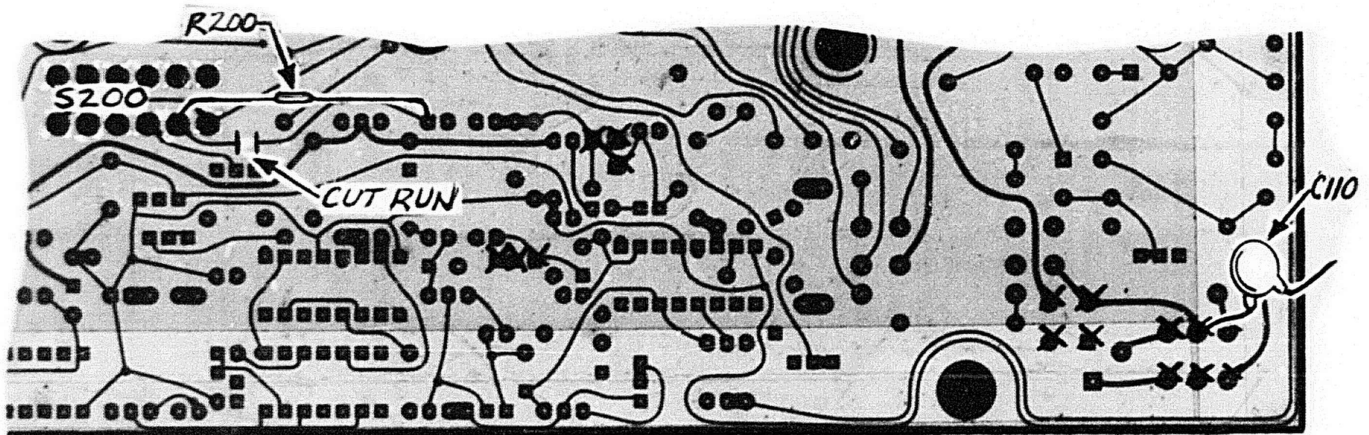


Fig. 1 Partial Back View of the Main Circuit Board



# product modification

24253-1


Type DM502

## CALIBRATION FACILITATED

Effective Prod SN B024350

To facilitate calibration by reducing the need to select components, the following changes were made on the Main circuit boards:

1. C158, 0.015 $\mu$ F, which was in parallel with C157, was removed.
2. C157 was changed from 0.01 $\mu$ F to 0.025 $\mu$ F.
3. R172 and R297 were changed from 100k $\Omega$  1% resistors to 100k $\Omega$  0.1% resistors.
4. R305, 10k $\Omega$  variable, was replaced with a 20k $\Omega$  variable.
5. On the Main circuit board (670-3495-00), R269 was changed from 768 $\Omega$  to 619 $\Omega$  while R270, 100 $\Omega$  variable, was replaced with a 250 $\Omega$  variable resistor.

With the above changes, the Main circuit board w/cam switch assemblies changed part numbers as indicated below. Also the part numbers of the Main circuit boards were changed. M24253-2 was incorporated into these new Main circuit boards at the same time. See M24253-2 on index page  for further details.

### PARTS REMOVED:

672-0478-00 Assembly, Main ckt. bd. w/cam sw.  
672-0479-00 Assembly, Main (Opt. 2) ckt. bd. w/cam sw.

### PARTS ADDED:

672-0478-02 Assembly, Main ckt. bd. w/cam sw.  
672-0479-01 Assembly, Main (Opt. 2) ckt. bd. w/cam sw.

The new Main circuit board with cam switch assembly, 672-0478-02, is the same as 672-0478-00 except as follows:

### PARTS REMOVED:

A1 670-3495-01 Circuit board, Main (Standard)

### PARTS ADDED:

A1 670-3495-02 Circuit board, Main (Standard)

The new Main (Option 2) circuit board with cam switch assembly 672-0479-01, is the same as 670-0479-00 except as follows:

### PARTS REMOVED:

A1 670-3694-01 Circuit board, Main (Option 2)

(Cont'd)

## PARTS ADDED:

A1                    670-3694-02    Circuit board, Main (option 2)

The new Main (Standard) and Main (Option 2) circuit boards, 670-3495-02 and 670-3694-02, respectively, are the same as 670-3495-01 and 670-3694-01 except as follows:

## PARTS REMOVED:

C157	285-0596-00	Capacitor, plastic, 0.01 $\mu$ F 1% 100V
C158	285-0719-00	Capacitor, plastic, 0.015 $\mu$ F 5% 100V
R172, R297	321-0385-00	Resistor, prec., 100k $\Omega$ 1% 0.125W
R269*	321-0182-00	Resistor, prec., 768 $\Omega$ 1% 0.125W
R270*	311-1222-00	Resistor, var., 100 $\Omega$ 20% 0.5W
R305	311-1228-00	Resistor, var., 10k $\Omega$ 20% 0.5W

## PARTS ADDED:

C157	285-1113-00	Capacitor, plastic, 0.025 $\mu$ F 1% 200V
R172, R297	321-0385-04	Resistor, prec., 100k $\Omega$ 0.1% 0.125W
R269*	321-0173-00	Resistor, prec., 619 $\Omega$ 1% 0.125W
R270*	311-1223-00	Resistor, var., 250 $\Omega$ 10% 0.5W
R305	311-1230-00	Resistor, var., 20k $\Omega$ 20% 0.5W

\* Applies to Main (Standard) circuit board only.





# product modification

30472

Type DM502

C145-R144 ADDED

Effective Prod SN B025900

Possible erroneous readings on the 20V, 200V and sometimes the 500 Volt AC ranges at frequencies from 100Hz to 2kHz caused by capacitance variations between batches of circuit boards was corrected by adding a test selectable, series connected, resistor-capacitor combination in parallel with C146.

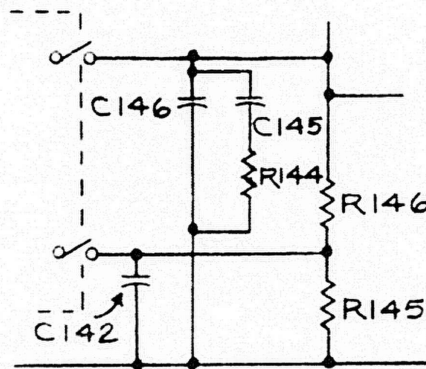
PARTS REMOVED:

NONE

PARTS ADDED:

C145	Test Selected
R144	Test Selected

DIAGRAM 1 ATTENUATORS & CONVERSION CIRCUITS - Partial







# product modification

24253-2

Type DM502

## DISPLAY LED's REPLACED

Effective Prod SN B024350

In order to increase the availability, the Display LED's were replaced as indicated in the parts list below. To accommodate the new LED's the following changes were made on the Main circuit boards:

1. Q375, a 2N3565, and R374, 10k $\Omega$ , were removed because of the difference in selecting + and - signs in the new LED used for DS365.
2. The following resistors were changed from 200 $\Omega$  to 510 $\Omega$ : R370, R372, R377, R382, R383 and R340 through R346.

With the replacement of the LED's, the Display circuit board changed part number as indicated below. Changes were made to the Main circuit boards requiring the changing of the circuit board and circuit board with cam switch assembly part numbers which are listed below. M24253-1 was performed at the same time and is included in the new part numbers. For details on M24253-1, refer to index page  $\diamond$  1.

### PARTS REMOVED:

A2	670-3509-00	Circuit board, Display
	672-0478-00	Assembly, Main ckt. bd. w/cam sw.
	672-0479-00	Assembly, Main (Opt. 2) ckt. bd. w/cam sw.

### PARTS ADDED:

A2	670-3509-01	Circuit board, Display
	672-0478-02	Assembly, Main ckt. bd. w/cam sw.
	672-0479-01	Assembly, Main (Opt. 2) ckt. bd. w/cam sw.

The new Main circuit board with cam switch assembly, 672-0478-02, is the same as 672-0478-00 except as follows:

### PARTS REMOVED:

A1	670-3495-01	Circuit board, Main (Standard)
----	-------------	--------------------------------

### PARTS ADDED:

A1	670-3495-02	Circuit board, Main (standard)
----	-------------	--------------------------------

The new Main (Option 2) circuit board with cam switch assembly, 672-0479-01, is the same as 672-0479-00 except as follows:

(Cont'd)

## PARTS REMOVED:

A1 670-3694-01 Circuit board, Main (Option 2)

## PARTS ADDED:

A1 670-3694-02 Circuit board, Main (Option 2)

The new Main (Standard) and Main (Option 2) circuits board, 670-3495-02 and 670-3694-02, are the same as 670-3495-01 and 670-3694-02, respectively, except as follows:

## PARTS REMOVED:

Q375 151-0341-00 Transistor, Si, NPN, 2N3565

R340, R341  
R342, R343  
R344, R345  
R346301-0201-00 Resistor, comp., 200 $\Omega$  5% 0.5WR370, R372  
R377, R382  
R383315-0201-00 Resistor, comp., 200 $\Omega$  5% 0.25W

R374

315-0103-00 Resistor, comp., 200 $\Omega$  5% 0.25W

## PARTS ADDED:

R340, R341  
R342, R343  
R344, R345  
R346301-0511-00 Resistor, comp., 510 $\Omega$  5% 0.5WR370, R372  
R377, R382  
R383315-0511-00 Resistor, comp., 510 $\Omega$  5% 0.25W

The new Display circuit board, 670-3509-01, is the same as 670-3509-00 except as follows:

## PARTS REMOVED:

DS350, DS355 150-1022-00 Lamp, LED, red  
DS360

DS365 150-1021-00 Lamp, LED, red

## PARTS ADDED:

DS350, DS355 150-1037-00 Lamp, LED, orange  
DS360

DS365 150-1038-00 Lamp, LED, orange



# product modification

050-0807-00

M24253

Type DM502

## DISPLAY CIRCUIT BOARD REPLACEMENT

For TEKTRONIX<sup>®</sup> DM502 Digital Multimeters

Serial Numbers B010100 - B024349

Display circuit board PN 670-3509-01 with new LED's replaces Display circuit board PN 670-3509-00 which is no longer.

Due to differences in characteristics between the old and new LED's, it is necessary to change the value of several resistors on the Main circuit board, and to remove one resistor and one transistor which are not required with the new LED's.

NOTE: If the serial number of your instrument is above those listed, or if this kit has been installed, disregard the instructions and use 670-3509-01 as a direct replacement.

©1976, Tektronix, Inc.  
All Rights Reserved

8-25-76

Page 1 of 3

102.02

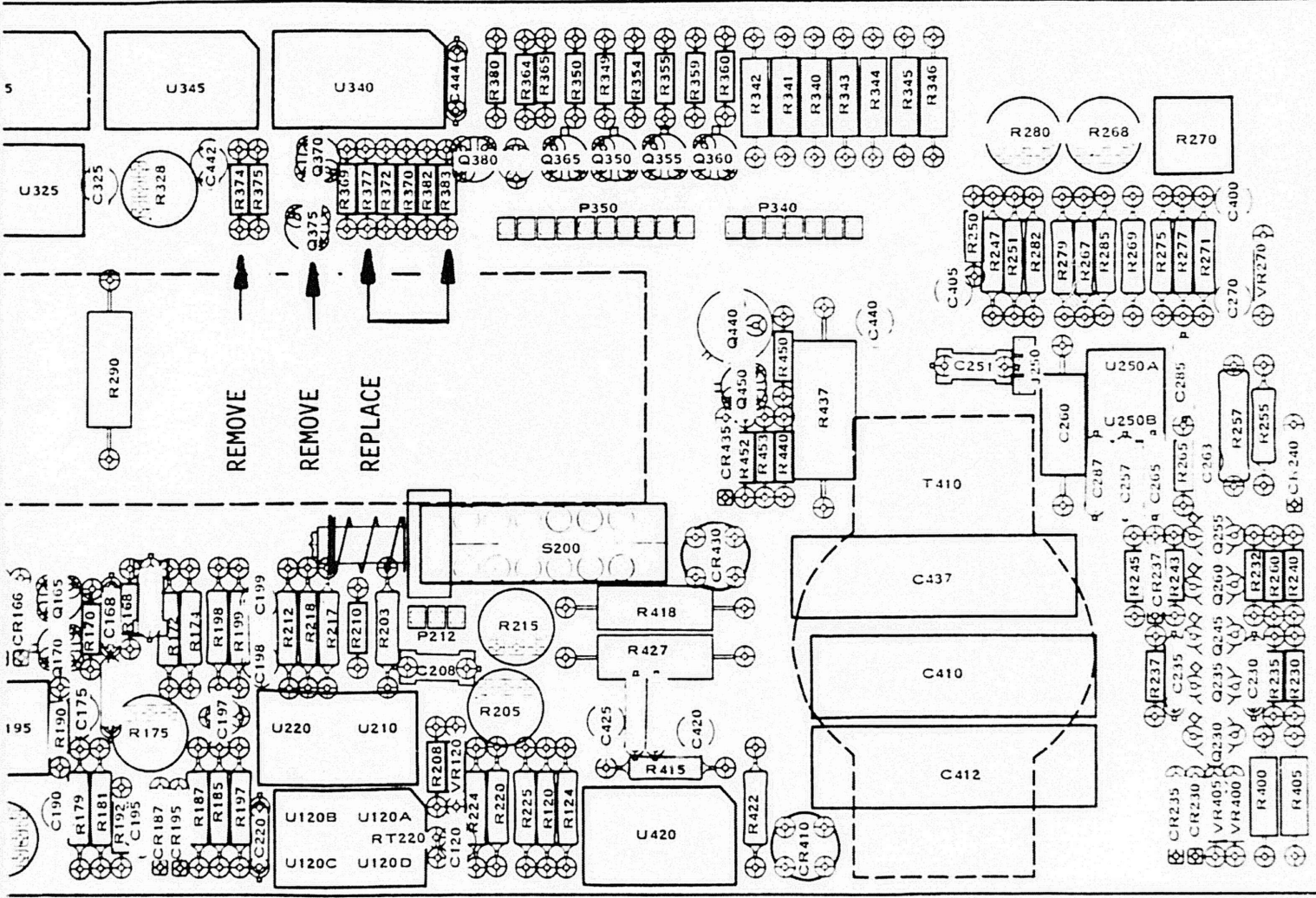


PARTS INCLUDED IN PARTS REPLACEMENT KIT

Ckt No	Quantity	Part Number	Description
R340, R341 R342, R343 R344 R345, R346	7 ea	301-0511-00	Resistor, comp 510Ω 1/2W 5%
R370, R372 R377 R382, R383	5 ea	315-0511-00	Resistor, comp. 510Ω 1/4W 5%
	1 ea	670-3509-01	Circuit board, Display

PARTIAL MAIN CIRCUIT BOARD

REPLACE



1 2 3 4 5 6 7 8 9 10 11 12 13 14 15 16 17 18 19 20 21 22 23 24 25 26 27 28

## INSTRUCTIONS

- ( ) 1. Remove both electrical shields.
- ( ) 2. Disconnect the seven conductor ribbon wire w/red holder from P342 and disconnect the ten conductor ribbon wire w/white holder from P352.
- ( ) 3. Remove the two 2-56 X .375 inch screws that fasten the bottom of the Display circuit board to the front panel and remove the Display circuit board.
- ( ) 4. Install the new Display circuit board using the #2 hardware removed in Step 3 and connect the multi ribbon cables to P342 and P352.

Make the following changes on the Main circuit board.

- ( ) 5. Remove Q375 and R374.
- ( ) 6. Replace R340 thru R346, seven  $200\Omega$  1/2W 5% composition resistors, with the  $510\Omega$  1/2W 5% composition resistors from the kit.
- ( ) 7. Replace R370, R372, R377, R382 and R383, five  $200\Omega$  1/4W 5% composition resistors, with the  $510\Omega$  1/4W 5% composition resistors from the kit.

NOTE: Replacing the LEDs does not affect the calibration of your DM502 Digital Multimeter.

For future reference, correct the Electrical Parts List in your Instruction Manual as shown in the kit Parts List and show Q375 and R374 as Delete.





# product modification

24251

Type DM502

## IMPROVED PLUG-IN LATCH

Effective Prod SN B027630

To insure the plug-in latch functions easily and adequately, the plug-in retaining latch, knob securing pin and latch knob were replaced with a new plug-in retaining latch, release bar and latch knob.

### PARTS REMOVED:

214-1513-01	Latch, plug-in retaining
214-1840-00	Pin, knob securing
366-1422-01	Knob, latch

### PARTS ADDED:

105-0718-00	Bar, latch release
105-0719-00	Latch, plug-in retaining
366-1690-00	Knob, latch

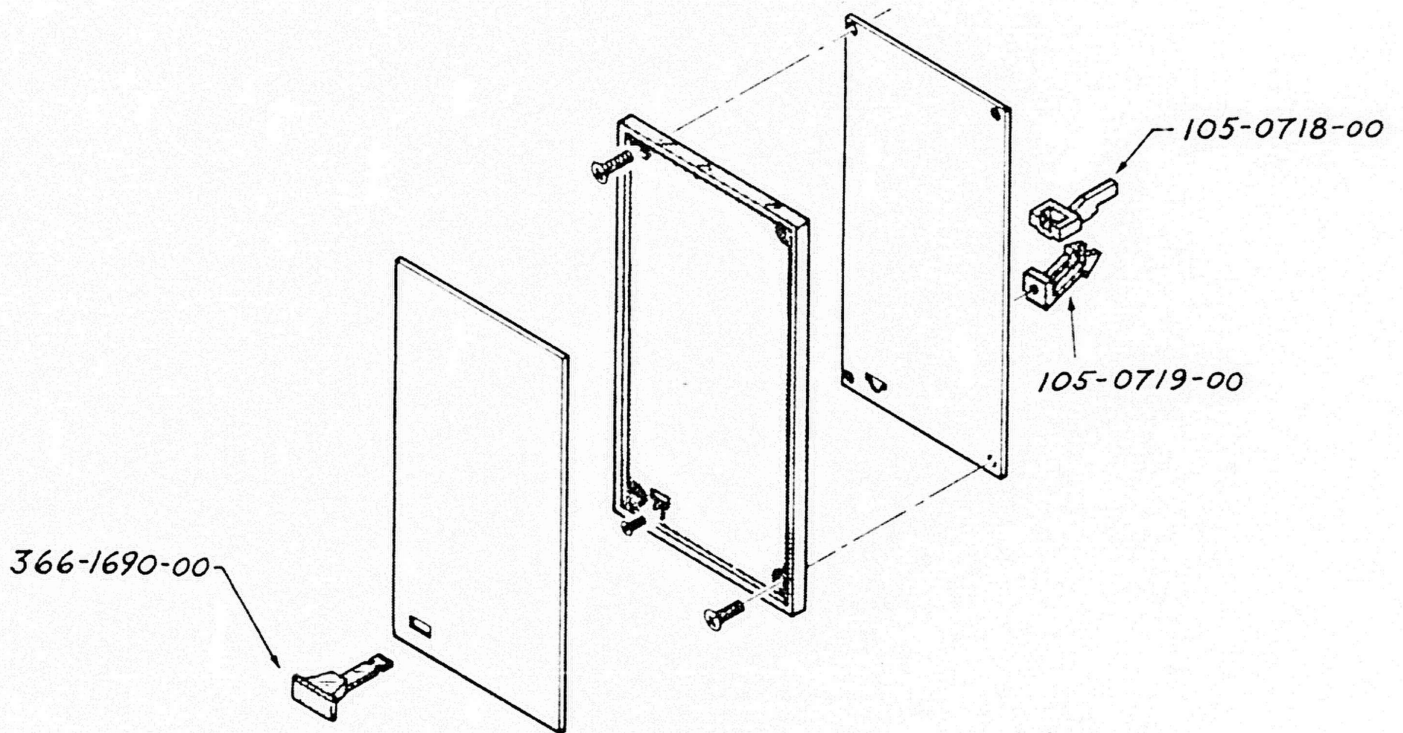
(continued)

© 1977, Tektronix, Inc.  
All Rights Reserved

9-16-77

Page 1 of 2  
104.01

(continued)



LATCH ASSEMBLY



# product modification

050-1077-00

M24251, M33052  
M33270, M34461  
M39043, M40258

## PLUG-IN LATCH ASSEMBLY REPLACEMENT

For the following TEKTRONIX® Plug-Ins:

AF501	SN B01000 - B021069	SC501	SN B01000 - B051759
AM501	SN B01000 - B031999	SC502	SN B01000 - B022399
AM502	SN B01000 - B053579	SG502	SN B01000 - B072369
AM503	SN B01000 - B036697	SG503	SN B01000 - B063069
AM511	SN B01000 - B020209	SG504	SN B01000 - B010569
DC501	SN B01000 - B071539	SW503	SN B01000 - B020829
DC502	SN B01000 - B081989	TG501	SN B01000 - B033149
DC503	SN B01000 - B166789	TR501	SN B01000 - B020281
DC504	SN B01000 - B033829	TR502	SN B01000 - B030642
DC505	SN B01000 - UP	067-0680-00	SN B01000 - B020310
DC505A	SN B01000 - B031829	5A13N	SN B01000 - B039999
DD501	SN B01000 - B021240	5A14N	SN B01000 - B063428
DM501	SN B01000 - B151349	5A15N	SN B01000 - B081087
DM502	SN B01000 - B027629	5A18N	SN B01000 - B106175
FG501	SN B01000 - B128319	5A19N	SN B01000 - B033041
FG502	SN B01000 - B034499	5A20N	SN B01000 - UP
FG503	SN B01000 - B023229	5A21N	SN B01000 - B069999
FG504	SN B01000 - B031174	5A22N	SN B01000 - B054430
LA501	SN B01000 - B021179	5A23N	SN B01000 - B054972
MR501	SN B01000 - UP	5A24N	SN B01000 - B047242
PG501	SN B01000 - B084159	5A26	SN B01000 - B019999
PG502	SN B01000 - B031742	5A45	SN B01000 - B031285
PG505	SN B01000 - B021999	5B10N	SN B01000 - B088662
PG506	SN B01000 - B032479	5B12N	SN B01000 - B065857
PG508	SN B01000 - B021102	5B13N	SN B01000 - B082989
PS501	SN B01000 - B052139	5B31	SN B01000 - B030654
PS502	SN B01000 - UP	5B40	SN B01000 - B032382
PS503	SN B01000 - UP	5B42	SN B01000 - B070000
PS503A	SN B01000 - B025429	5B44	SN B01000 - B030602
PS505	SN B01000 - B021999	5CT1N	SN B01000 - B021566
RG501	SN B01000 - B042869	5L4N	SN B01000 - B061694
		5S14N	SN B01000 - B060451

This Parts Replacement Kit contains parts to replace the Plug-In Latch with a new improved type.

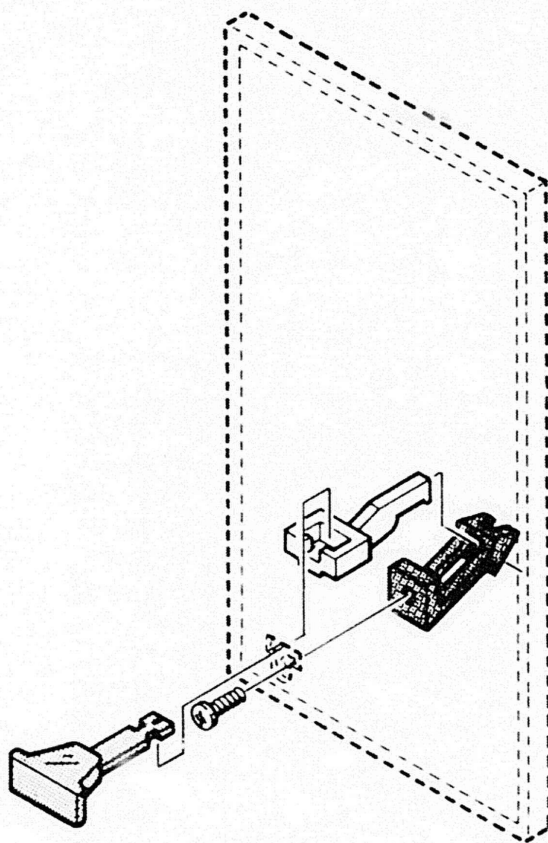
### NOTE

If the instrument serial number is greater than those listed above, or this kit has already been installed, disregard these instructions, and use any of the new parts as a direct replacement.



**KIT PARTS LIST:**

Ckt. Number	Quantity	Part Number	Description
	1 EA	105-0718-01	LATCH, RELEASE
	1 EA	105-0719-00	LATCH, RETAINING, PLUG-IN
	1 EA	366-1690-00	KNOB, PLUG-IN LATCH
	1 EA	-----	LABEL, 050-1077-XX



PLUG-IN LATCH ASSEMBLY DETAIL

**INSTRUCTIONS:**

**WARNING**

To avoid electric shock hazard, disconnect the instrument from all other electrical equipment and the power source before proceeding.

- ( ) 1. Using a pair of diagonal cutters, cut the latch knob off of the plug-in retainer.
- ( ) 2. Refer to the Maintenance section of your Instruction Manual and perform steps as necessary to remove the front panel.
- ( ) 3. Remove the plug-in retainer latch mounting screw, and the old plug-in retainer latch.
- ( ) 4. Install the new plug-in retainer latch using the screw removed in step 3.
- ( ) 5. Reinstall the front panel by performing the steps shown in the Maintenance section of your Instruction Manual.
- ( ) 6. Refer to the drawing (on page 2) and install the latch release and the plug-in latch knob.
- ( ) 7. For future reference, update the Mechanical Parts List in your Instruction Manual using the parts list on page 2 of these instructions.
- ( ) 8. Remove the protective backing from the 050-1077-XX label, and affix the label to a clean area of the top frame section near the serial number tag.

CM: cm





# product modification

30470

Type DM502

## PLUG-IN SUPPORT IMPROVED

Effective Prod SN B027780\*

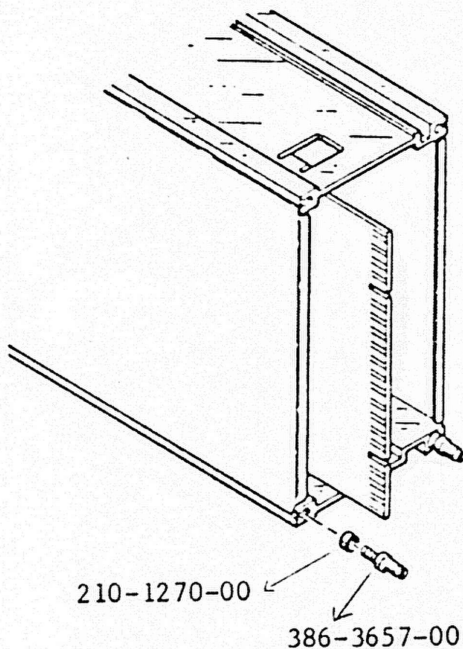
To improve the support of plug-ins at the interface connector in TM515 Portable Power Modules, two support pins and two washers were added to the bottom frame rail.

### PARTS REMOVED:

NONE

### PARTS ADDED:

210-1270-00**	Washer, flat .141 ID x .219 OD x .04	(2)
386-3657-00	Support, plug-in	(2)



Partial Rear View of Plug-In

\*Usable in TM515 w/serial numbers B020583 - Up or TM506 w/serial numbers above B031860.

\*\*Not used in double wide plug-ins.

©1977, Tektronix, Inc.  
All Rights Reserved

9-16-77

Page 1 of 1  
104.03