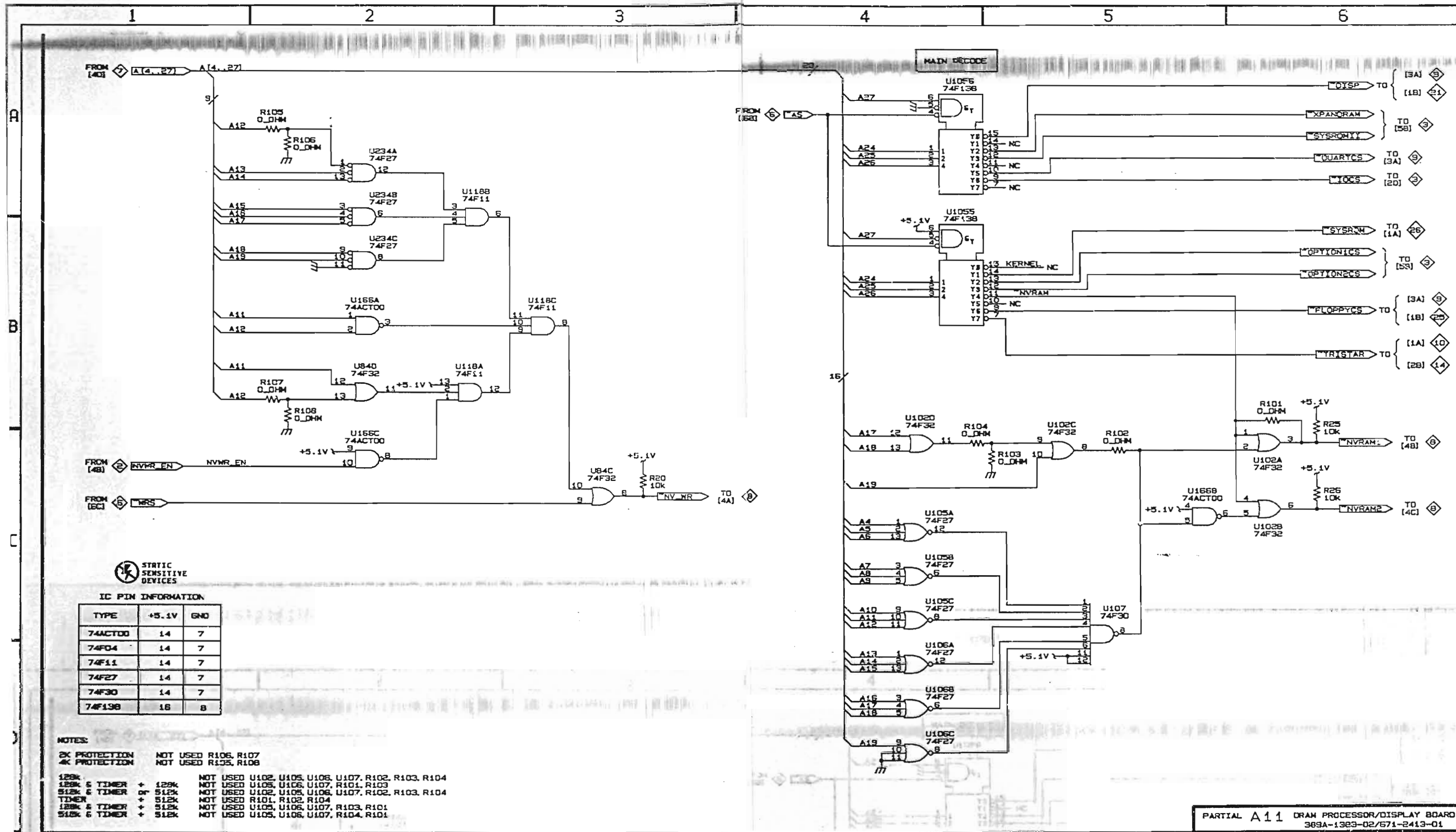


TDS 544A

PARTIAL A11 DRAM PROCESSOR/DISPLAY BOARD
388A-1383-02/671-2413-01

CONNECTORS B A11

TO/FROM
P3 A27
CONSOLE BOARD
A27 (6A)



STRYIC SENSITIVE DEVICES

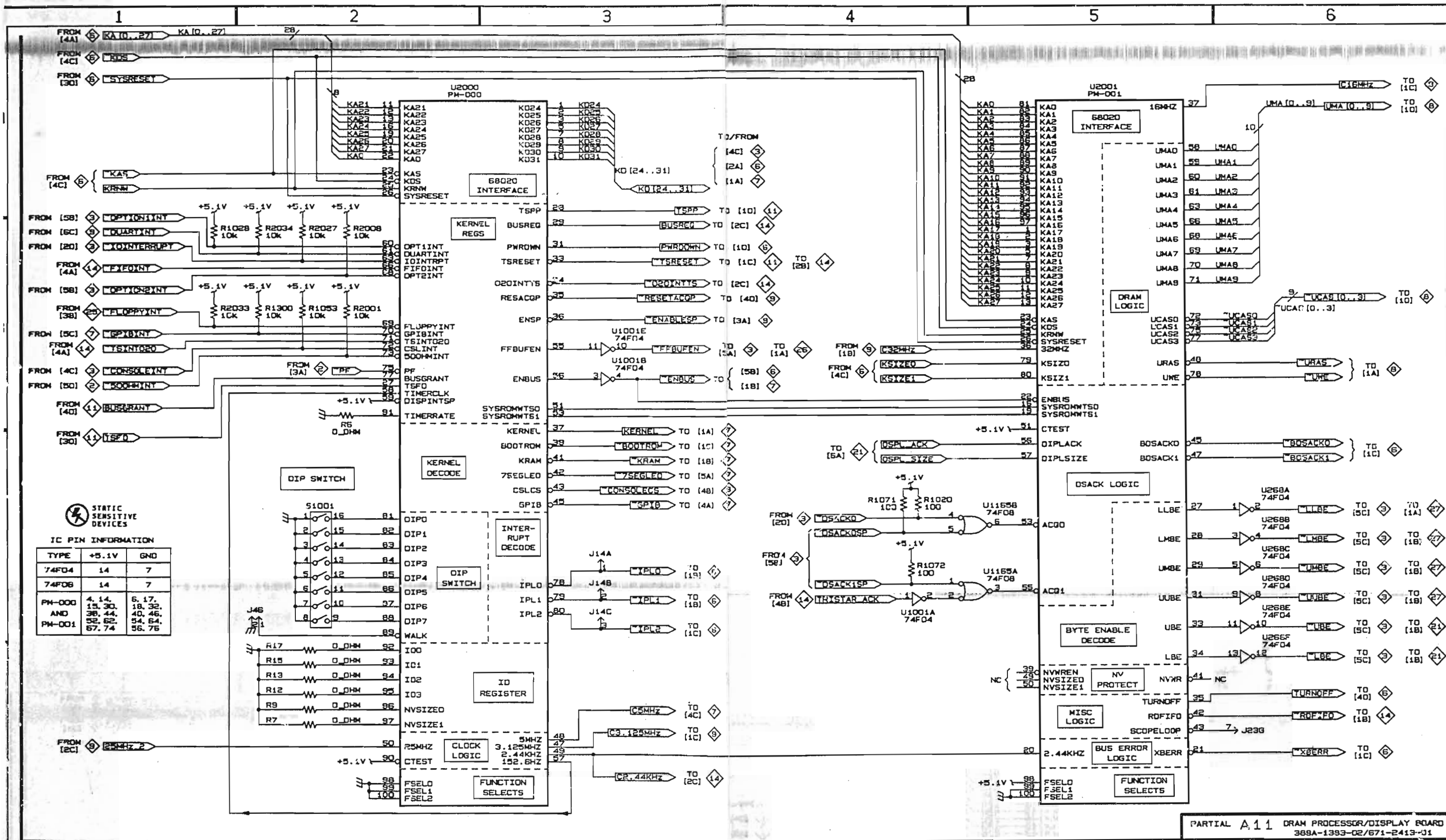
IC PIN INFORMATION

TYPE	+5.1V	GND
74ACT00	14	7
74F04	14	7
74F11	14	7
74F27	14	7
74F30	14	7
74F138	16	8

NOTES:

- 2K PROTECTION NOT USED R106, R107
- 4K PROTECTION NOT USED R105, R108
- 128k NOT USED U102, U105, U106, U107, R102, R103, R104
- 128k & TIMER + 128k NOT USED U105, U106, U107, R101, R103
- 512k & TIMER + 512k NOT USED U102, U105, U106, U107, R102, R103, R104
- TIMER + 512k NOT USED R101, R102, R104
- 128k & TIMER + 512k NOT USED U103, U106, U107, R103, R101
- 512k & TIMER + 512k NOT USED U105, U106, U107, R104, R101

PARTIAL A11 DRAM PROCESSOR/DISPLAY BOARD
389A-1383-02/671-2413-01



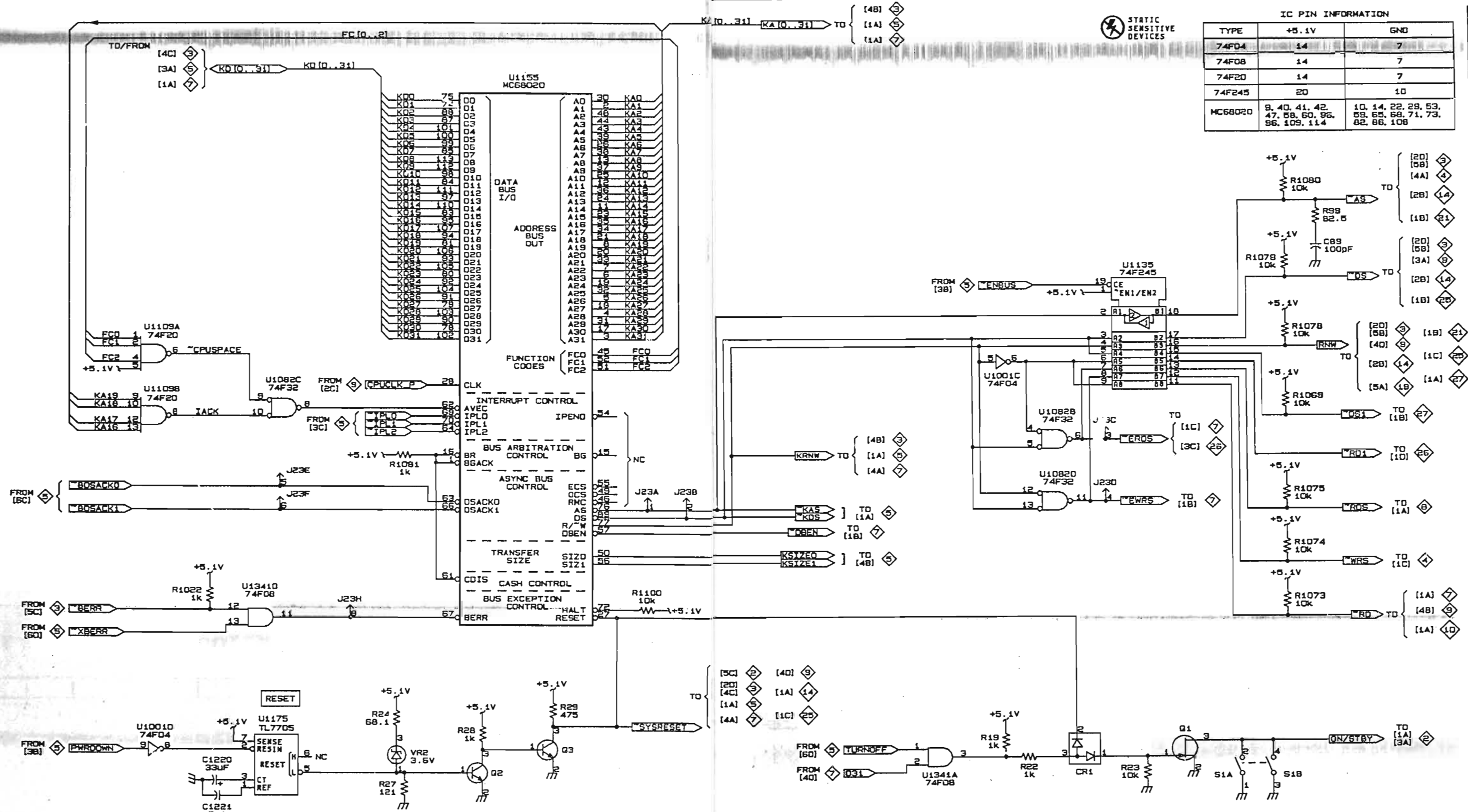
STATIC SENSITIVE DEVICES

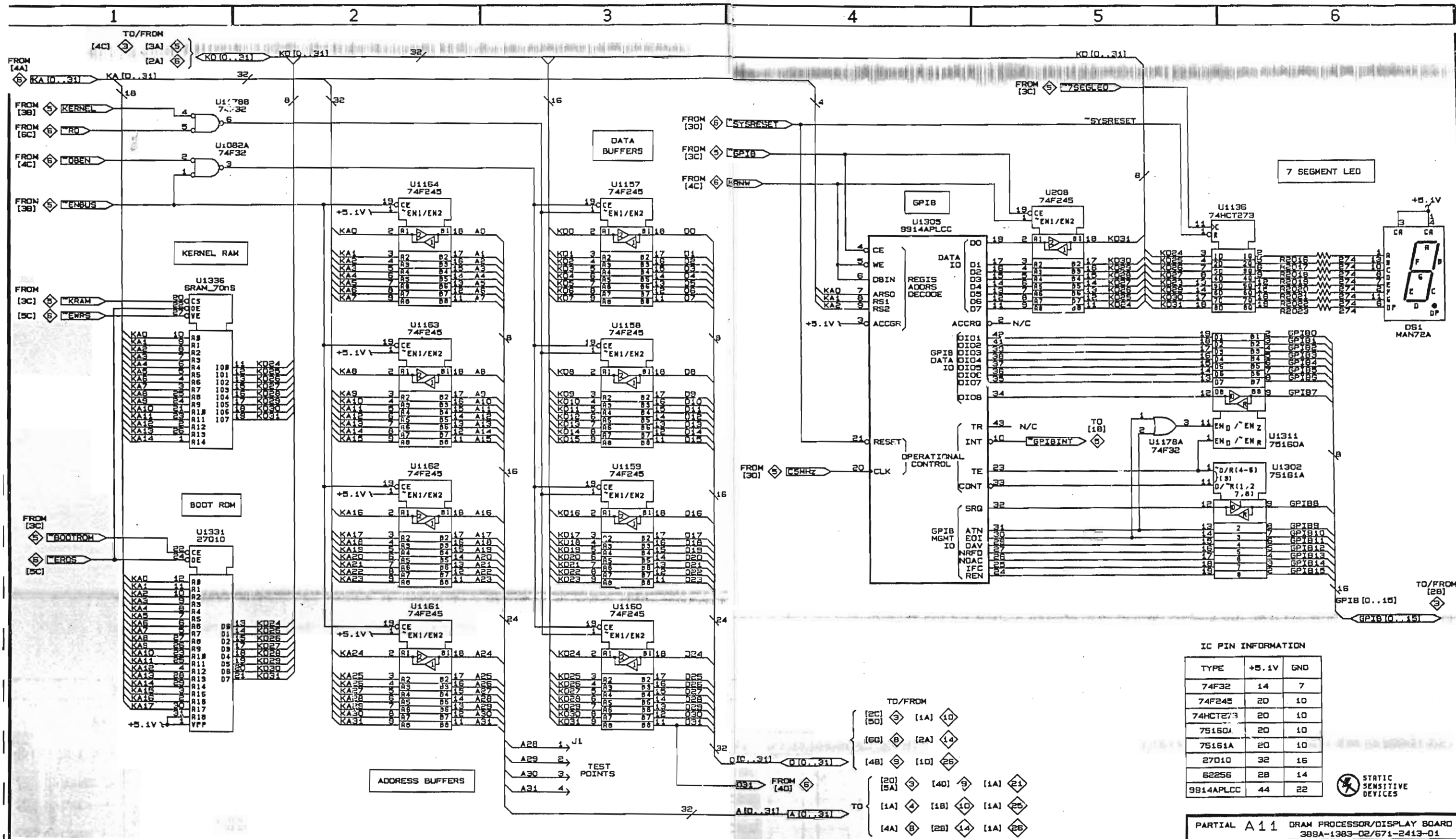
IC PIN INFORMATION

TYPE	+5.1V	GND
74F04	14	7
74F08	14	7
PM-000 AND PM-001	4, 14, 15, 30, 38, 44, 52, 62, 67, 74	6, 17, 18, 32, 40, 46, 54, 64, 56, 76

PARTIAL A.1.1 DRAM PROCESSOR/DISPLAY BOARD
389A-1393-02/671-2413-J1

1 2 3 4 5 6



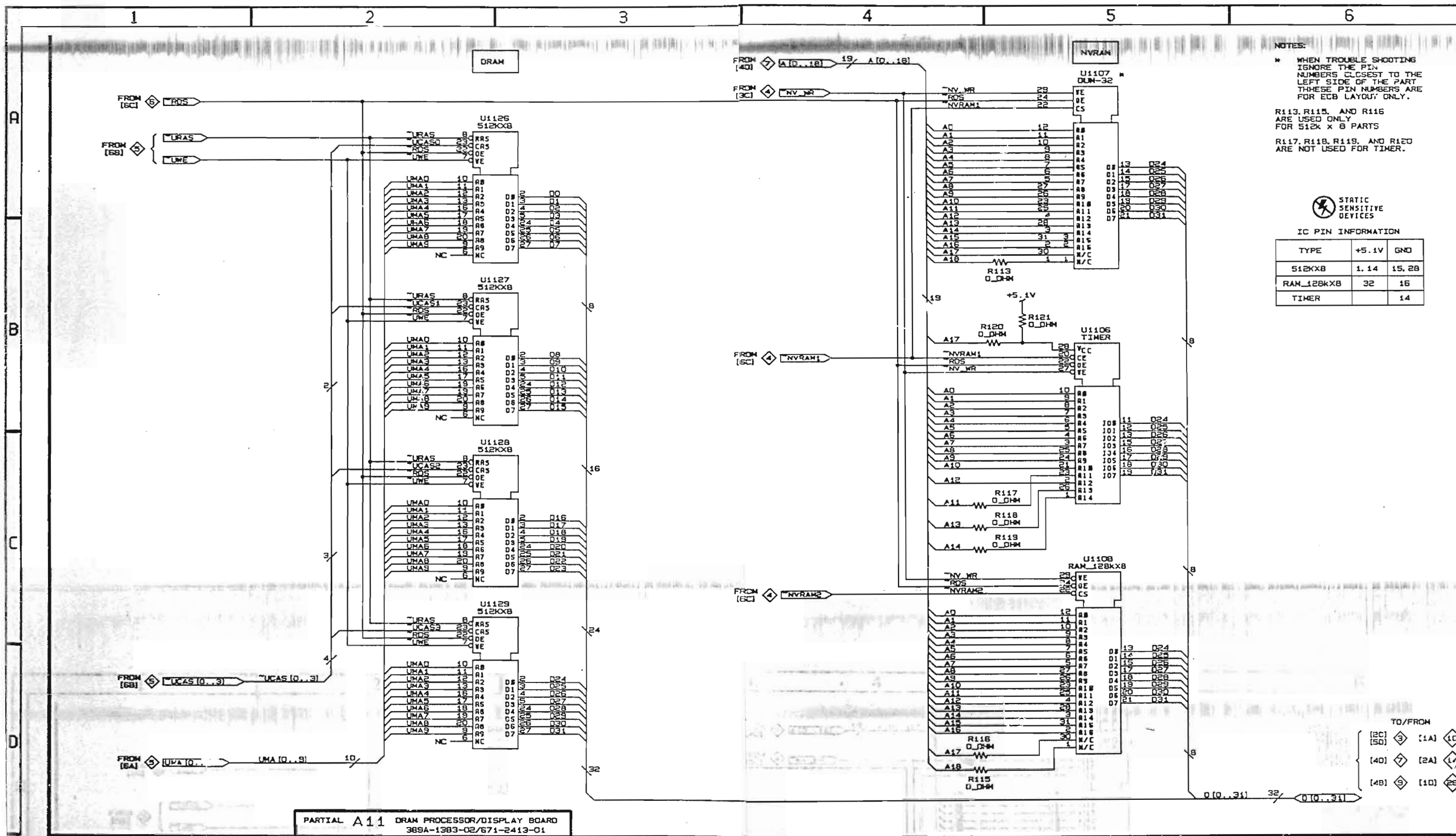


IC PIN INFORMATION

TYPE	+5.1V	GND
74F32	14	7
74F245	20	10
74HCT273	20	10
75160A	20	10
75161A	20	10
27010	32	16
62256	28	14
9914APLCC	44	22

STATIC SENSITIVE DEVICES

PARTIAL A11 DRAM PROCESSOR/DISPLAY BOARD
388A-1383-02/671-2413-01



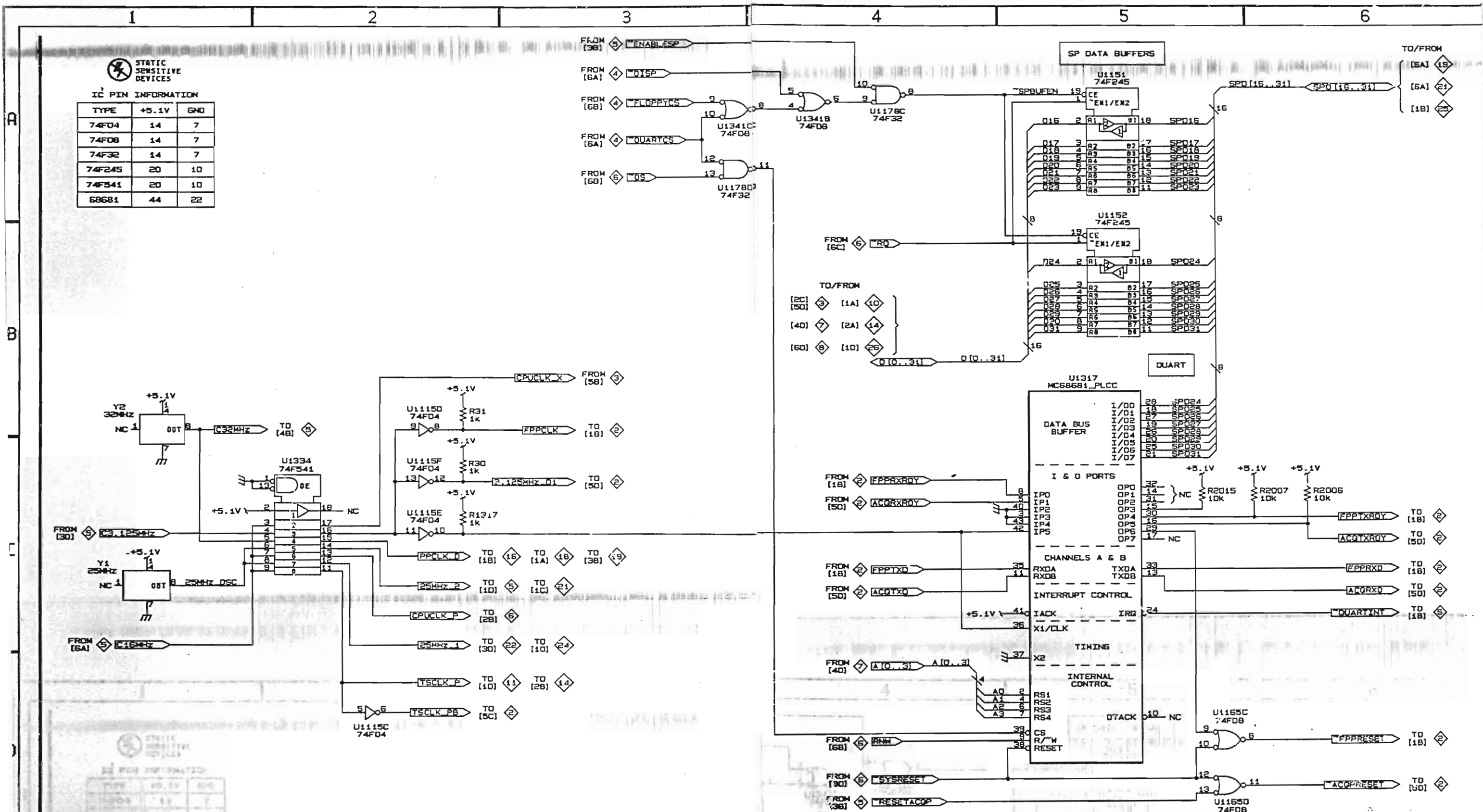
NOTES:
 * WHEN TROUBLE SHOOTING IGNORE THE PIN NUMBERS CLOSEST TO THE LEFT SIDE OF THE PART THESE PIN NUMBERS ARE FOR PCB LAYOUT ONLY.
 R113, R115, AND R116 ARE USED ONLY FOR 512K X 8 PARTS
 R117, R118, R119, AND R120 ARE NOT USED FOR TIMER.

STATIC SENSITIVE DEVICES

IC PIN INFORMATION

TYPE	+5.1V	GND
512KX8	1, 14	15, 28
RAM_128KX8	32	16
TIMER		14

PARTIAL A11 DRAM PROCESSOR/DISPLAY BOARD
 389A-1383-02/671-2413-01



STATIC SENSITIVE DEVICES

IC PIN INFORMATION

TYPE	+5.1V	GND
74F04	14	7
74F08	14	7
74F32	14	7
74F245	20	10
74F541	20	10
68681	44	22

IC PIN INFORMATION

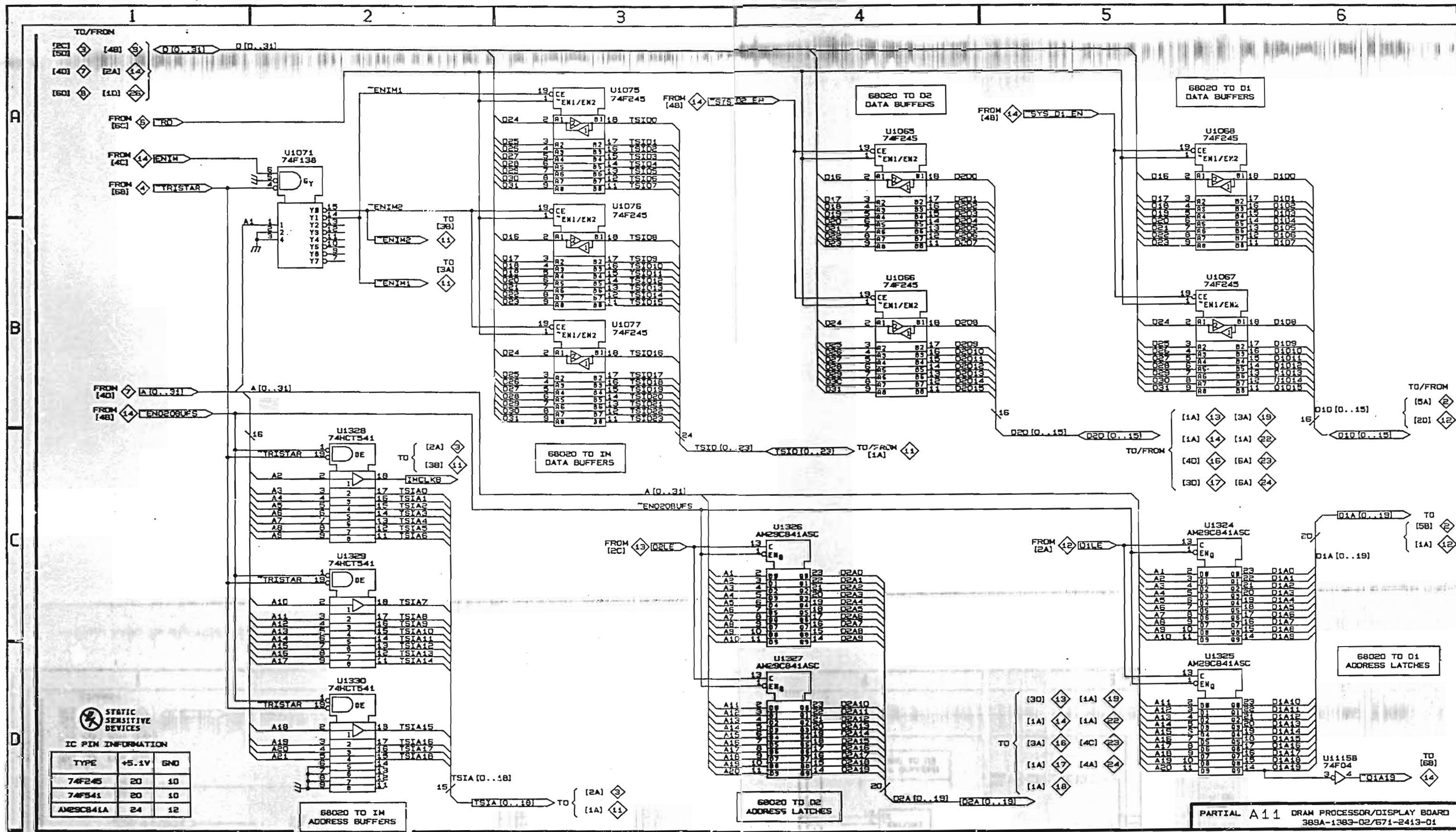
TYPE	+5.1V	GND
74F04	14	7
74F08	14	7
74F32	14	7
74F245	20	10
74F541	20	10
68681	44	22

TDS 544A

CLOCKS, FPP, ACQP, AND DISPLAY INTERFACE

A11 9

PARTIAL A 1 1 DRAM PROCESSOR/DISPLAY BOARD
389A-1393-02/671-2413-01

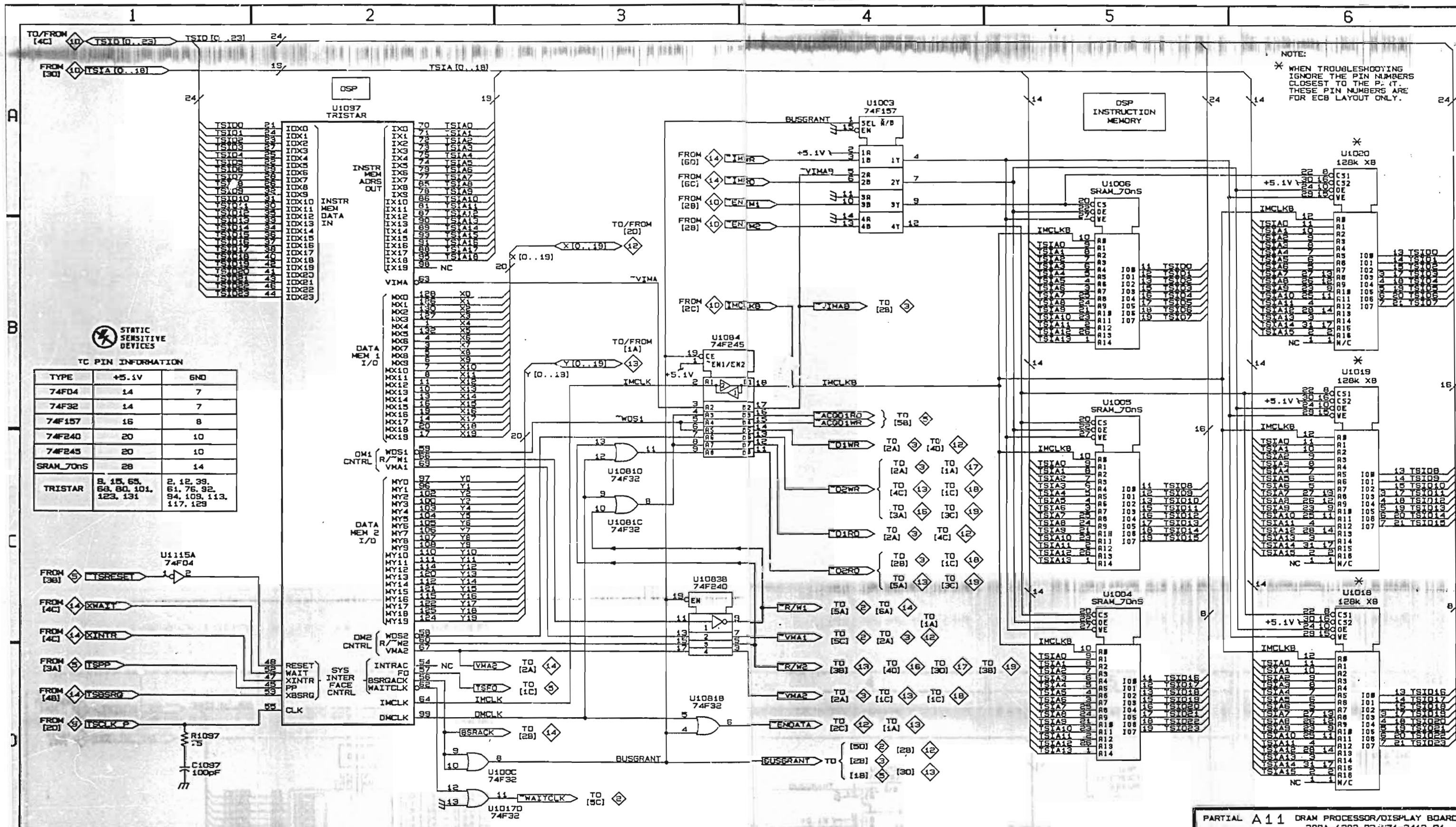


STATIC SENSITIVE DEVICES

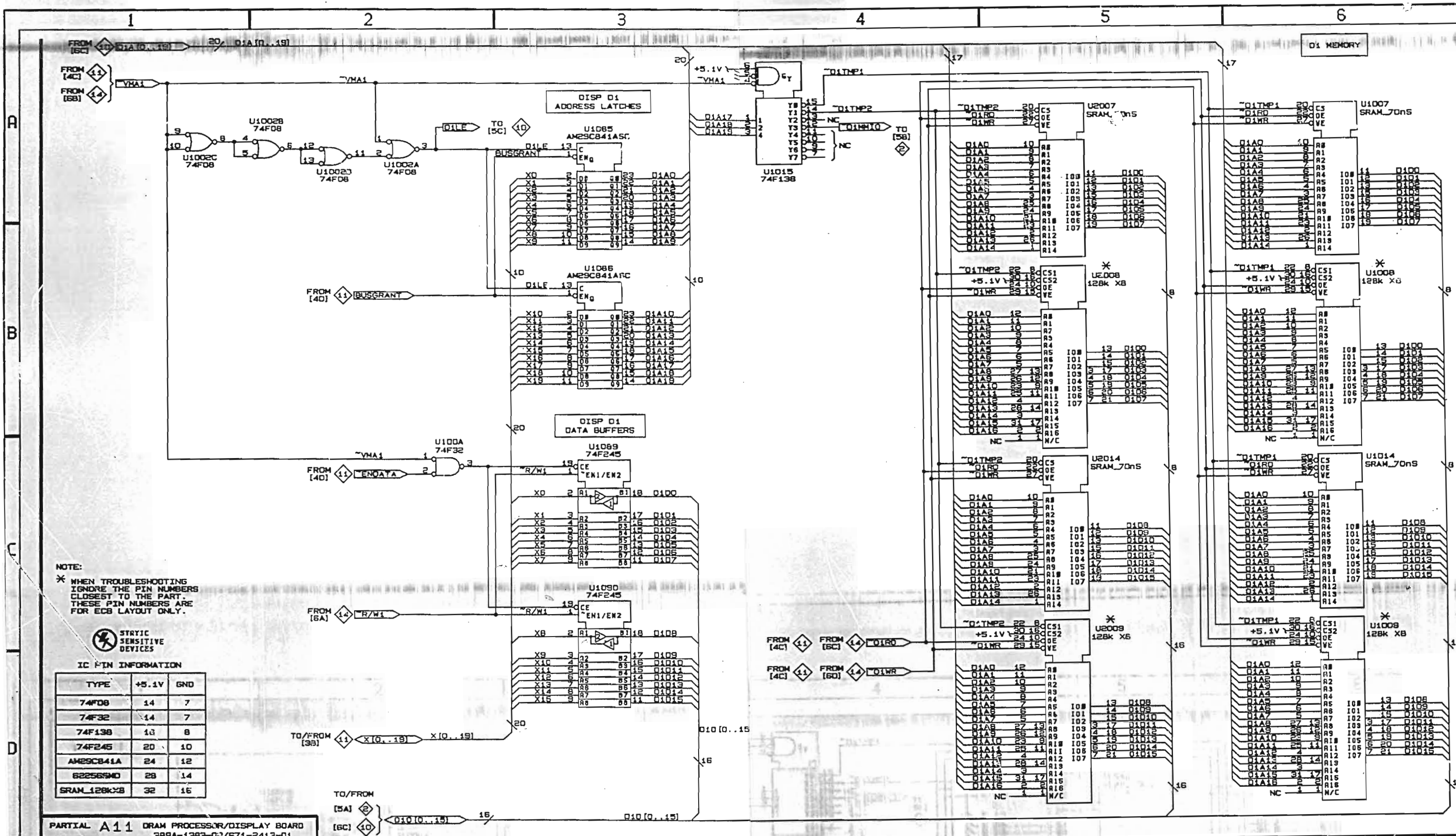
IC PIN INFORMATION

TYPE	+5.1V	GND
74F245	20	10
74F541	20	10
AM29CB41A	24	12

PARTIAL A11 DRAM PROCESSOR/DISPLAY BOARD
389A-1383-02/671-2413-01



PARTIAL A11 DRAM PROCESSOR/DISPLAY BOARD 389A-1983-02/571-2413-01



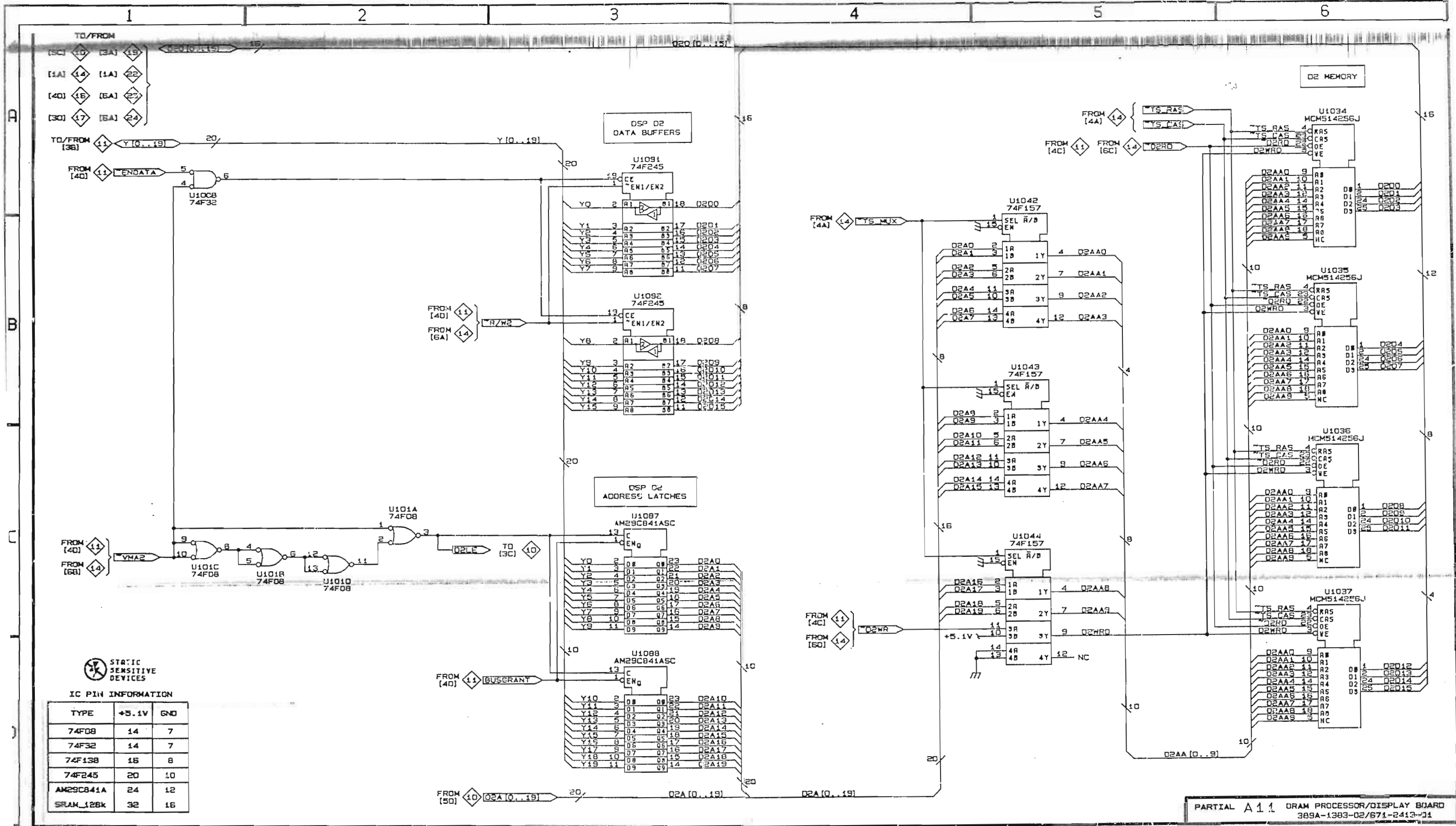
NOTE:
 * WHEN TROUBLESHOOTING IGNORE THE PIN NUMBERS CLOSEST TO THE PART. THESE PIN NUMBERS ARE FOR PCB LAYOUT ONLY.

STRYIC SENSITIVE DEVICES

IC PIN INFORMATION

TYPE	+5.1V	GND
74F08	14	7
74F32	14	7
74F138	13	8
74F245	20	10
AM25C841A	24	12
62256340	28	14
SRAM_128KXB	32	16

PARTIAL A11 DRAM PROCESSOR/DISPLAY BOARD
 388A-1383-01/671-2413-01

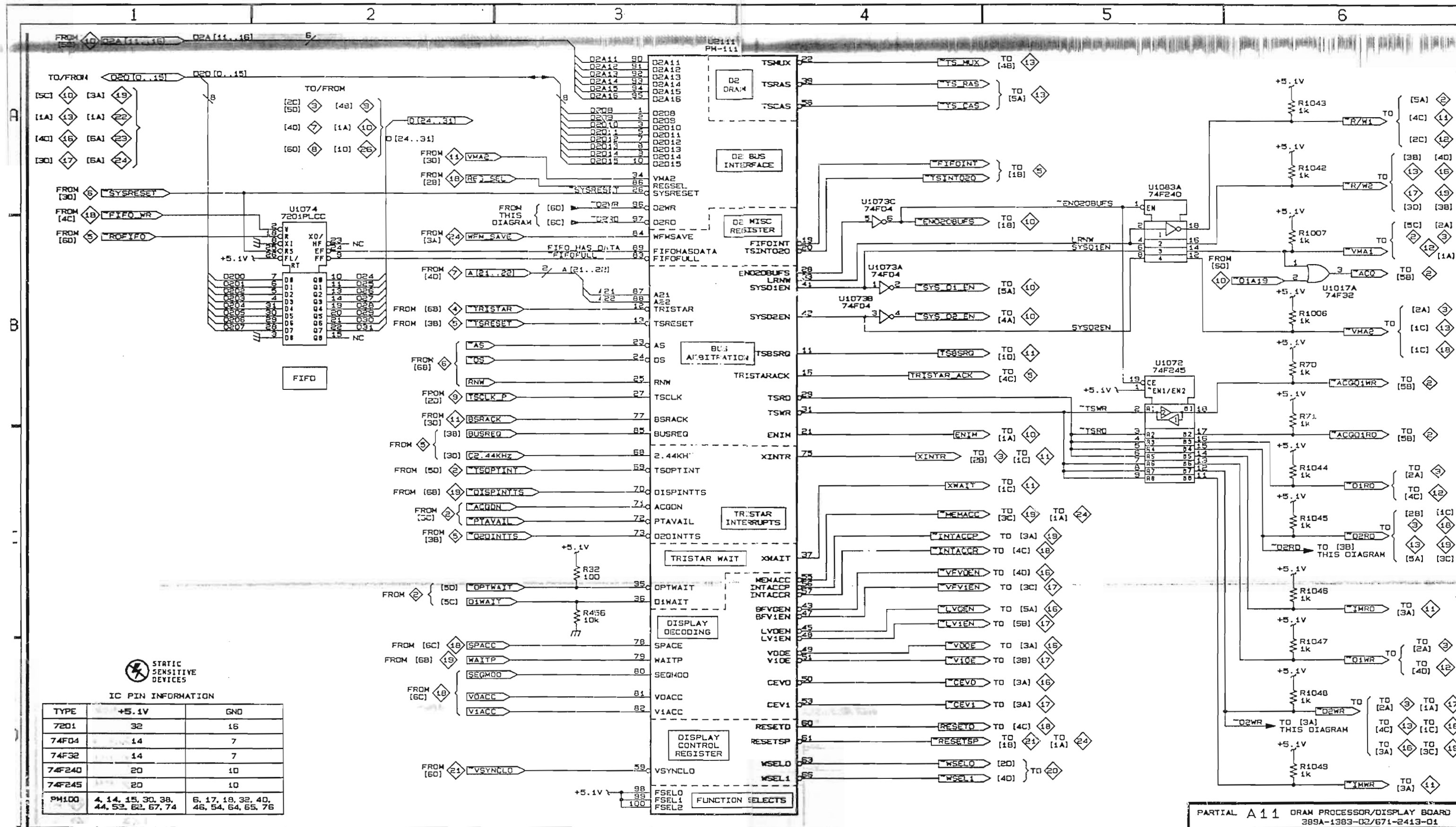


STATIC SENSITIVE DEVICES

IC PIN INFORMATION

TYPE	+5.1V	GND
74F08	14	7
74F32	14	7
74F138	16	8
74F245	20	10
AM29C841A	24	12
SRAM_128k	32	16

PARTIAL A 1.1 DRAM PROCESSOR/DISPLAY BOARD
389A-1383-02/671-2413-01

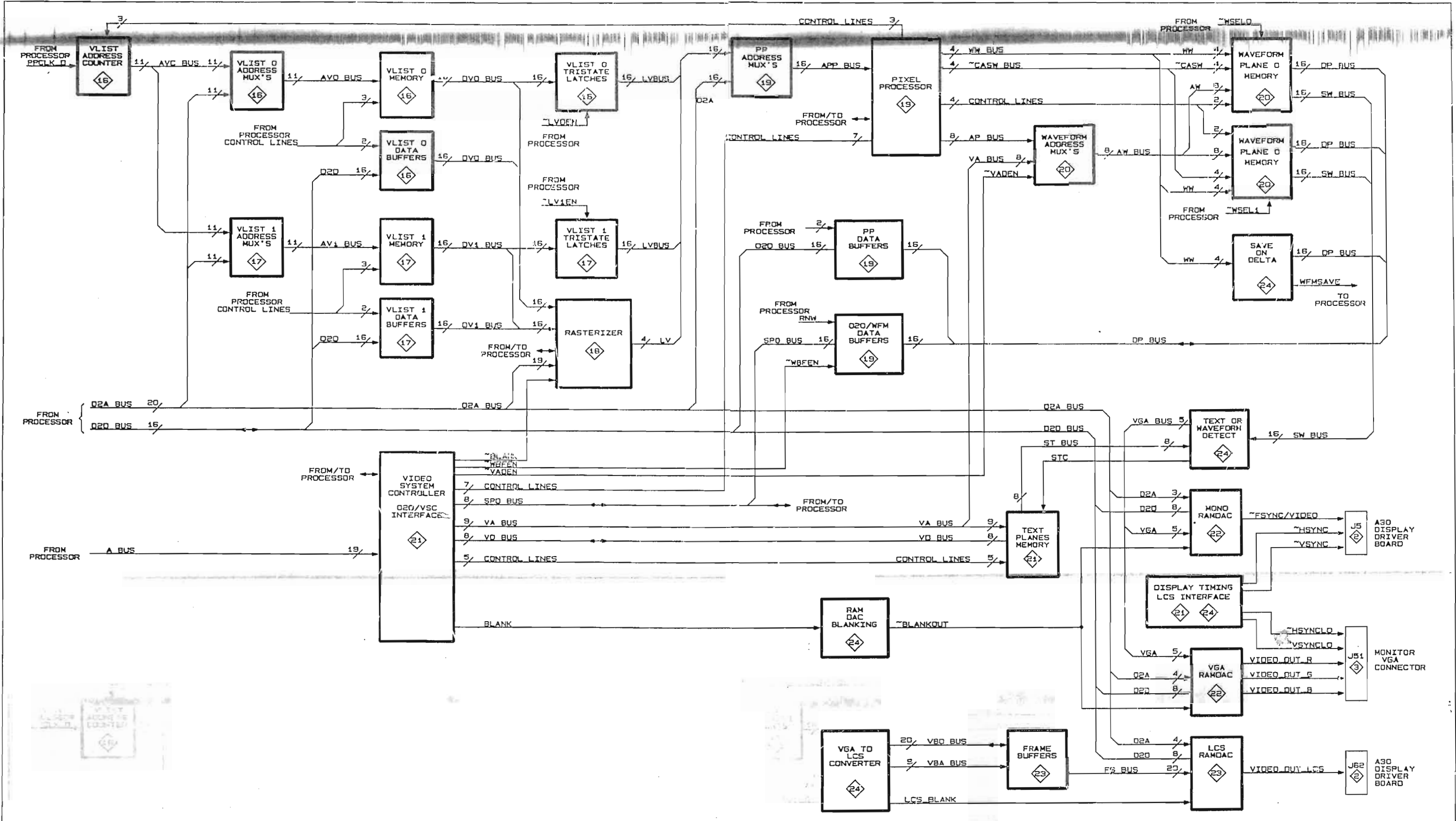


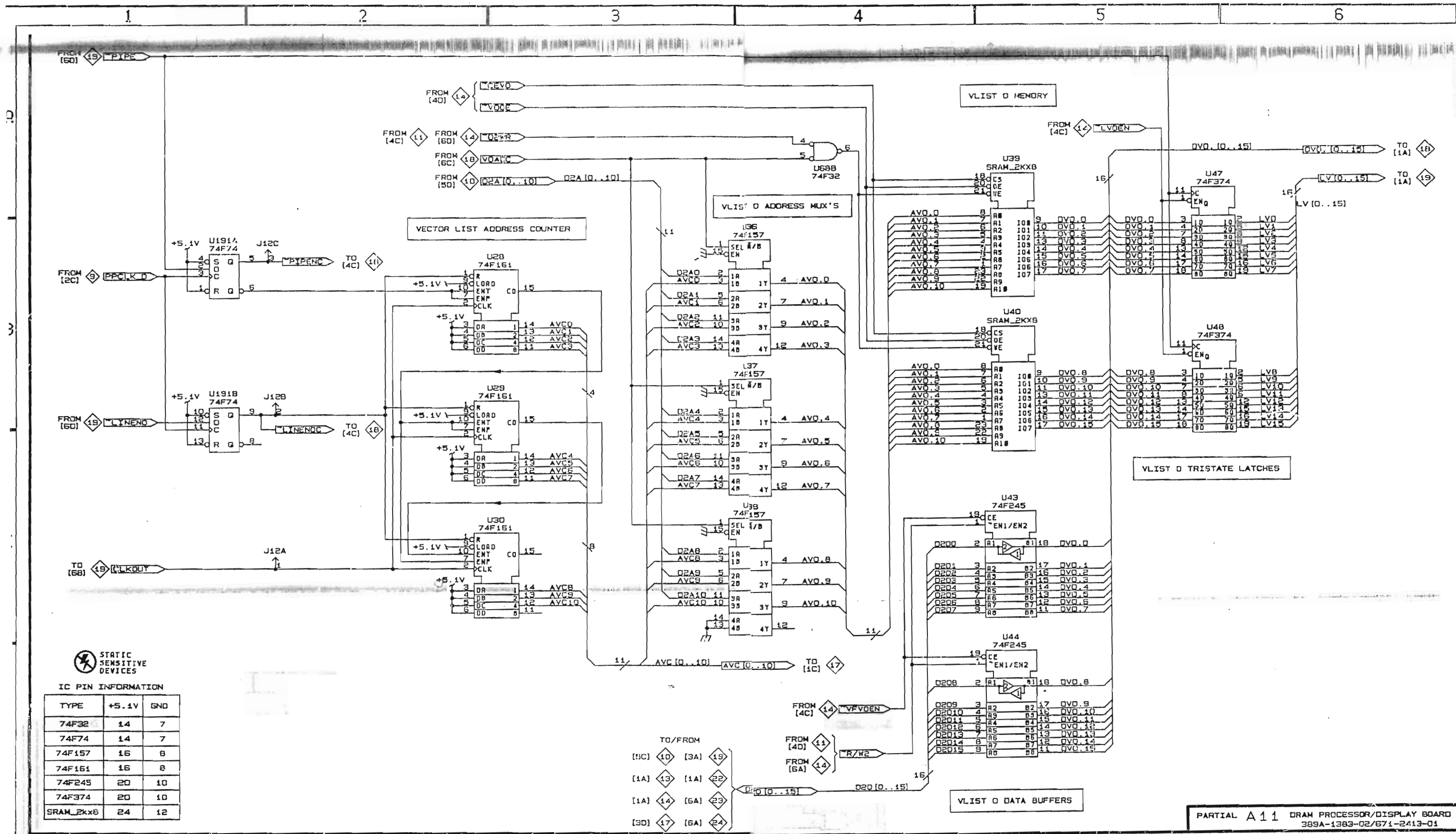
STATIC SENSITIVE DEVICES

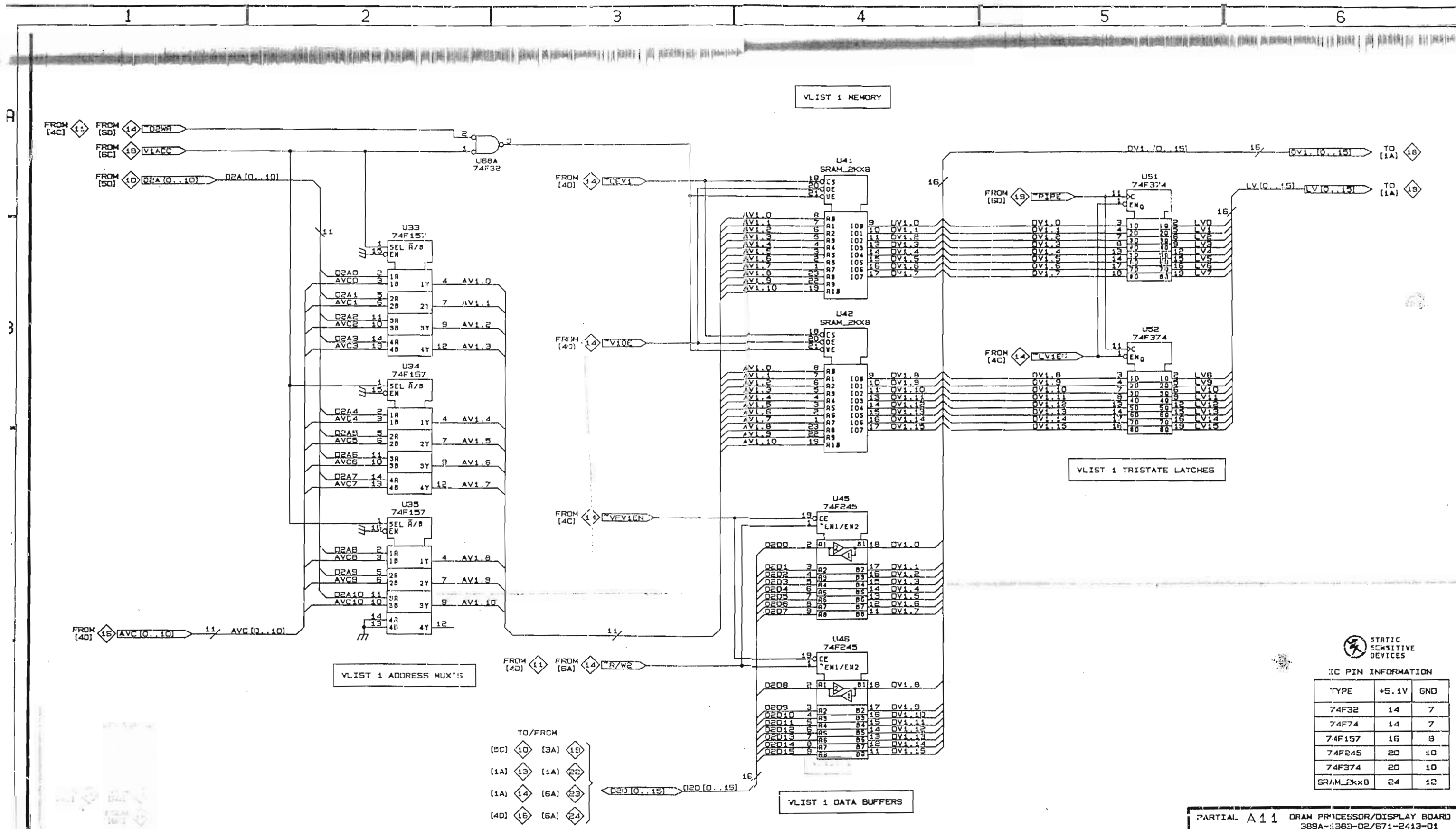
IC PIN INFORMATION

TYPE	+5.1V	GND
7201	32	16
74F04	14	7
74F32	14	7
74F240	20	10
74F245	20	10
PH100	4, 14, 15, 30, 38, 44, 52, 62, 67, 74	6, 17, 18, 32, 40, 46, 54, 64, 65, 76

PARTIAL A11 DRAM PROCESSOR/DISPLAY BOARD
389A-1383-02/671-2413-01





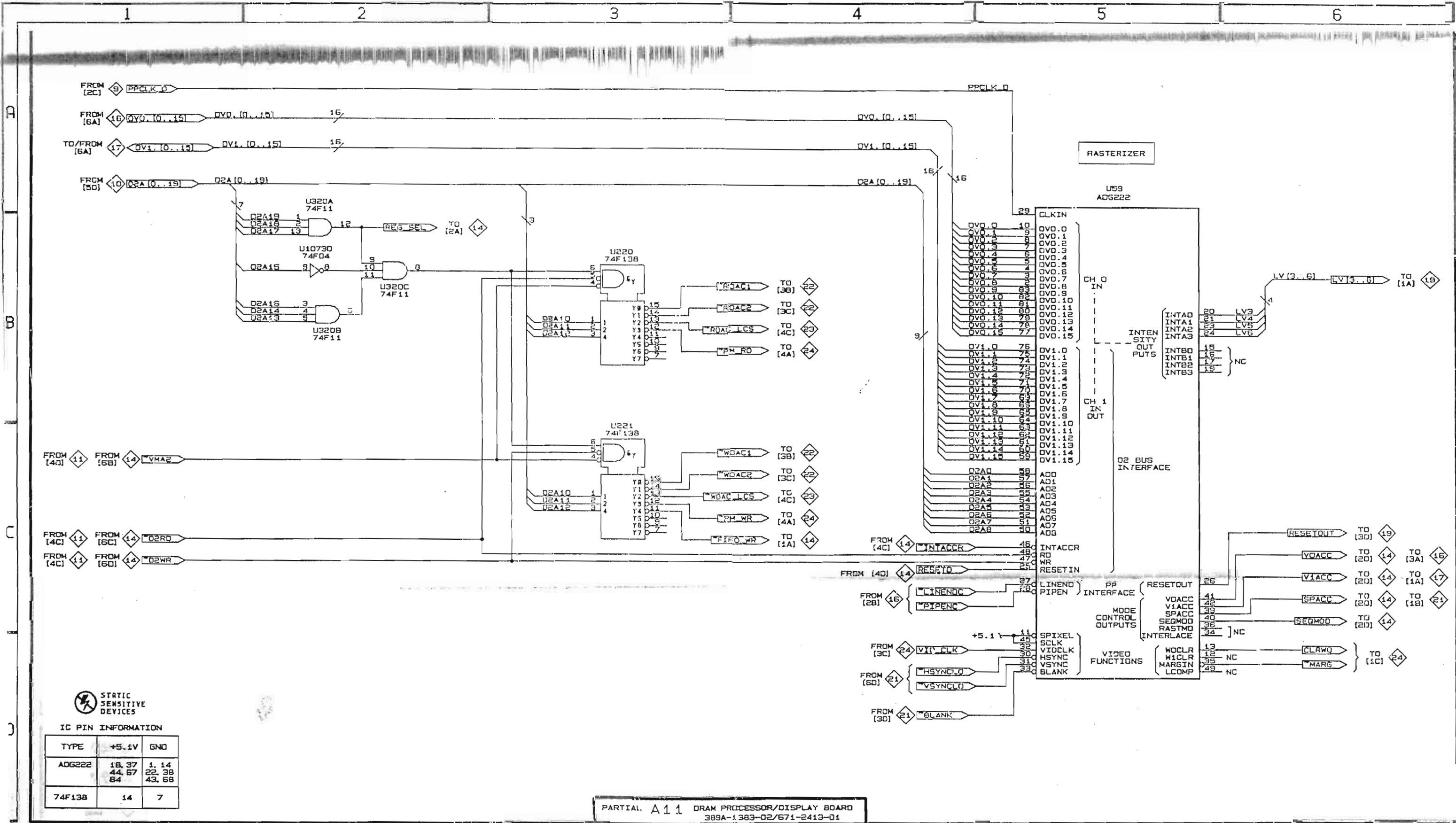


STATIC SENSITIVE DEVICES

IC PIN INFORMATION

TYPE	+5.1V	GND
74F32	14	7
74F74	14	7
74F157	16	8
74F245	20	10
74F374	20	10
SRAM_2Kx8	24	12

PARTIAL A11 DRAM PROCESSOR/DISPLAY BOARD
389A-383-02/671-2413-01

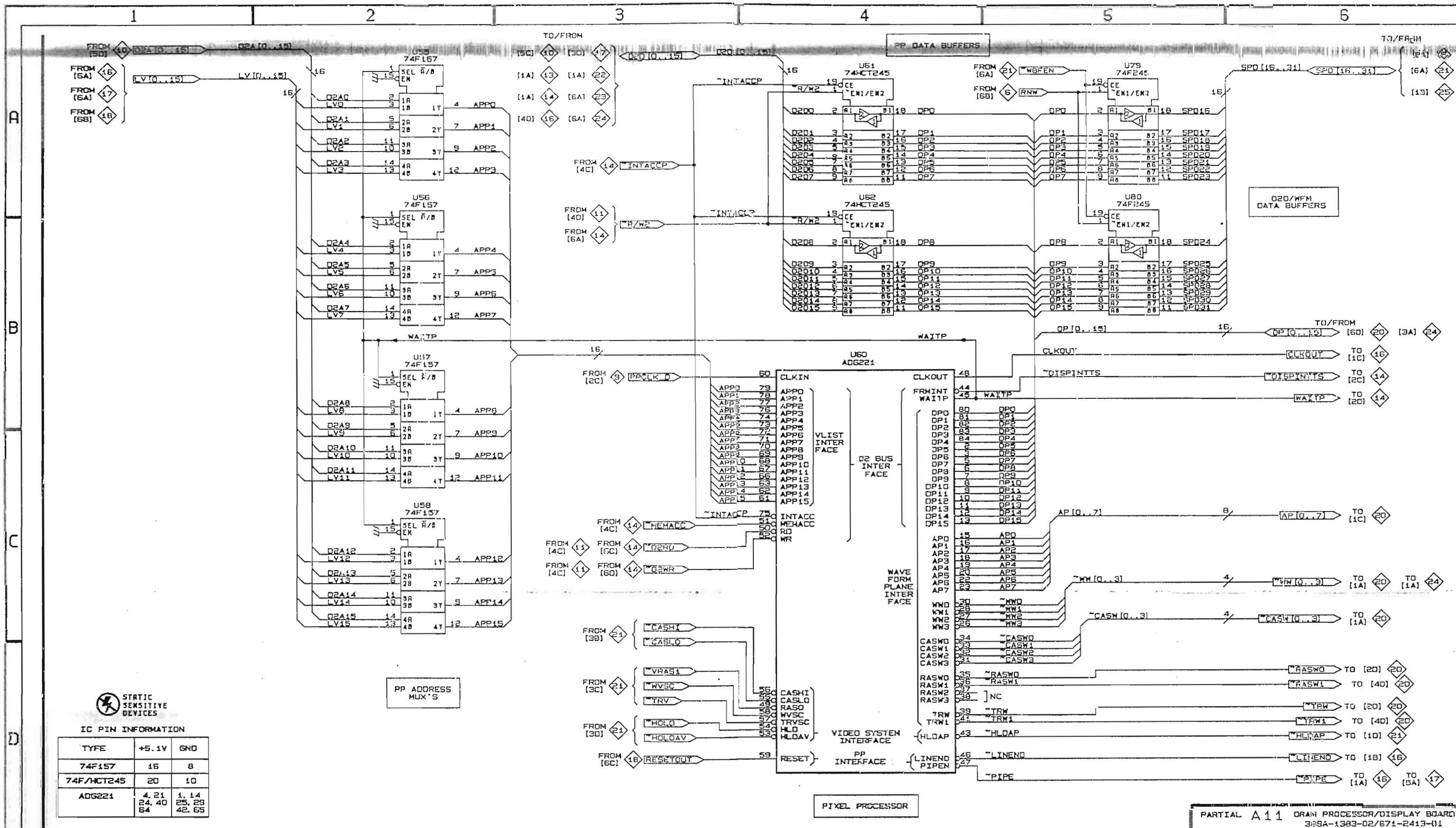


STATIC SENSITIVE DEVICES

IC PIN INFORMATION

TYPE	+5.1V	GND
ADG222	18, 37 44, 67 84	1, 14 22, 38 43, 68
74F138	14	7

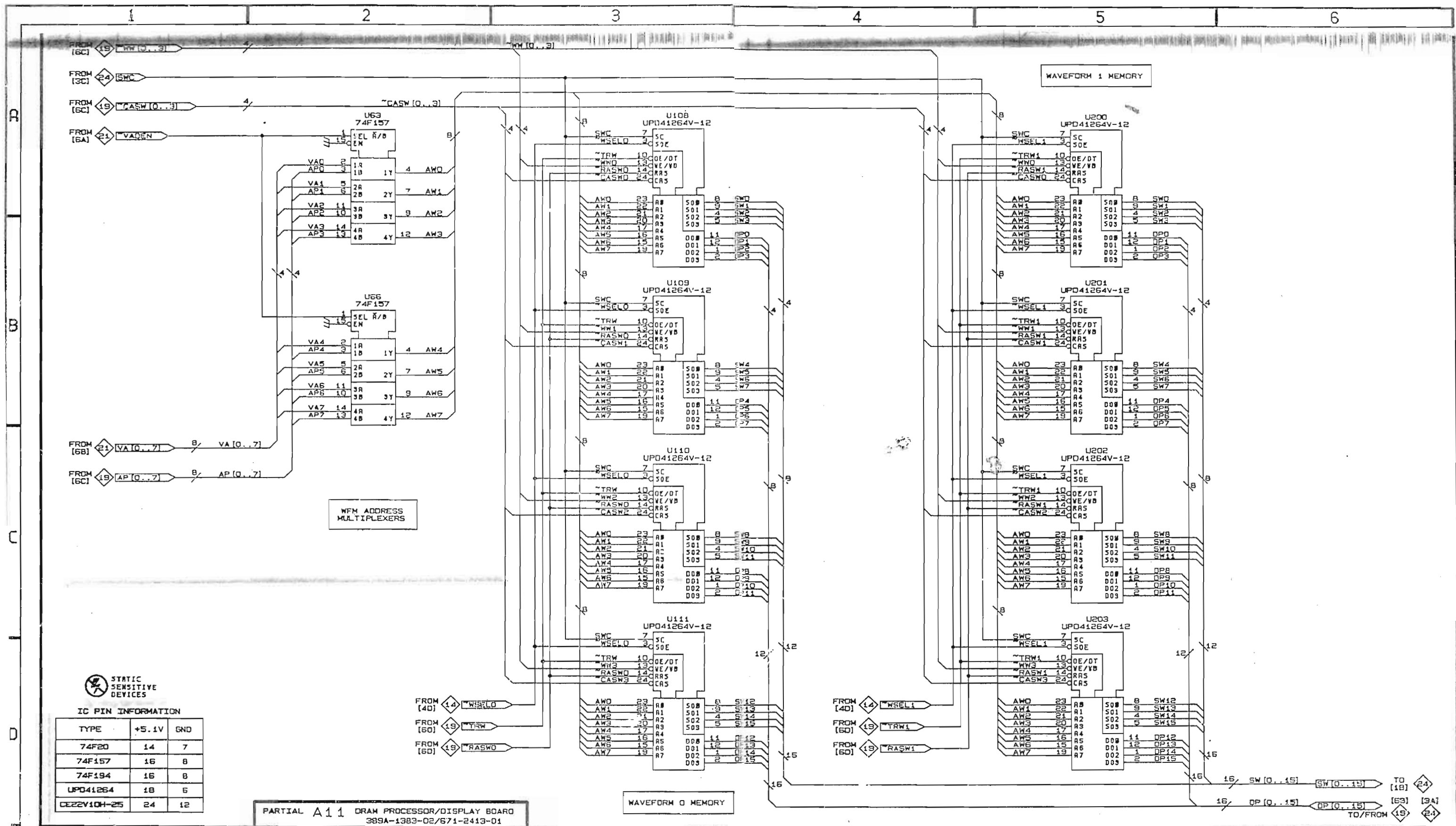
PARTIAL A11 DRAM PROCESSOR/DISPLAY BOARD
389A-1.383-02/671-2413-01



IC PIN INFORMATION

TYPE	+5.1V	GND
74F157	16	8
74F/HCT245	20	10
ADG221	4, 21, 24, 40, 64	1, 14, 25, 29, 42, 65

PARTIAL A 11 DRAM PROCESSOR/DISPLAY BOARD
389A-1383-02/671-2413-01



STATIC SENSITIVE DEVICES

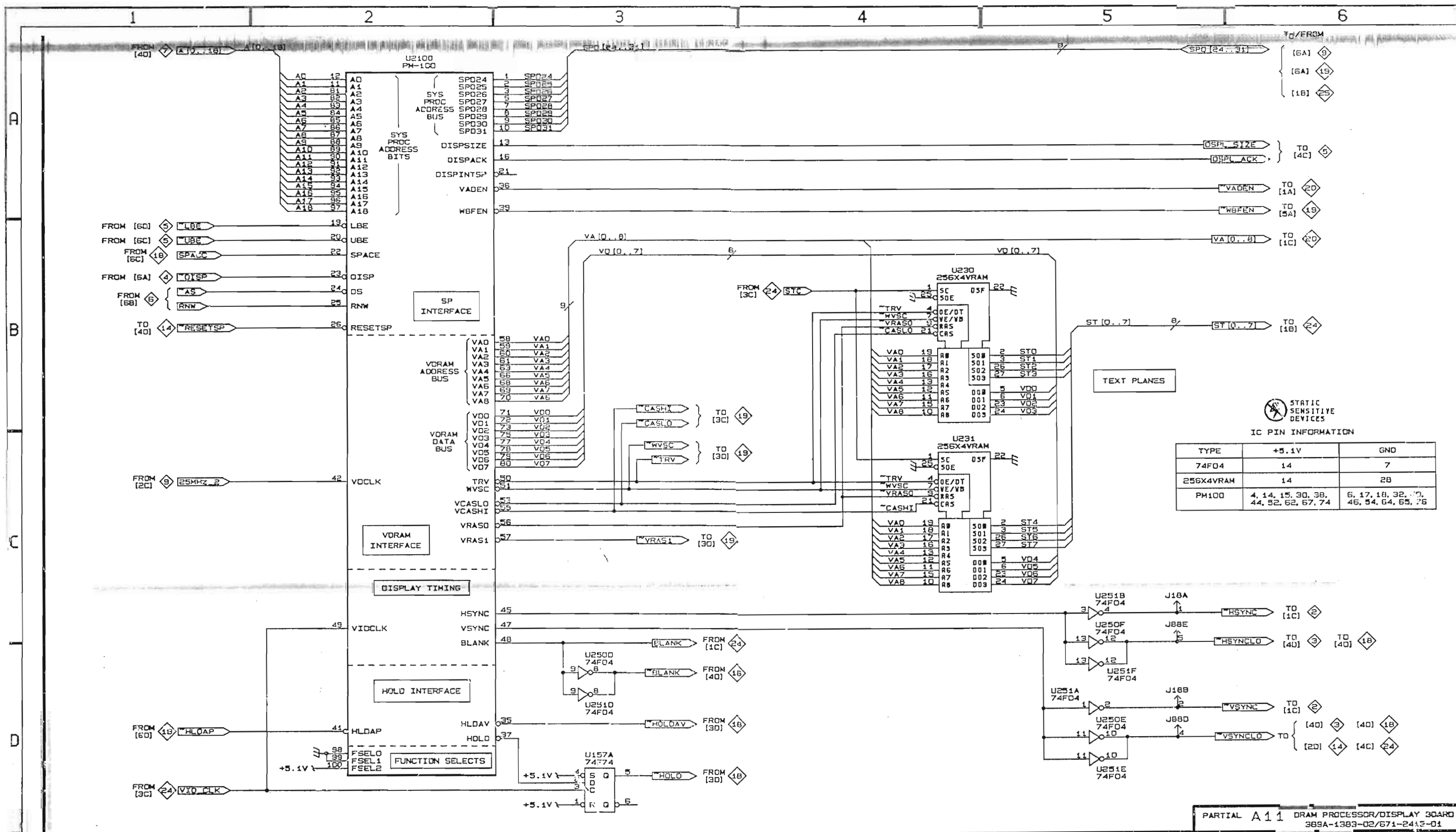
IC PIN INFORMATION

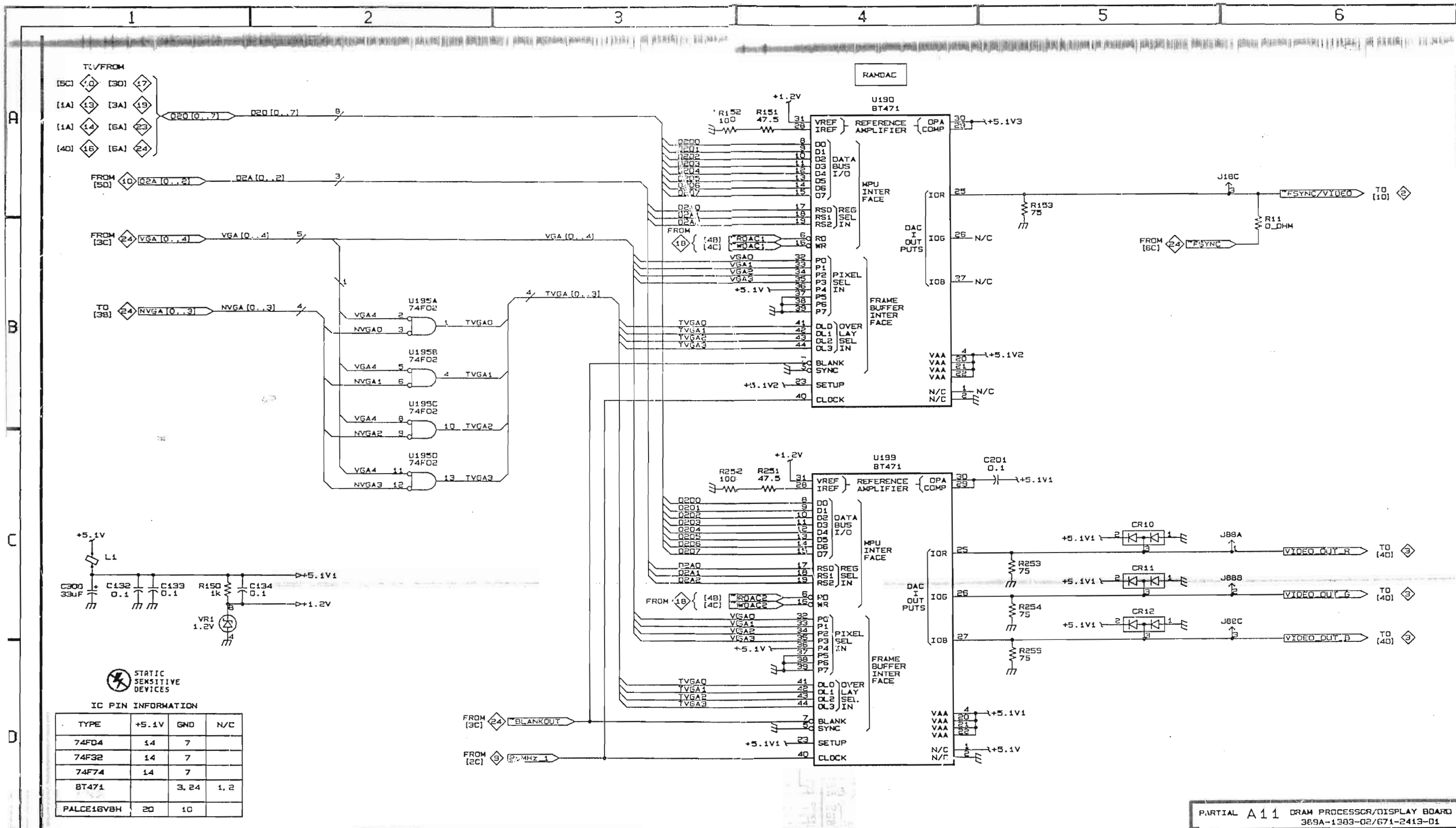
TYPE	+5.1V	GND
74F20	14	7
74F157	16	8
74F194	16	8
UPD41264	18	5
CE22Y10H-25	24	12

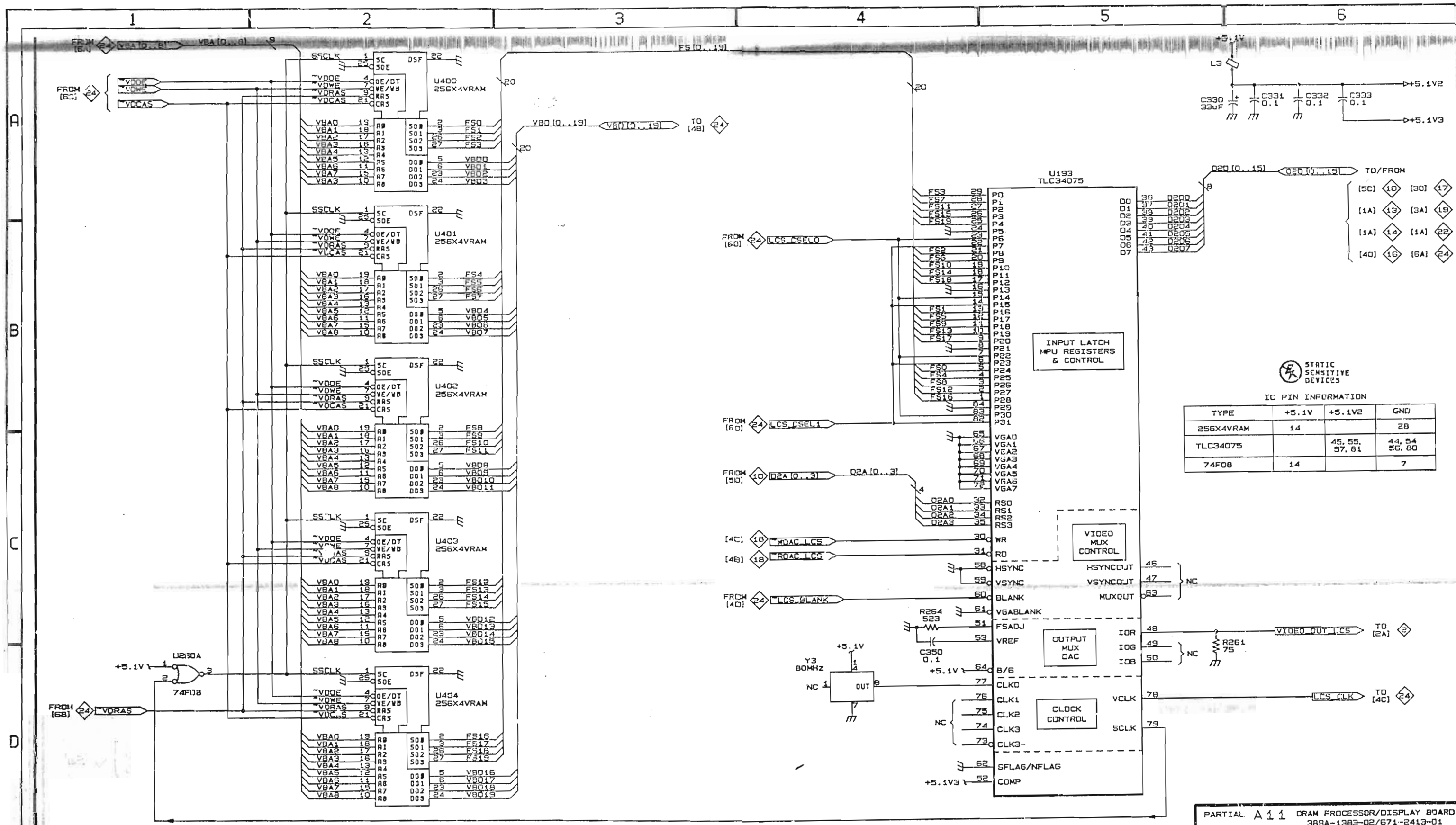
PARTIAL A11 DRAM PROCESSOR/DISPLAY BOARD
389A-1383-02/671-2413-01

WAVEFORM 0 MEMORY

WAVEFORM 1 MEMORY





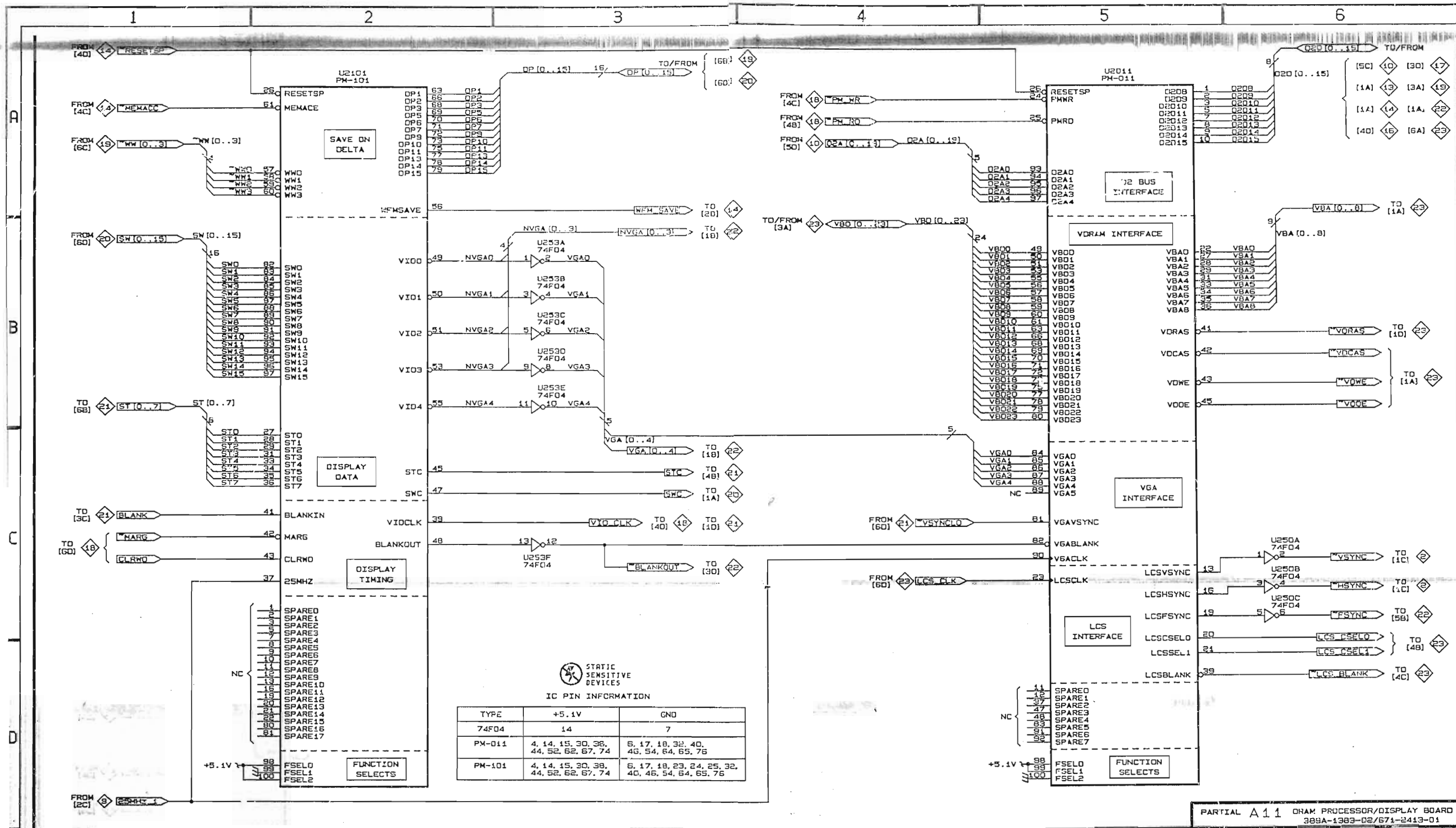


STATIC SENSITIVE DEVICES

IC PIN INFORMATION

TYPE	+5.1V	+5.1V2	GND
256X4VDRAM	14		28
TLC34075		45, 55, 57, 81	44, 54, 56, 80
74F08	14		7

PARTIAL A11 DRAM PROCESSOR/DISPLAY BOARD
389A-1383-02/671-2413-01

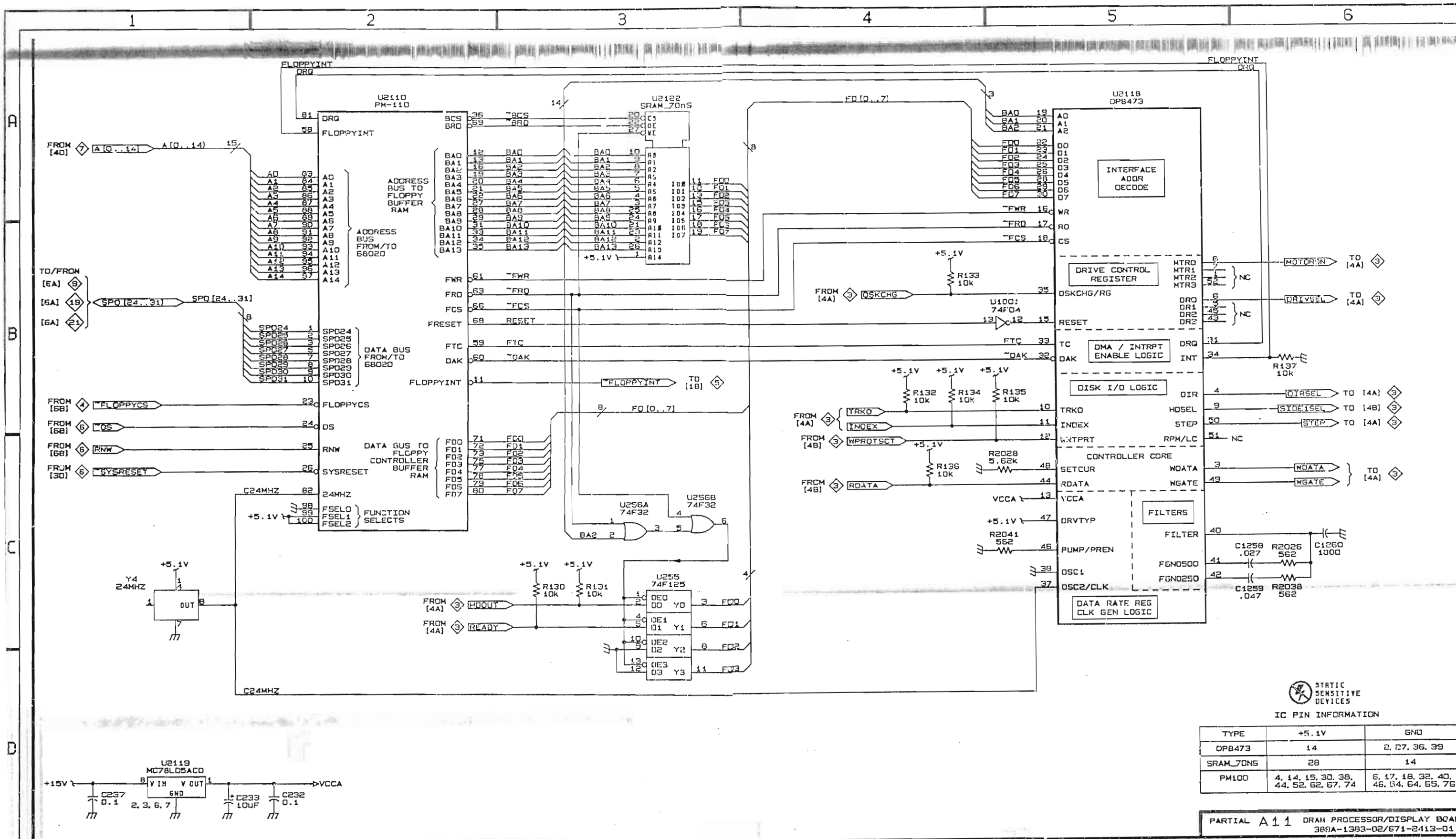


STATIC SENSITIVE DEVICES

IC PIN INFORMATION

TYPE	+5.1V	GND
74F04	14	7
PM-011	4, 14, 15, 30, 38, 44, 52, 62, 67, 74	6, 17, 18, 32, 40, 46, 54, 64, 65, 76
PM-101	4, 14, 15, 30, 38, 44, 52, 62, 67, 74	6, 17, 18, 23, 24, 25, 32, 40, 46, 54, 64, 65, 76

PARTIAL A11 DRAM PROCESSOR/DISPLAY BOARD
389A-1383-02/671-2413-01

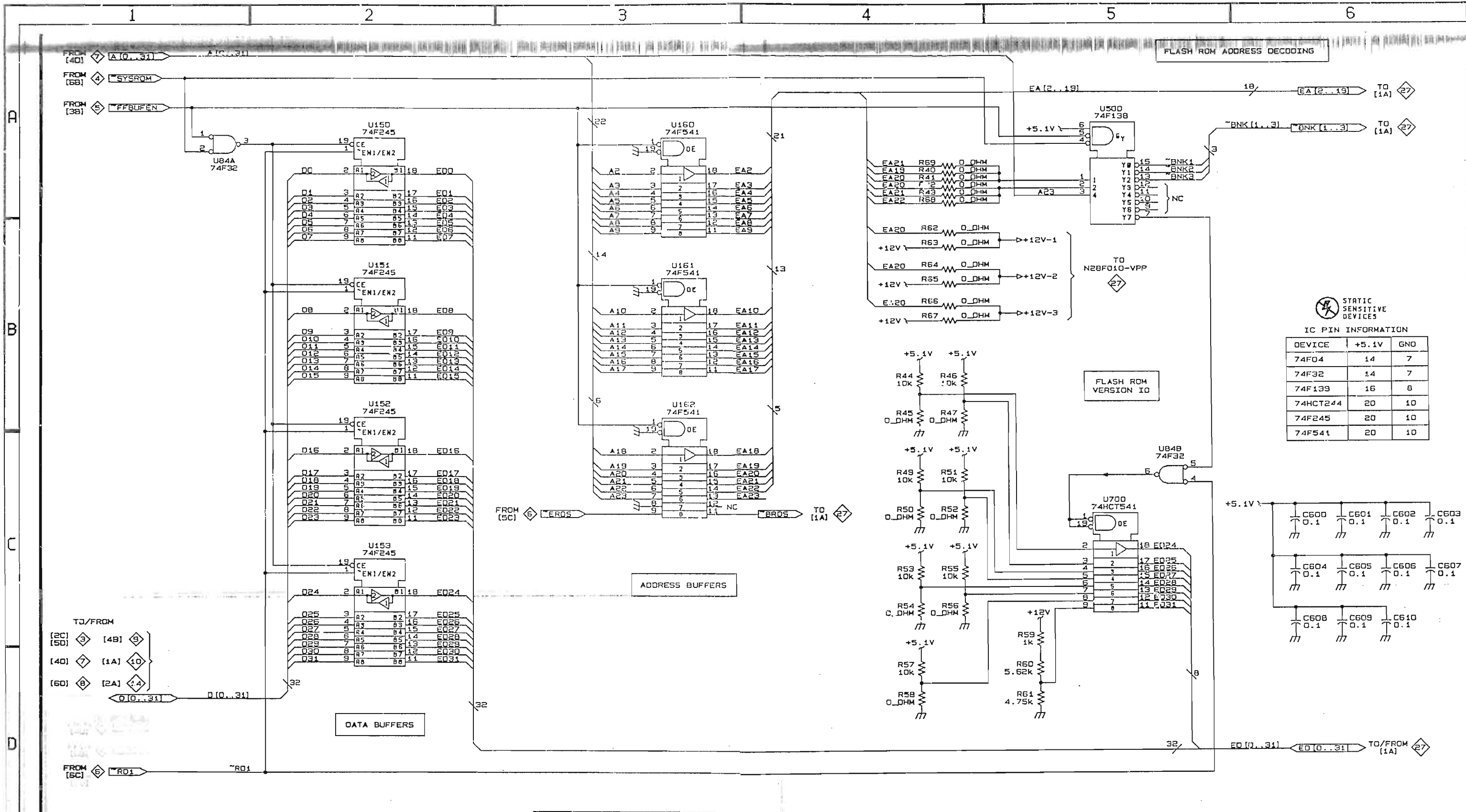


STATIC SENSITIVE DEVICES

IC PIN INFORMATION

TYPE	+5.1V	GND
DPB473	14	2, 27, 36, 39
SRAM_70NS	28	14
PM100	4, 14, 15, 30, 38, 44, 52, 62, 67, 74	6, 17, 18, 32, 40, 46, 54, 64, 65, 75

PARTIAL A 1 1 DRAM PROCESSOR/DISPLAY BOARD 389A-1383-02/671-2413-01

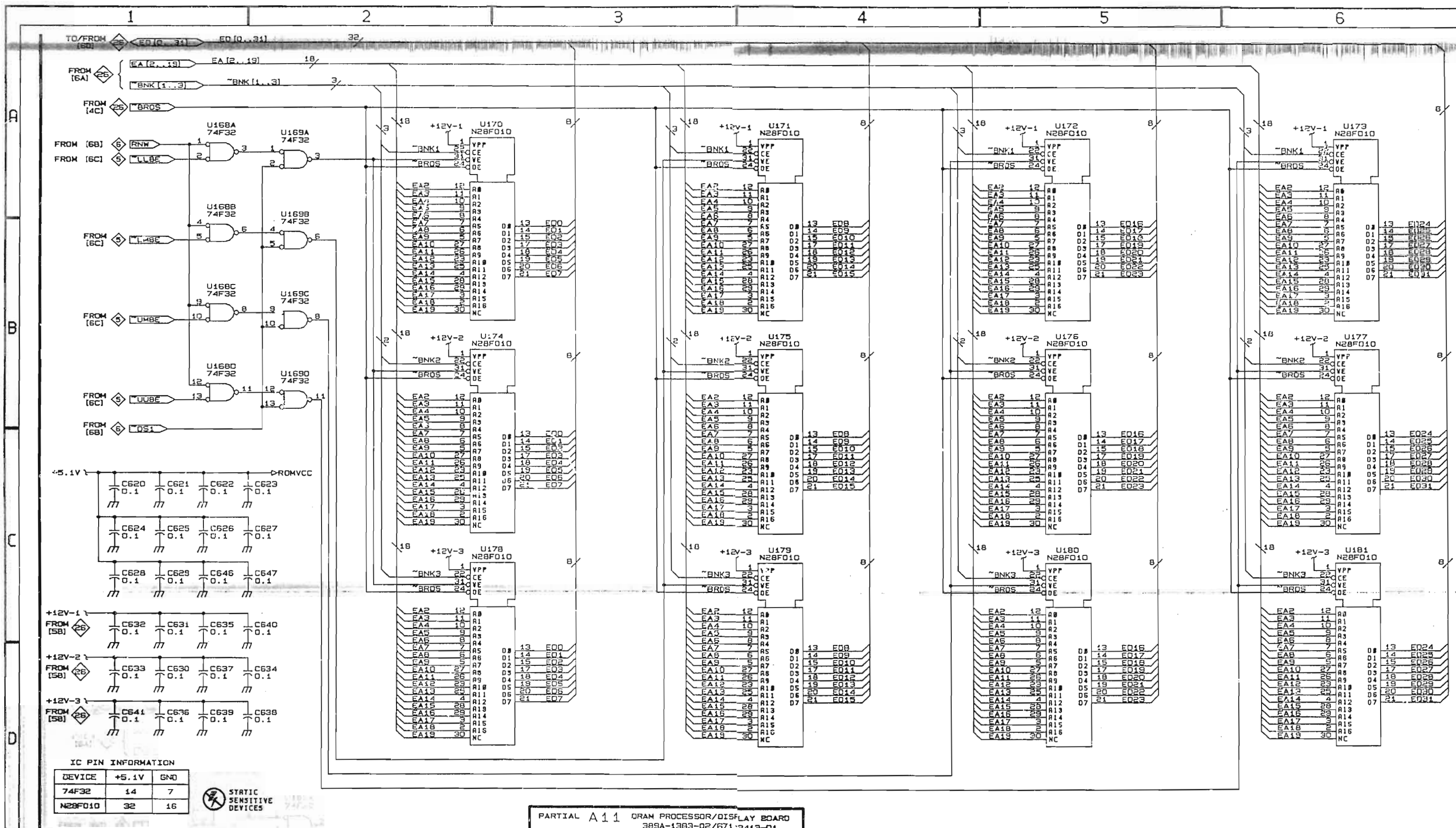


STATIC SENSITIVE DEVICES

IC PIN INFORMATION

DEVICE	+5.1V	GND
74F04	14	7
74F32	14	7
74F139	16	8
74HCT244	20	10
74F245	20	10
74F541	20	10

PARTIAL A11 DRAM PROCESSOR/DISPLAY BOARD
389A-1383-02/671-2413-01

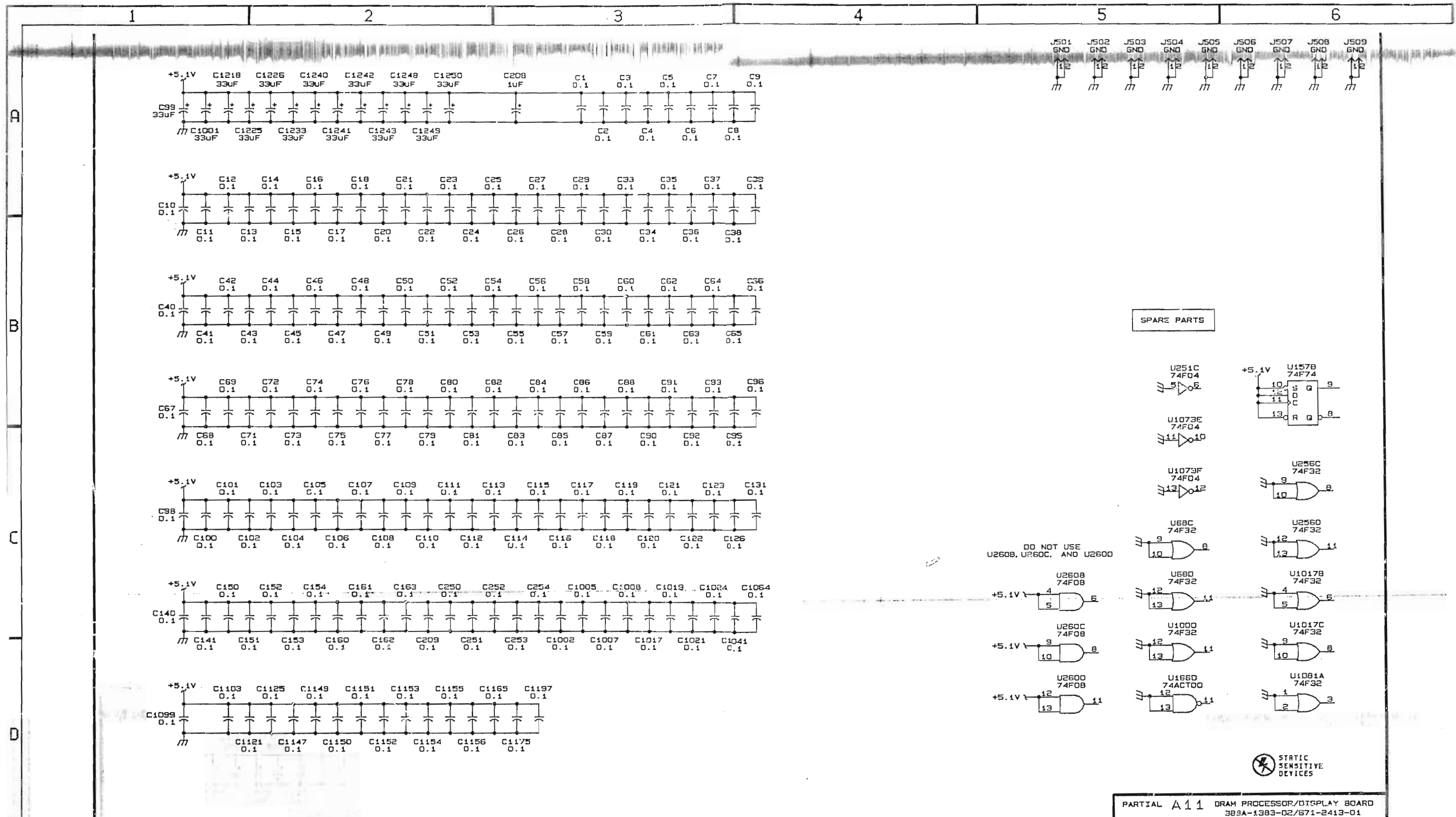


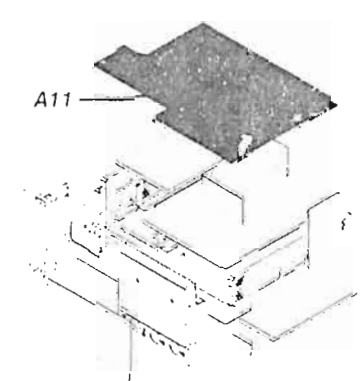
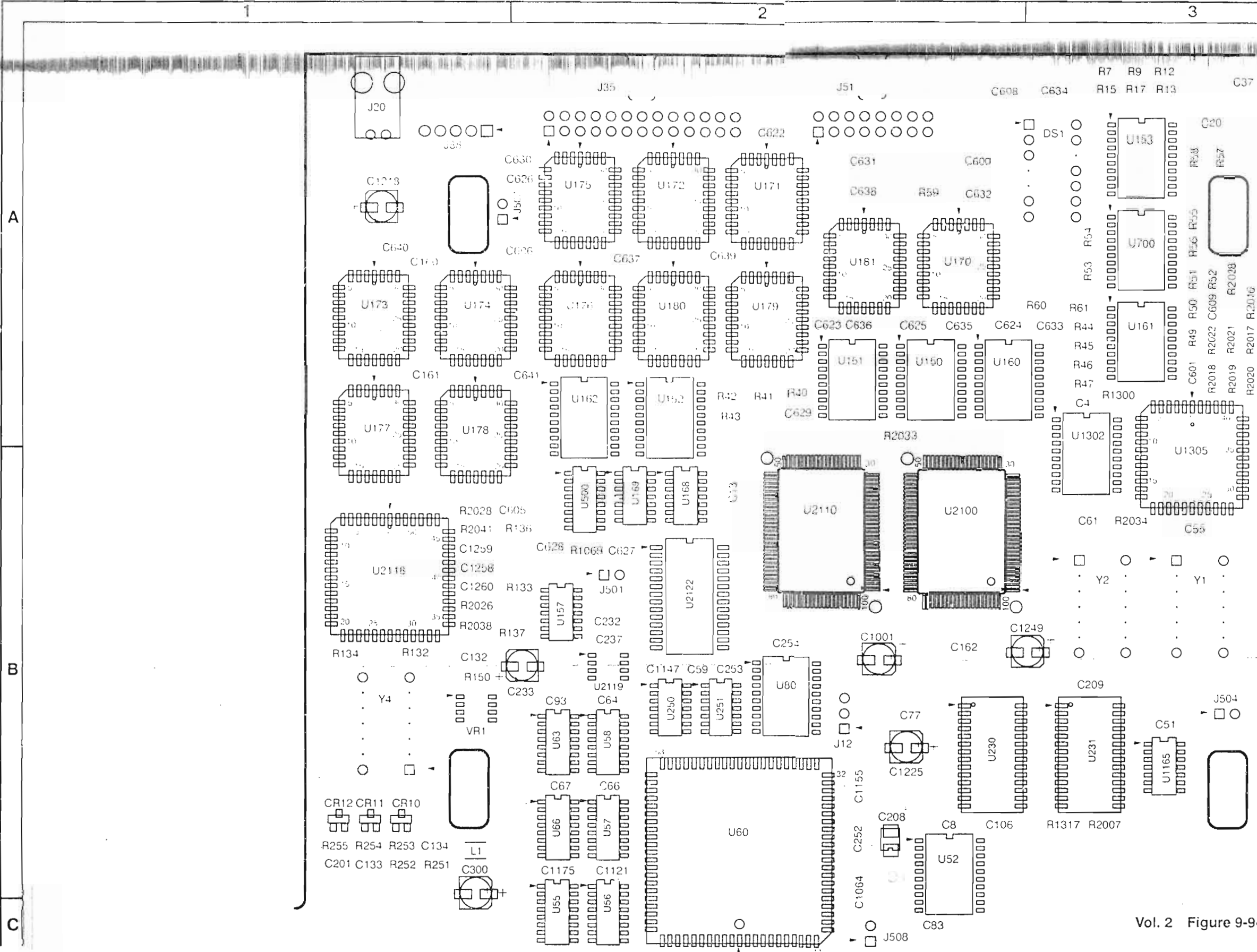
IC PIN INFORMATION

DEVICE	+5.1V	GND
74F32	14	7
N28F010	32	16

⚡ STATIC SENSITIVE DEVICES

PARTIAL A11 DRAM PROCESSOR/DISPLAY BOARD
389A-1383-02/671-2413-01





G9D-1383-01

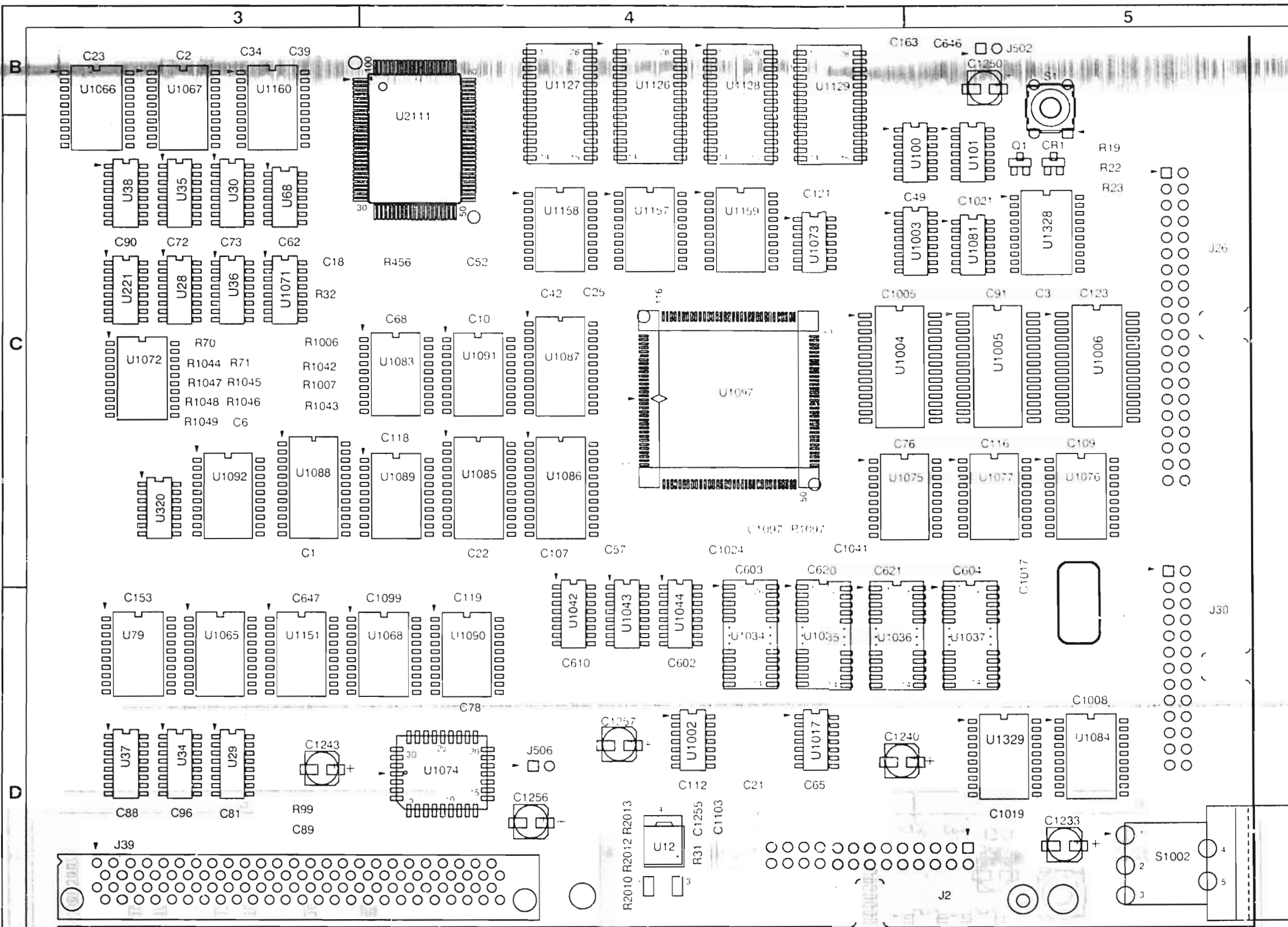
(A)	(B)
(C)	(D)

COMPONENT NUMBER EXAMPLE

Component Number
A23 A2 R1234

STATIC SENSITIVE DEVICES

Vol. 2 Figure 9-94: A11 DRAM Processor/Display Board (Section A)



G9D - 1383 - 01

(A)	(B)
(C)	(D)

COMPONENT NUMBER EXAMPLE

Component Number			
A23	A2	R1234	
Assembly Number	Subassembly Number of Board	Part Number	Quantity

⚡ STATIC SENSITIVE DEVICES

Vol. 2 Figure 9-97: A11 DRAM Processor/Display Board (Section D)