

Instructions

067-1066-00 CALIBRATION FIXTURE (Rigid Extender Board)

DESCRIPTION

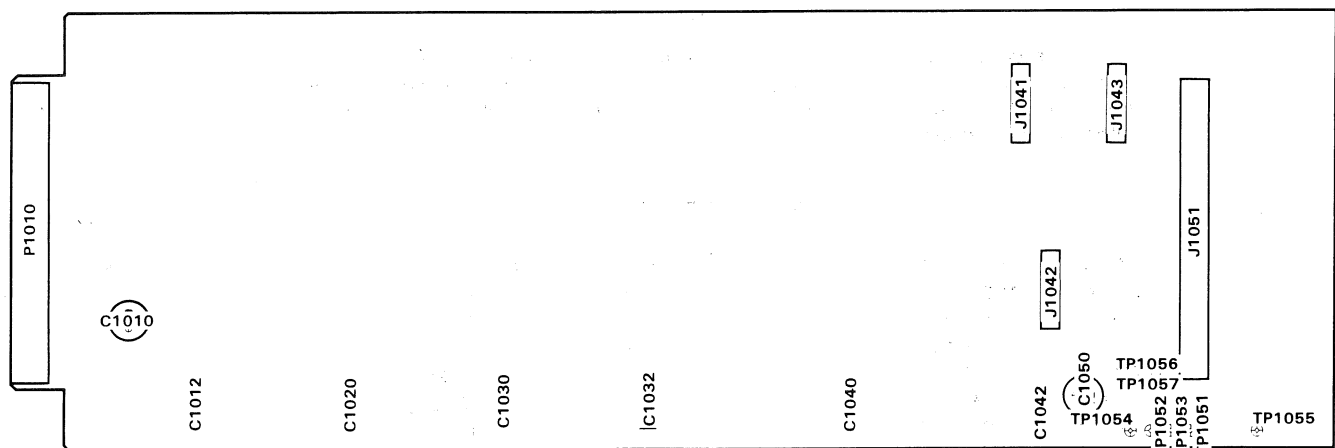
The TEKTRONIX 067-1066-00 Rigid Extender Board is a service test aid for the TEKTRONIX MI 5010/MX 5010 Programmable Multifunction Interface system. The extender board is used to allow access to function cards outside of the MI 5010 or MX 5010 and to build test loads for testing the internal power supplies.

Connectors (J1041, J1042, and J1043) allow access to all of the address, data, and control lines used by the function cards. The connector signal lines are grouped according

to function in order to facilitate the use of a logic analyzer or other digital service instruments for development, debugging or repair of function cards.

The vector board areas provide space for building power supply test loads or special test circuits using passive or active components.

Test points are provided on the board for all voltages and grounds used in the MI 5010/MX 5010 system. The +5 V points are well filtered to compensate for the long circuit board runs on the Rigid Extender Board.



067-1066-00

4229-01

REPLACEABLE PARTS

PARTS ORDERING INFORMATION

Replacement parts are available from or through your local Tektronix, Inc. Field Office or representative.

Changes to Tektronix instruments are sometimes made to accommodate improved components as they become available, and to give you the benefit of the latest circuit improvements developed in our engineering department. It is therefore important, when ordering parts, to include the following information in your order: Part number, instrument type or number, serial number, and modification number if applicable.

If a part you have ordered has been replaced with a new or improved part, your local Tektronix, Inc. Field Office or representative will contact you concerning any change in part number.

Change information, if any, is located at the rear of this manual.

SPECIAL NOTES AND SYMBOLS

- X000 Part first added at this serial number
- 00X Part removed after this serial number

ITEM NAME

In the Parts List, an Item Name is separated from the description by a colon (:). Because of space limitations, an Item Name may sometimes appear as incomplete. For further Item Name identification, the U.S. Federal Cataloging Handbook H6-1 can be utilized where possible.

ABBREVIATIONS

ACTR	ACTUATOR	PLSTC	PLASTIC
ASSY	ASSEMBLY	QTZ	QUARTZ
CAP	CAPACITOR	RECP	RECEPTACLE
CER	CERAMIC	RES	RESISTOR
CKT	CIRCUIT	RF	RADIO FREQUENCY
COMP	COMPOSITION	SEL	SELECTED
CONN	CONNECTOR	SEMICOND	SEMICONDUCTOR
ELCTLT	ELECTROLYTIC	SENS	SENSITIVE
ELEC	ELECTRICAL	VAR	VARIABLE
INCAND	INCANDESCENT	WW	WIREWOUND
LED	LIGHT EMITTING DIODE	XFMR	TRANSFORMER
NONWIR	NON WIREWOUND	XTAL	CRYSTAL

CROSS INDEX—MFR. CODE NUMBER TO MANUFACTURER

Mfr. Code	Manufacturer	Address	City, State, Zip
22526	BERG ELECTRONICS, INC.	YOKU EXPRESSWAY	NEW CUMBERLAND, PA 17070
31781	EDAC INC.	20 RAILSIDE RD.	DON MILLS, ONT, CANADA M3A 1A
56289	SPRAGUE ELECTRIC CO.	87 MARSHALL ST.	NORTH ADAMS, MA 01247
72982	ERIE TECHNOLOGICAL PRODUCTS, INC.	644 W. 12TH ST.	ERIE, PA 16512
80009	TEKTRONIX, INC.	P O BOX 500	BEAVERTON, OR 97077
83385	CENTRAL SCREW CO.	2530 CRESCENT DR.	BROADVIEW, IL 60153
99392	MEMPCO/ELECTRA INC., ROXBORO DIV.	P O BOX 1223	ROXBORO, NC 27573

Replaceable Parts—067-1066-00

Ckt No.	Tektronix Part No.	Serial/Model No. Eff	Dscont	Name & Description	Mfr Code	Mfr Part Number
C1010	290-0770-00			CAP., FXD, ELCLTLT:100UF, +50-10%, 25V	56289	502D230
C1012	285-1189-00			CAP., FXD, MTLZD:0.1UF, 5%, 100V	99392	C280MAH/J100K
C1020	281-0812-00			CAP., FXD, CER DI:1000PF, 10%, 100V	72982	8035D9AADX7R102K
C1030	285-1189-00			CAP., FXD, MTLZD:0.1UF, 5%, 100V	99392	C280MAH/J100K
C1032	281-0812-00			CAP., FXD, CER DI:1000PF, 10%, 100V	72982	8035D9AADX7R102K
C1040	285-1189-00			CAP., FXD, MTLZD:0.1UF, 5%, 100V	99392	C280MAH/J100K
C1042	281-0812-00			CAP., FXD, CER DI:1000PF, 10%, 100V	72982	8035D9AADX7R102K
C1050	290-0770-00			CAP., FXD, ELCLTLT:100UF, +50-10%, 25V	56289	502D230
TP1051	214-0579-00			TERM, TEST POINT: BRS CD PL	80009	214-0579-00
TP1052	214-0579-00			TERM, TEST POINT: BRS CD PL	80009	214-0579-00
TP1053	214-0579-00			TERM, TEST POINT: BRS CD PL	80009	214-0579-00
TP1054	214-0579-00			TERM, TEST POINT: BRS CD PL	80009	214-0579-00
TP1055	214-0579-00			TERM, TEST POINT: BRS CD PL	80009	214-0579-00
TP1056	214-0579-00			TERM, TEST POINT: BRS CD PL	80009	214-0579-00
TP1057	214-0579-00			TERM, TEST POINT: BRS CD PL	80009	214-0579-00

Component No.	Tektronix Part No.	Serial/Model No. Eff	Dscont	Name & Description	Mfr Code	Mfr Part Number
---------------	--------------------	----------------------	--------	--------------------	----------	-----------------

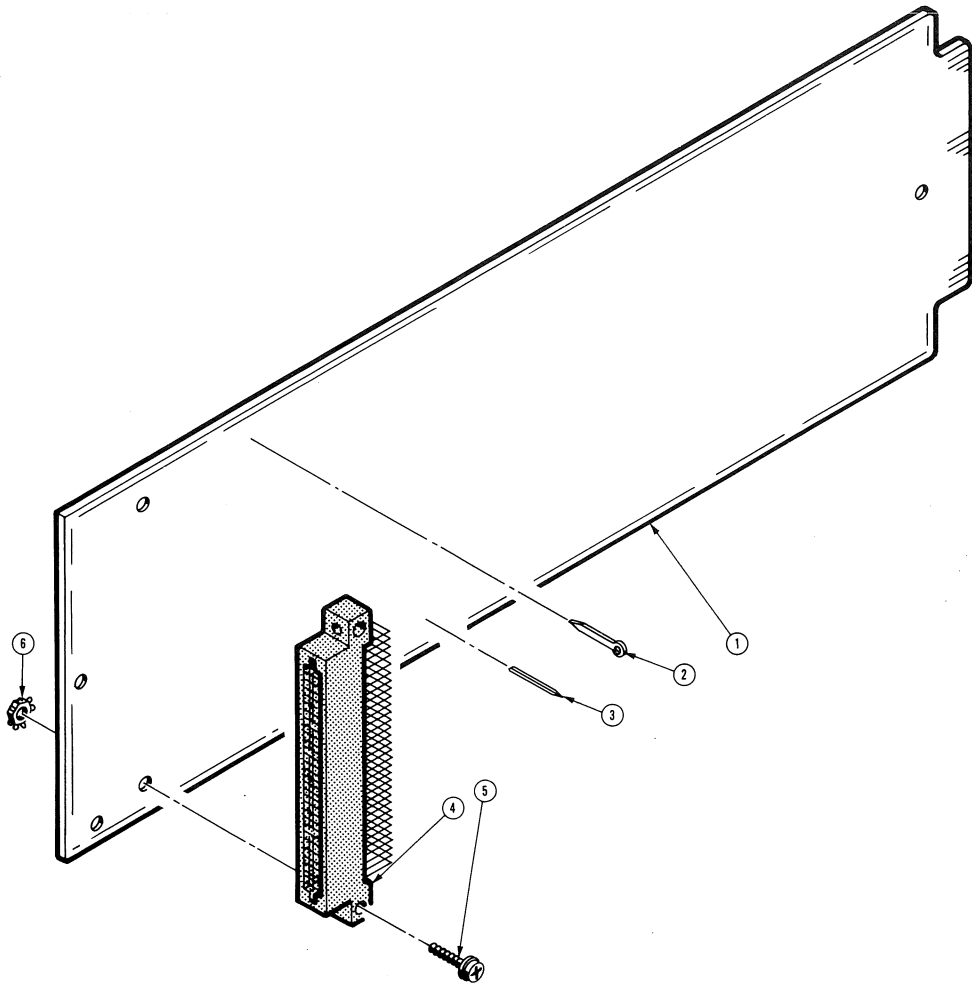
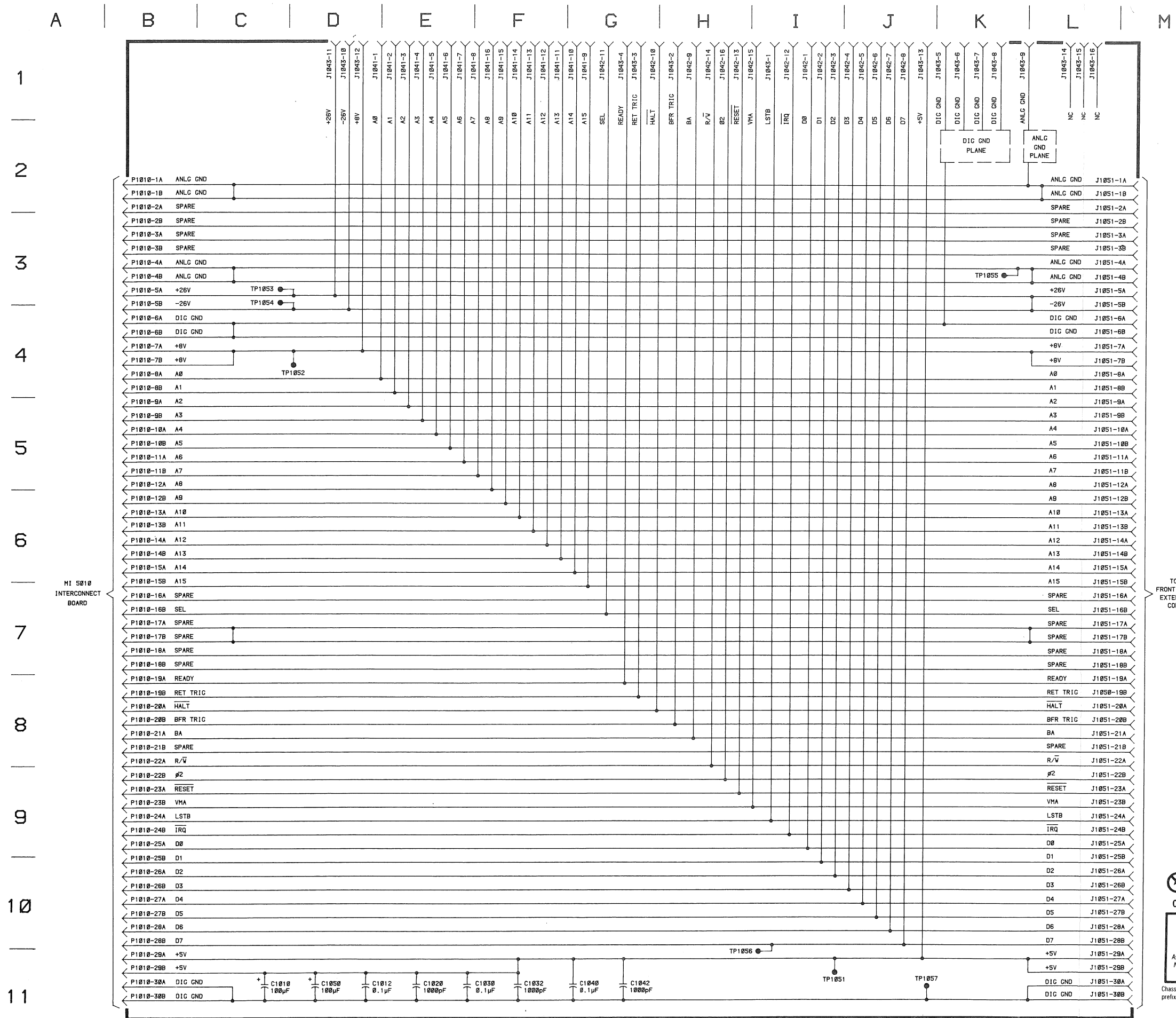


Fig. & Index No.	Tektronix Part No.	Serial/Model No. Eff	Dscont	Qty	1	2	3	4	5	Name & Description	Mfr Code	Mfr Part Number
-1	670-7602-00			1						CKT BOARD ASSY:RIGID EXTENDER	80009	670-7602-00
-2	214-0579-00			6						TERM,TEST POINT:BRZ CD PL	80009	214-0579-00
-3	131-0608-00			48						TERMINAL,PIN:0.365 L X 0.025 PH BRZ GOLD	22526	47357
-4	131-2821-00			1						CONN,RCPT,ELEC:EDGE CARD,2 X 30,0.1 (ATTACHING PARTS)	31781	345-060-558-212
-5	211-0152-00			2						SCR,ASSEM WSHR:4-40 X 0.625 INCH,PNH BRZ	83385	OBD
-6	210-0586-00			2						NUT,PL,ASSEM WA:4-40 X 0.25,STL CD PL	83385	OBD
										- - - * - - -		



067-1066-00

4229-25

RIGID EXTENDER CARD

JP

⊗ Static Sensitive Devices
See Maintenance Section

COMPONENT NUMBER EXAMPLE

Component Number		
A23 A2 R1234		
Assembly Number	Subassembly Number (if used)	Schematic Circuit Number

Chassis-mounted components have no Assembly Number prefix—see end of Replaceable Electrical Parts List.