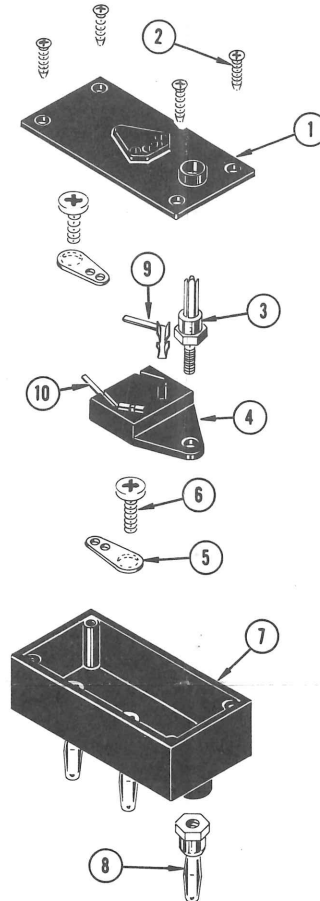
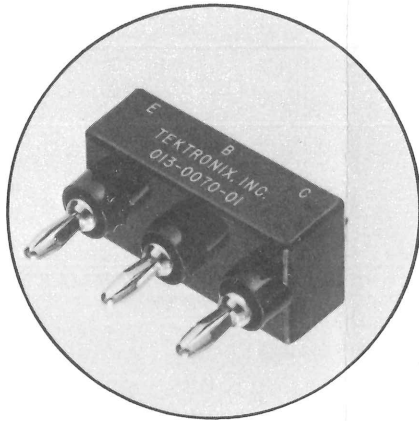


ADAPTER, 3 TERMINAL TRANSISTOR (Part 013-0070-01)



| Fig. & Index No. | Tektronix Part No. | Serial/Model No. Eff Disc | Qty | Description |
|------------------|--------------------|---------------------------|-----|--|
| | | | | |
| 1 | 200-0802-00 | | 1 | COVER, transistor adapter |
| 2 | 213-0113-00 | | - | mounting hardware: (not included w/cover) |
| 3 | 131-0766-00 | | 4 | SCREW, thread forming, 2-32 x 5/16 inch, PHS |
| 4 | 432-0059-00 | | 1 | TERMINAL, feed thru, assembly |
| 5 | 210-0202-00 | | 1 | BASE, contact mounting, plastic |
| 6 | 211-0537-00 | | 2 | LUG, solder, SE #6 |
| 7 | 202-0121-01 | | - | mounting hardware for each: (not included w/lug) |
| 8 | 134-0013-00 | | 1 | SCREW, 6-32 x 3/8 inch, THS |
| 9 | 131-0545-00 | | 1 | BOX, socket adapter, black |
| 10 | 131-0544-00 | | 3 | PLUG, banana, female, 6-32 tap |
| | | | 1 | CONTACT, electrical, left |
| | | | 1 | CONTACT, electrical, right |

DATA SHEET

NO. 062-1026-00

DATE DEC 1972 (R)

COPYRIGHT © 1968
 TEKTRONIX INC.
 ALL RIGHTS RESERVED