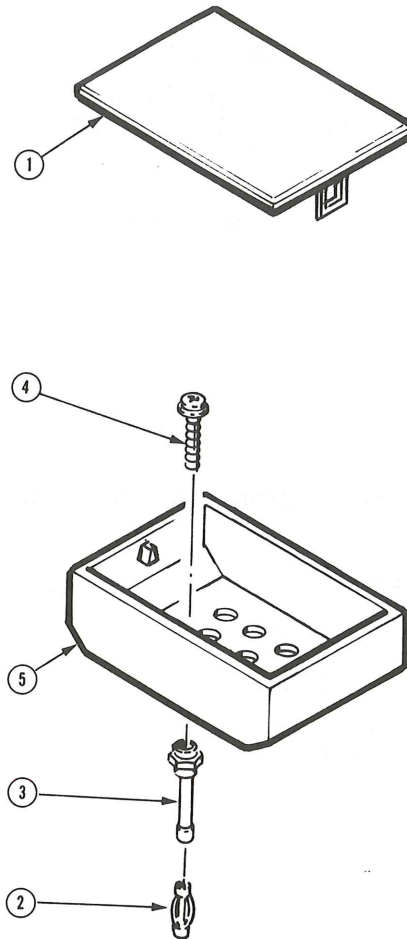


**A1001 for 370 and 371  
A1001 OPTION 01 for 576 and 577  
KELVIN SENSING BLANK ADAPTER**



The A1001 and A1001 Option 01 Kelvin Sensing Blank Adapters differ in that the A1001 is equipped with six interconnect pins which provide Kelvin Sensing for emitter, base and collector terminals. The A1001 Option 01 is equipped with five interconnect pins which provide Kelvin Sensing for emitter and collector terminals only.

The A1001 may be modified to a five-pin configuration by removal of the extra pin.

Since the A1001 Option 01 is slightly wider than the adapter previously supplied, use of the A1001 Option 01 with a 576 or 577 Curve Tracer may require replacement of the existing protective shield assembly. This is only required when the adapter is installed in the right hand socket. If use of the A1001 Option 01 is kept to the left and hand socket, the protective shield need not be replaced. See the Optional Accessories listing for the new protective shield part number.

NO.	062-8510-01
DATE	APR 1987 (R)
COPYRIGHT ©1985 TEKTRONIX, INC. ALL RIGHTS RESERVED	

A1001 AND A1001 OPTION 01

Fig. & Index No.	Tektronix Part No.	Serial/Assembly No. Effective	Dscont	Qty	12345 Name & Description	Mfr. Code	Mfr. Part No.
1-1	200-3186-00	8537	8638	1	COVER,ADAPTER:BLANK	80009	200-3186-00
	200-3186-01	8639		1	COVER,ADAPTER:BLANK	80009	200-3186-01
-2	214-3790-00			6	SPRING,CONTACT:0.470 L,CU BE	80009	214-3790-00
-3	131-3576-00			6	CONTACT,ELEC:0.25 DIA,BRASS (ATTACHING PARTS)	80009	131-3576-00
-4	211-0324-00	8537	8707	6	SCR,ASSEM WSHR:4-40 X 0.188,PNH,T9 TORX DR	01536	829-06780-024
	211-0292-00	8708		6	SCR,ASSEM WSHR:4-40 X 0.29,PNH,BRS NI PL (END ATTACHING PARTS)	78189	51-040445-01
-5	202-0201-00	8537	8638	1	BOX,TEST ADPTR:2.205 X 1.60 X 0.640	80009	202-0201-00
	202-0201-01	8639		1	BOX,TEST ADPTR:2.205 X 1.6 X 0.64	80009	202-0201-01
STANDARD ACCESSORIES							
	003-1369-00	8537	8638	1	RLSE TOOL,COVER:POLYCARBONATE	80009	003-1369-00
	062-8510-00	8537	8638	1	DATA SHEET:A1001 BLANK ADAPTER	80009	062-8510-00
	062-8510-01	8639		1	DATA SHEET:A1001 BLANK ADAPTER	80009	062-8510-01
OPTIONAL ACCESSORIES							
	337-1194-02			1	SHIELD,ELEC:TRANSISTOR	80009	337-1194-02

CROSS INDEX - MFR. CODE NUMBER TO MANUFACTURER

Mfr. Code	Manufacturer	Address	City, State, Zip Code
01536	TEXTRON INC CAMCAR DIV SEMS PRODUCTS UNIT	1818 CHRISTINA ST	ROCKFORD IL 61108
78189	ILLINOIS TOOL WORKS INC SHAKEPROOF DIVISION	ST CHARLES ROAD	ELGIN IL 60120
80009	TEKTRONIX INC	4900 S W GRIFFITH DR P O BOX 500	BEAVERTON OR 97077