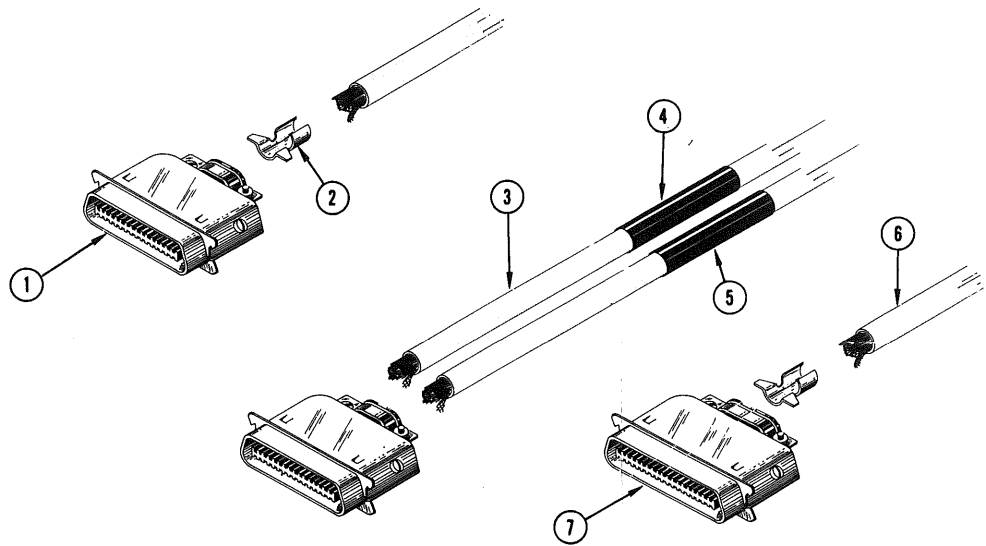
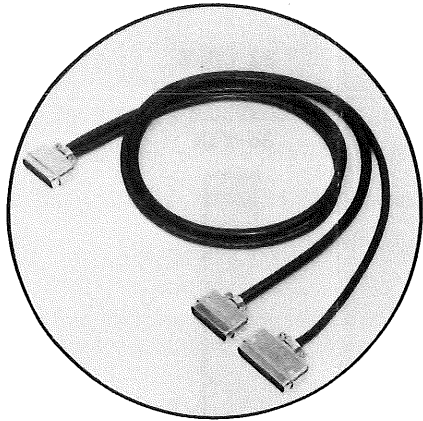



**CABLE, INTERCONNECTING (dual)  
(Part No. 012-0133-00)**



REF. NO.	PART NO.	SERIAL/MODEL NO.		QTY.	DESCRIPTION
		EFF.	DISC.		
1	131-0293-02			2	CONNECTOR, 36 pin, male, keyed
2	343-0087-00			2	CLAMP, cable
3	175-0500-00			ft	CABLE, special purpose, electrical, 5 feet
4	334-1264-00			1	SLEEVE, marker, blue
5	334-1268-00			1	SLEEVE, marker, yellow
6	175-0498-00			ft	CABLE, special purpose, electrical, 5 feet
7	131-0295-00			1	CONNECTOR, 50 pin, male
	334-1276-00			1	LABEL SET, 3 per (not shown)
	205-0104-00			1	SHELL SET, 3 per (not shown)

DATA SHEET	
NO.	062-0949-00
DATE	JUNE 1968
 COPYRIGHT © 1968 TEKTRONIX INC. ALL RIGHTS RESERVED	

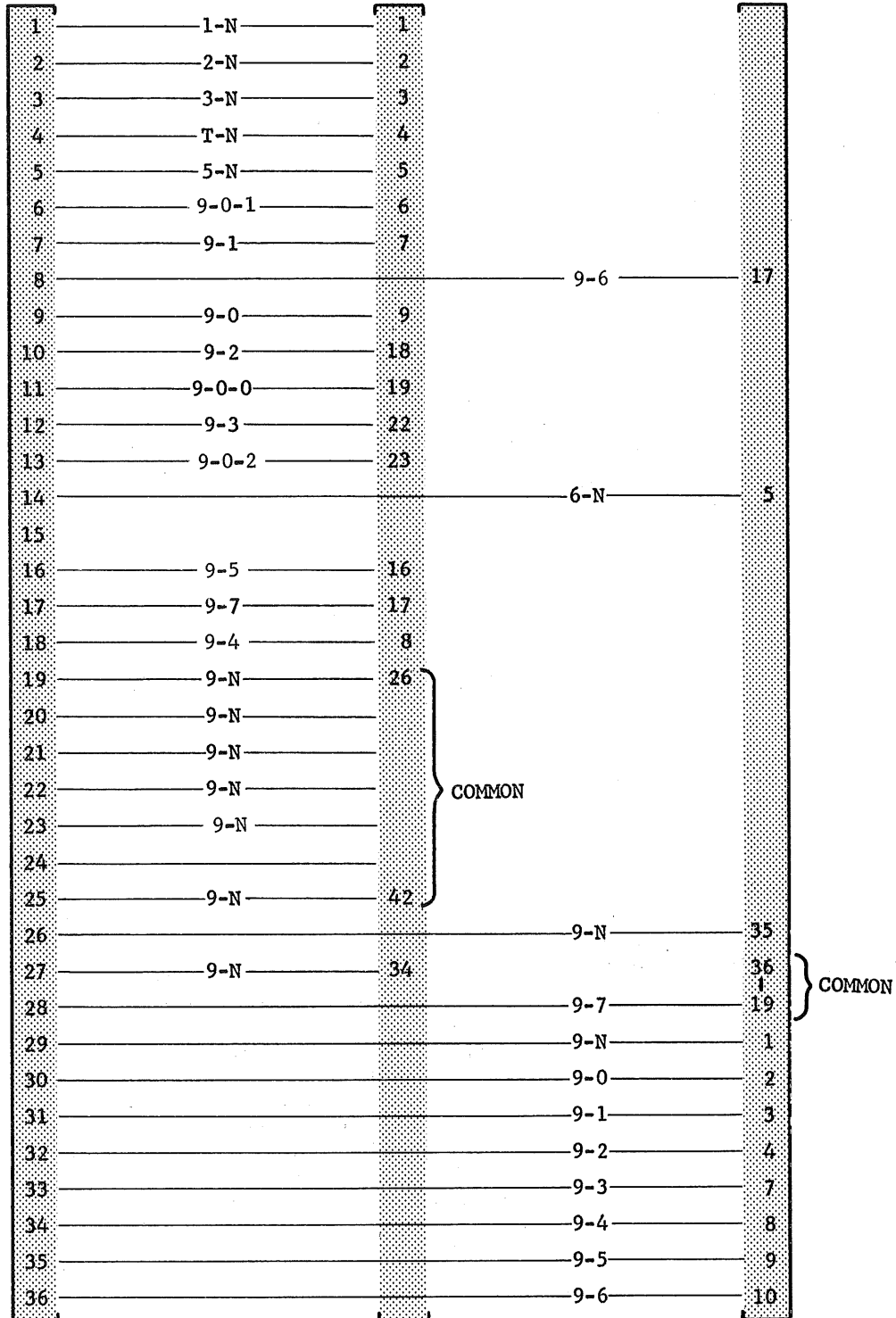
# CABLE, INTERCONNECTING (dual) (Part No. 012-0133-00)

## WIRING DIAGRAM

J111 ONLY  
131-0293-02  
CONNECTOR  
36-PIN

S1 ONLY  
131-0295-00  
CONNECTOR  
50-PIN

S2 ONLY  
131-0293-02  
CONNECTOR  
36-PIN



SHIELD GND TO COVER