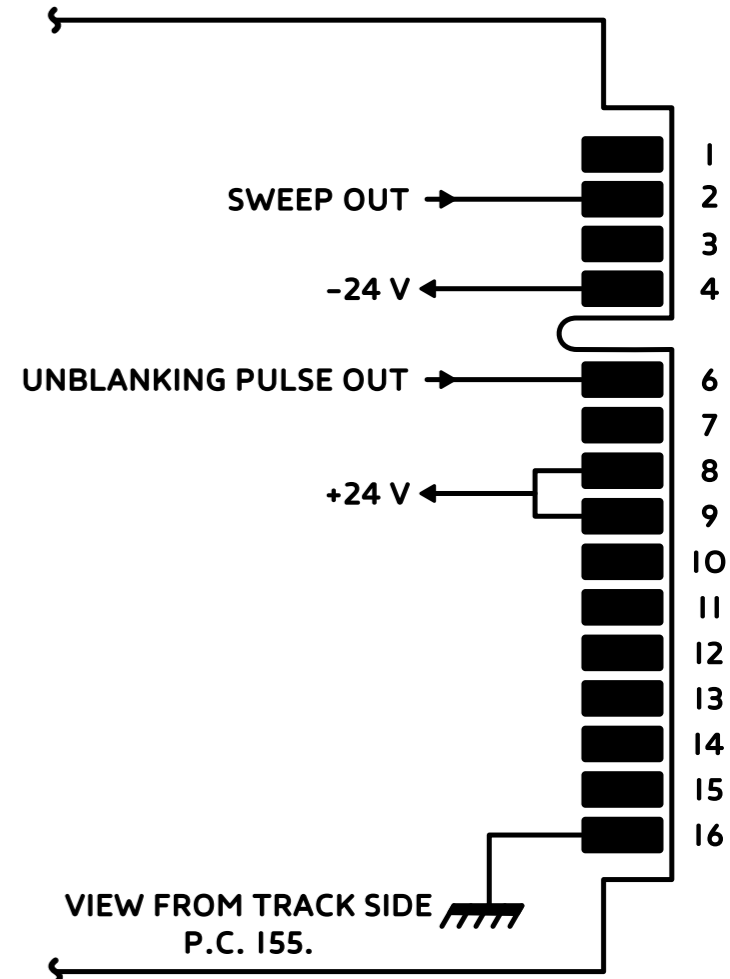
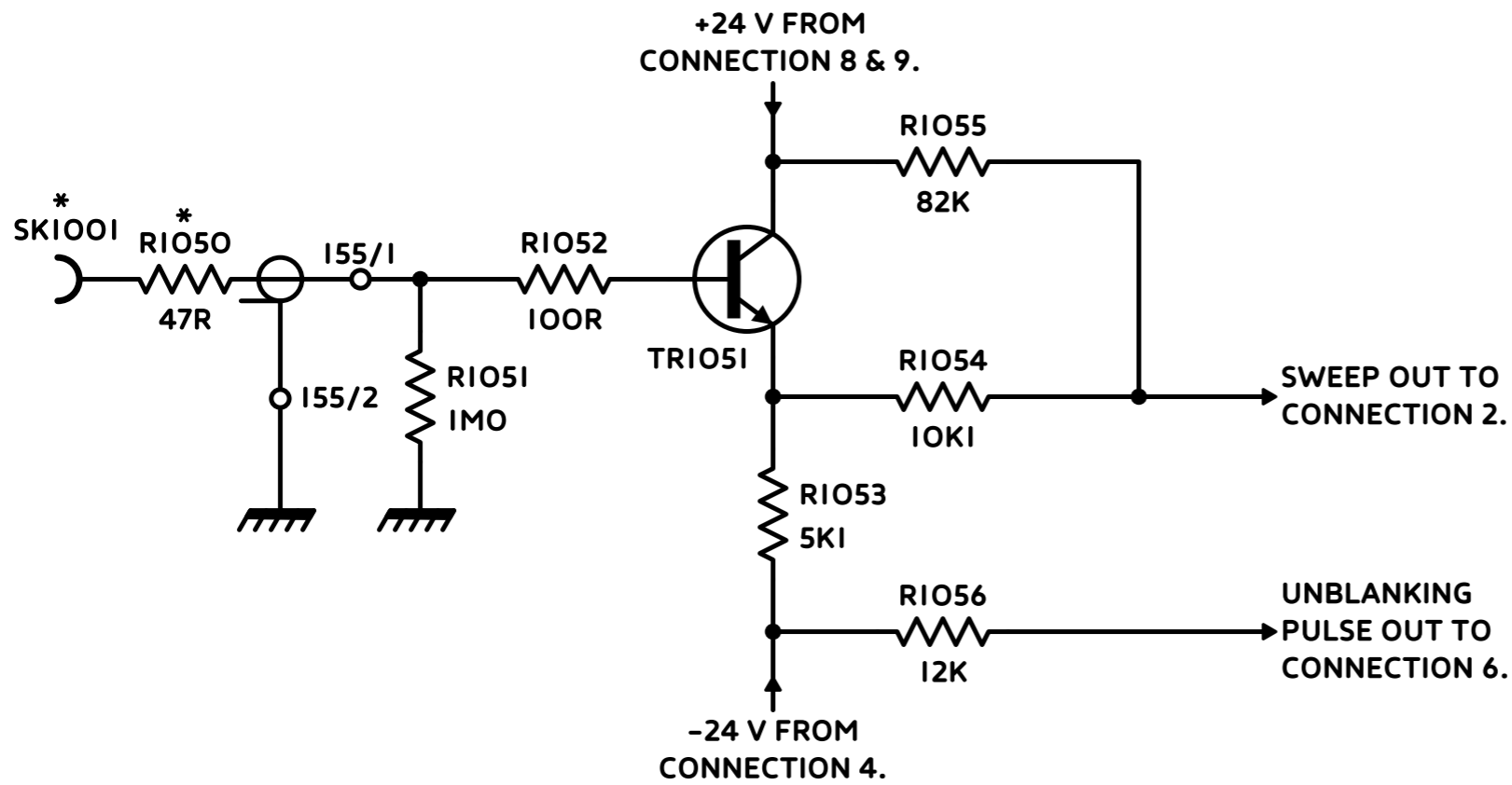


RESISTORS					I054
	I050	I051	I052	I053	I055
					I056
CAPACITORS					
MISC.					
SK1001			TR1051		



- NOTES**
- * DENOTES COMPONENTS NOT MOUNTED ON PC BOARD
 - 155/2 DENOTES PC BOARD/EYELET OR TERMINAL No

TELEQUIPMENT 067-0673-00 HORIZONTAL CALIBRATION UNIT P.C. 155.

DISCLAIMER
 THIS IS NOT AN OFFICIAL TELEQUIPMENT CIRCUIT DIAGRAM BUT RECONSTRUCTED FROM A 067-0673-00 UNIT.
 THE DIAGRAM IS PROVIDED ON AN "AS IS" BASIS WITH NO GUARANTEES OF CORRECTNESS OR COMPLETENESS. USE IT AT YOUR OWN RISK.
 © 2019 by DENIS FISSELER