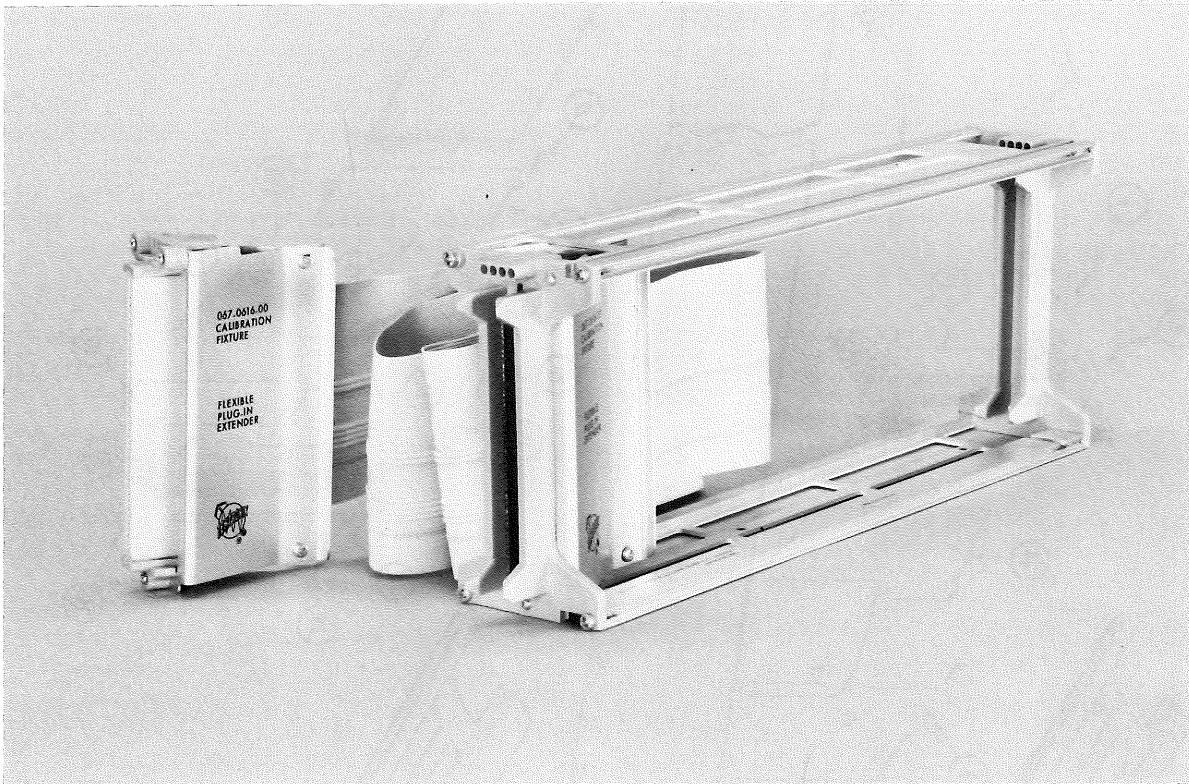


C.2  
B

## 067-0616-00 CALIBRATION FIXTURE

Flexible Extender for 7000 Series Plug-Ins



---

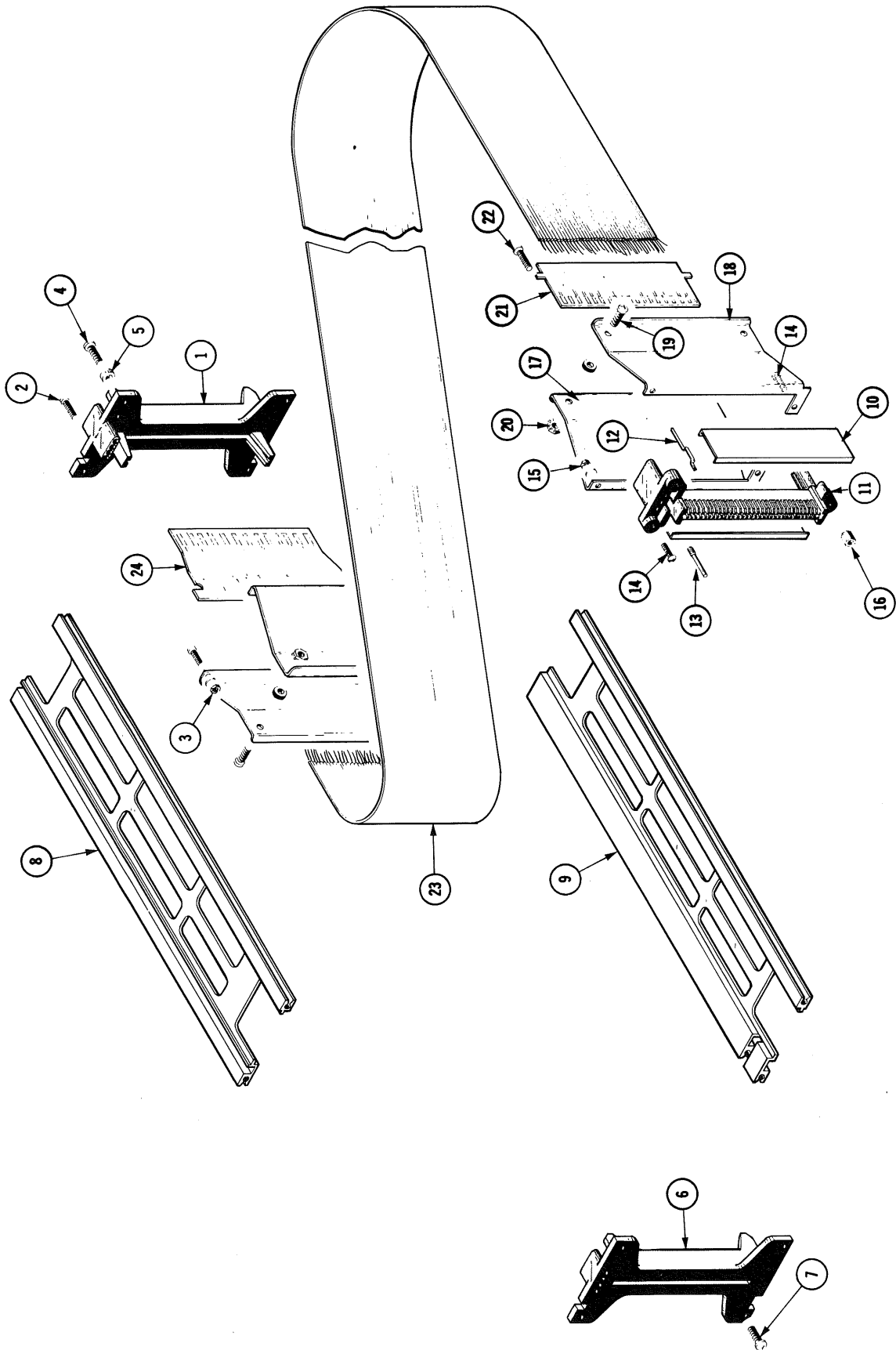
The 067-0616-00 Flexible Extender is designed for use with 7000-Series instruments to facilitate trouble-shooting and calibration of 7000-Series Plug-In Units on the bench.

The Extender is primarily intended for use with 7000-Series Sampling Plug-ins but it can also be used with any 7000-Series Plug-in to facilitate trouble-shooting, providing the user recognizes and accepts the possible bandwidth-limiting effects of the extension cable.

The Extender can also be used to place an adjacent plug-in out of the way on the bench while the affected plug-in is being worked on in the mainframe. For example: The 7A12 Dual-Channel Amplifier can be adjusted while in the mainframe if the timebase is placed out of the way on the Flexible Extender.



EXPLODED



## MECHANICAL PARTS LIST

Fig. & Index No.	Tektronix Part No.	Serial/Model No. Eff Disc	Q					Description
			Y	1	2	3	4	
	067-0616-00		1					CALIBRATION FIXTURE, plug-in extender
	- - - - -		-					calibration fixture includes:
1	386-1402-01		1					PANEL, rear
	- - - - -		-					mounting hardware: (not included w/panel)
2	211-0159-00		3					SCREW, 2-56 x 0.375 inch, PHS
	210-0001-00		3					WASHER, lock, internal, #2
3	210-0405-00		3					NUT, hex. 2-56 x 0.188 inch
4	213-0192-00		4					SCREW, thread forming, 6-32 x 0.50 inch, Fil HS
	- - - - -		-					
5	361-0326-00		1					SPACER, sleeve, 0.10 inch long
	- - - - -		-					
6	386-1402-02		1					PANEL, rear
	- - - - -		-					mounting hardware: (not included w/panel)
7	213-0192-00		4					SCREW, thread forming, 6-32 x 0.50 inch, Fil HS
	- - - - -		-					
8	426-0505-04		1					FRAME SECTION, top
9	426-0499-12		1					FRAME SECTION, bottom
	131-0767-01		1					CONNECTOR, receptacle, 76 contacts
	- - - - -		-					connector includes:
10	200-0950-00		2					COVER, plastic
11	204-0365-00		1					BODY, plastic
12	131-0726-04		4					CONTACT SET, 19 contacts each set
13	105-0224-00		1					STOP, plug-in
	- - - - -		-					mounting hardware: (not included w/ connector)
	- - - - -		-					
14	211-0034-00		3					SCREW, 2-56 x 0.50 inch, PHS
	210-0001-00		2					WASHER, lock, internal, #2
15	210-0405-00		2					NUT, hex., 2-56 x 0.188 inch
16	129-0157-00		1					POST, 0.23 inch long
	- - - - -		-					
17	E337-1376-00		2					SHIELD, electrical, circuit board connector, left
	- - - - -		-					
18	E337-1377-00		2					SHIELD, electrical, circuit board connector, right
	- - - - -		-					mounting hardware for each: (not included w/shield)
	- - - - -		-					
19	211-0008-00		2					SCREW, 4-40 x 0.25 inch, PHS
	210-0849-00		2					WASHER, shouldered, #4
20	210-0586-00		2					NUT, keps, 4-40 x 0.25 inch
	- - - - -		-					
21	388-1759-00		1					CIRCUIT BOARD, plug-in end
	- - - - -		-					mounting hardware: (not included w/ circuit board)
	- - - - -		-					
22	211-0098-00		1					SCREW, 4-40 x 0.375 inch CHS
	- - - - -		-					
23	E175-1189-00		ft					CABLE, special purpose, ribbon 40 inches long

MECHANICAL PARTS LIST(cont)

Fig. & Index No.	Tektronix Part No.	Serial/Model Eff	No. Disc	Q t y					Description
				1	2	3	4	5	
24	388-1760-00			1					CIRCUIT BOARD, oscilloscope end
	- - - - -			-					mounting hardware: (not included w/circuit board)
	211-0098-00			1					SCREW, 4-40 x 0.375 inch, CHS