

DESCRIPTION

A differential amplifier designed for the 485 Vertical. The cascode outputs can provide gain adjust or invert functions by using the proper control voltage. All transistors have been designed to carry a maximum of 90 mA while maintaining their f_T .

PROCESS SHF II

POWER SUPPLY.

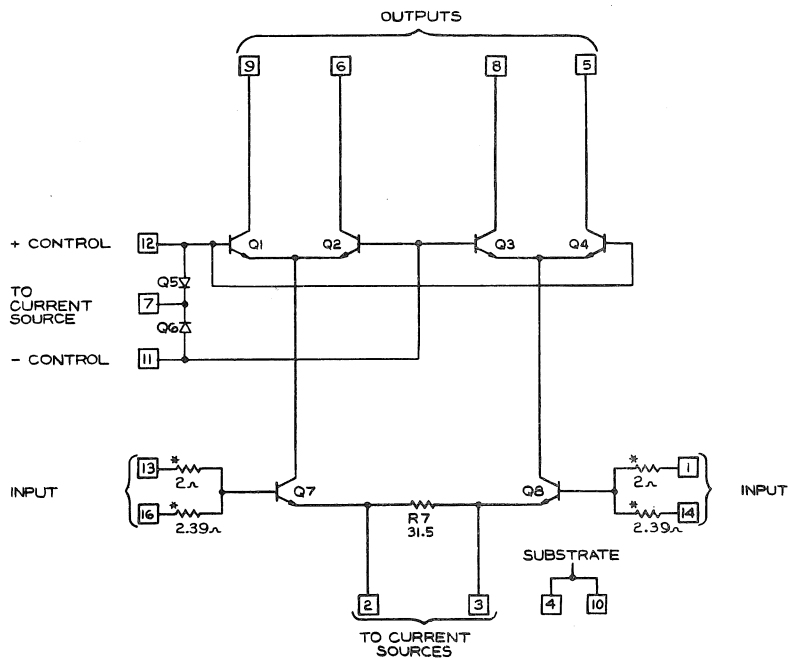
PACKAGE Minipac

DESIGNER John Addis

INSTRUMENT USAGE

475G	475H	475K
485	4851	4852
7A24	7A26	7A26H
7A16	7A16A	7844
7903	7904	475
7912	7834	7A26G
7A26K	P6502	AM503

067-0587-01



NOTE:
 1. RESISTORS MARKED WITH *
 ARE METAL RUNS.

ENGR	<i>J. Langley</i>	10-10-75	PROCESS	SHII
DWN BY	J. Langley	10-9-75	PACKAGE	16 PIN MINIPAC
CHK BY	C. WESTON	10-27-75	DIE SIZE	50 mil X 42 mil
TYPE	MONOLITHIC		485 VERTICAL AMPLIFIER	MO84E
INTEGRATED CIRCUIT DES/MFS TEKTRONIX, INC. BEAVERTON, OREGON, U.S.A.		PART NO. 155-0078-00		