

SWEEP CONTROL

155-0049-02 M079G

DESCRIPTION

This Integrated Circuit contains bright baseline auto circuit, single sweep circuit, and holdoff circuit with terminals for S.S Reset Ready light, triggered light, auto timing, H.O timing, and two pins for new general logic (ie, lockout and main frame delay mode control).

PROCESS 200 Ω /Sq

POWER SUPPLY. V_{CC} +5V, V_{EE} -5V

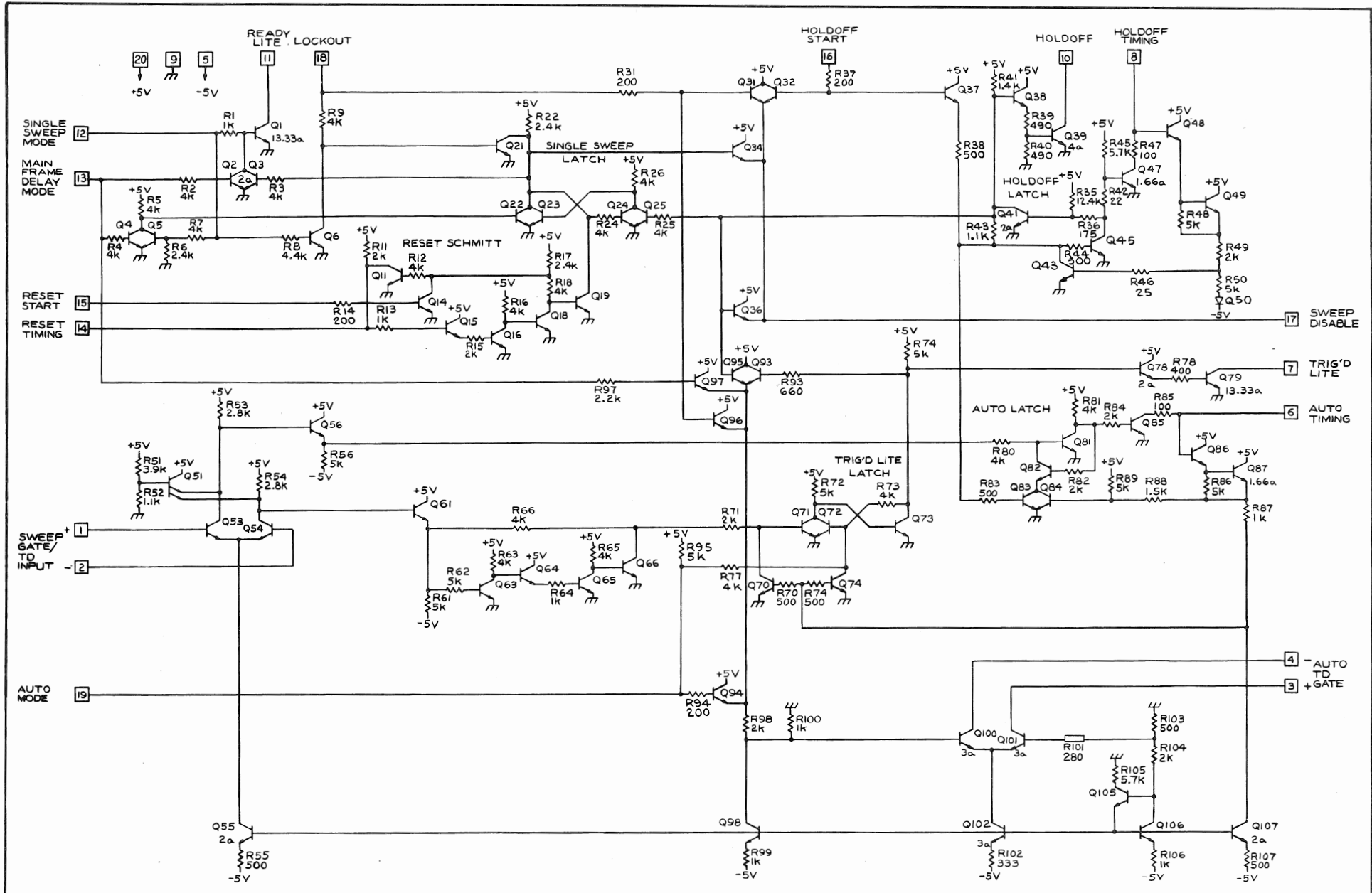
PACKAGE 20 DIP

DESIGNER Bill DeVey

INSTRUMENT USAGE

7B92	485
335K	464
465	466
475	7B80
485	5B31
5B40	5B52
5B42G	5B44
7B85	7B53
4851	4852
SC502	7B502

Some 475 Mods



NOTE:
 1. CROSS UNDER RESISTOR.
 2. ALL EMITTER AREAS ARE 1a.
 (0.5mil X 0.6mil) UNLESS OTHERWISE INDICATED.

ENGR	<i>M. H. Melton</i>	19NOV76	PROCESS	200- μ /o
DWN BY	J. Langley	3NOV76	PACKAGE	20 PIN DIP
CHK BY	C. WESTON	19JAN77	DIE SIZE	60mil X 60mil
TYPE	MONOLITHIC	SWEEP CONTROL		M0796
INTEGRATED CIRCUIT ENG/MFG		PART NO. 155-0049-02		
BEAVERTON, OREGON, U.S.A.				