

GAIN TRIM AMPLIFIER

155-0059-00 M077A

DESCRIPTION

The M077A is a  $f_T$  Doubler with Nichrome emitter resistors, emitter  
Emitter peaking with MOS capacitors, grounded base output transis-  
tors connected similar to a multiplier for gain trim.

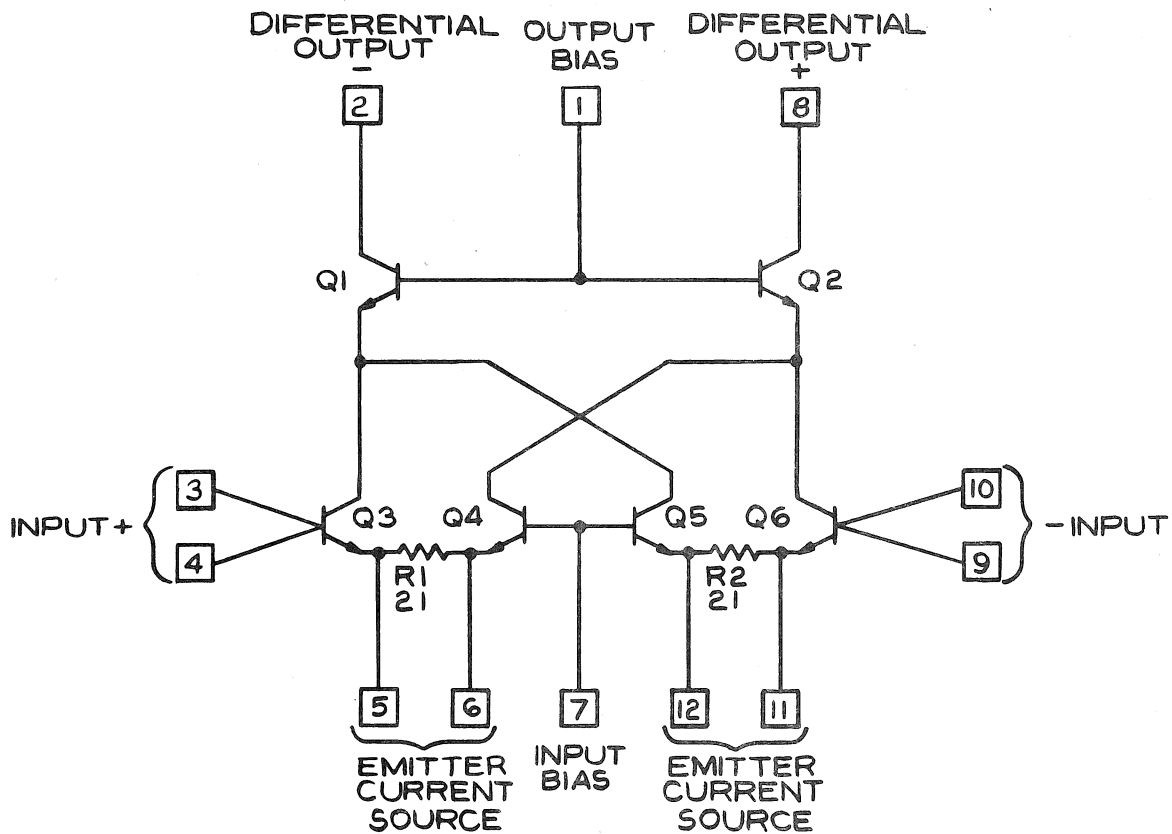
PROCESS . . . . . SHF II

POWER SUPPLY. . . . .

PACKAGE . . . . . 12 Lead Small TO-8

DESIGNER . . . . . Thor Hallen

INSTRUMENT USAGE . . . . . 7904  
7844  
7903  
7912



NOTE:

1. SUBSTRATE WIRE BONDED TO CASE.

ENGR	<i>Don Tree</i>	7-1-76	PROCESS	SHF II
DWN BY	J. Langley	6-30-76	PACKAGE	12 LEAD SMALL PATTERN TO-8
CHK BY	<i>Blade Boyer</i>	7-14-76	DIE SIZE	45mil X 40mil
TYPE	MONOLITHIC	GAIN TRIM AMPLIFIER		M077
INTEGRATED CIRCUIT ENG/MPS TEKTRONIX, INC. BEAVERTON, OREGON, U.S.A.		PART NO. 15B-0059-00		