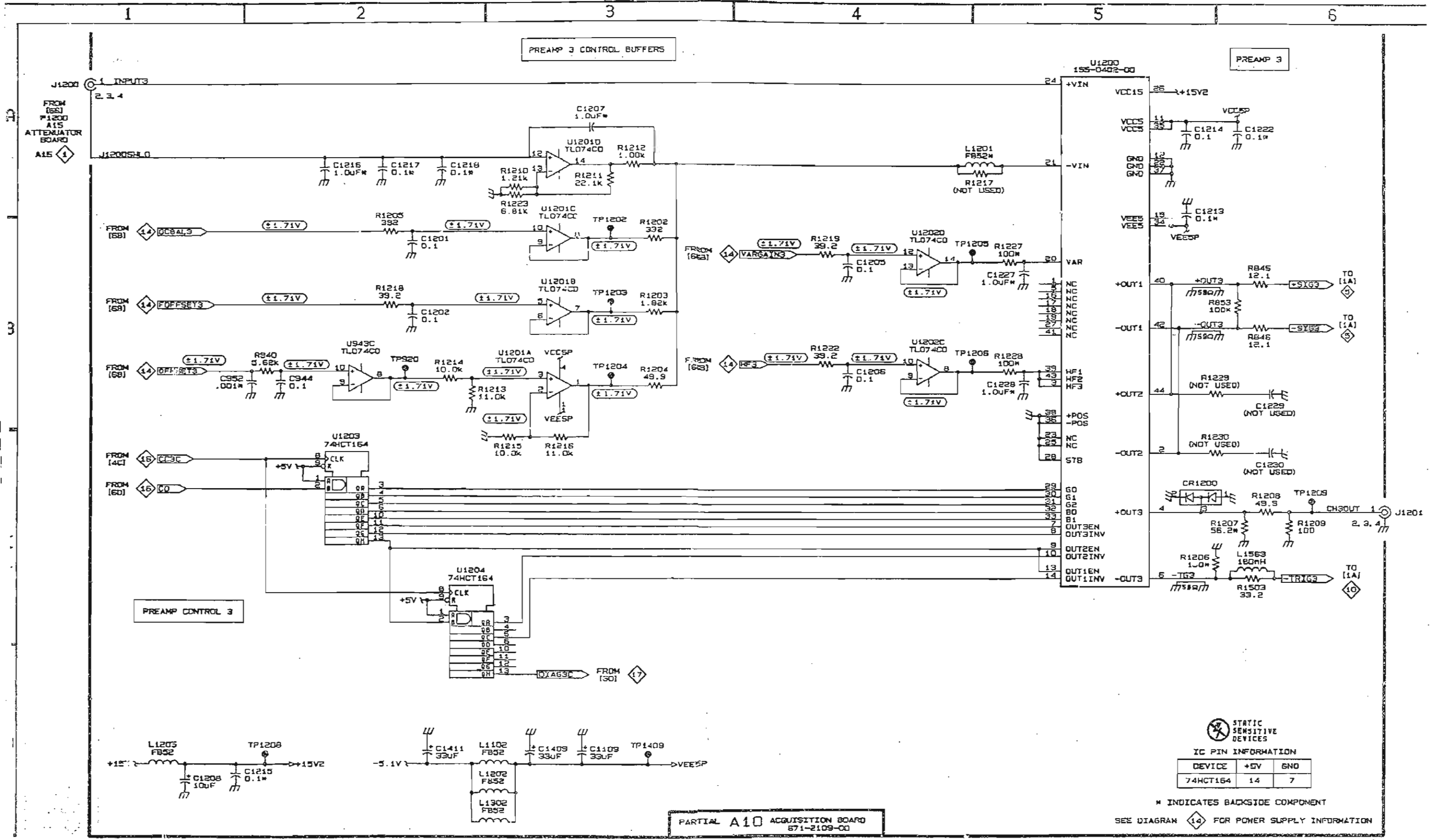


STATIC SENSITIVE DEVICES

IC PIN INFORMATION

DEVICE	+5V	GND
74HCT164	14	7

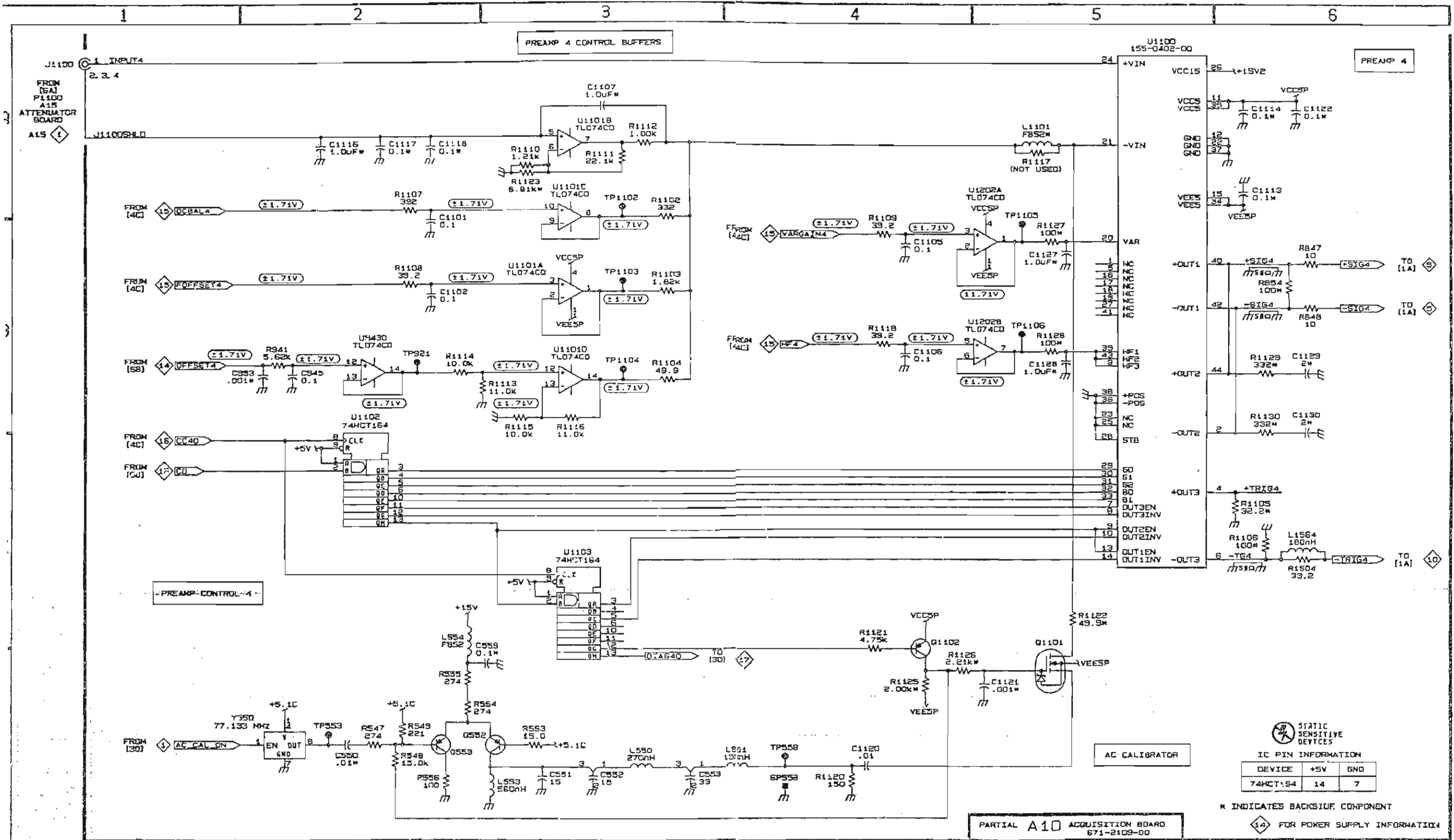
* INDICATES BACKSIDE COMPONENT
SEE DIAGRAM 14 FOR POWER SUPPLY INFORMATION



IC PIN INFORMATION

DEVICE	+5V	GND
74HCT164	14	7

* INDICATES BACKSIDE COMPONENT
 SEE DIAGRAM 14 FOR POWER SUPPLY INFORMATION



TOS 644A

PREAMP 4 AND AC CALIBRATOR A10

STATIC SENSITIVE DEVICES

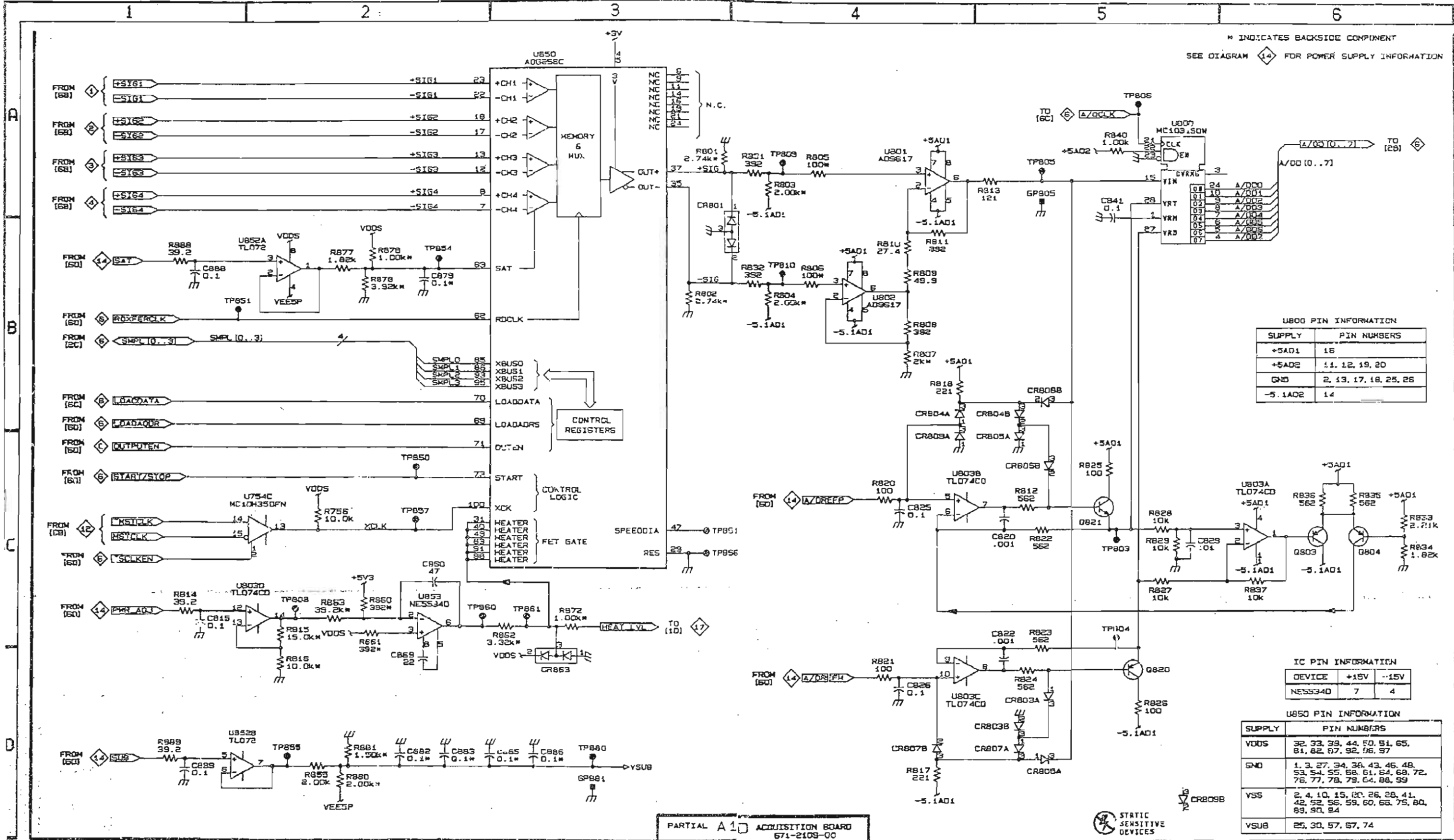
IC PIN INFORMATION

DEVICE	+5V	GND
74HCT164	14	7

* INDICATES BACKSUIF. COMPONENT

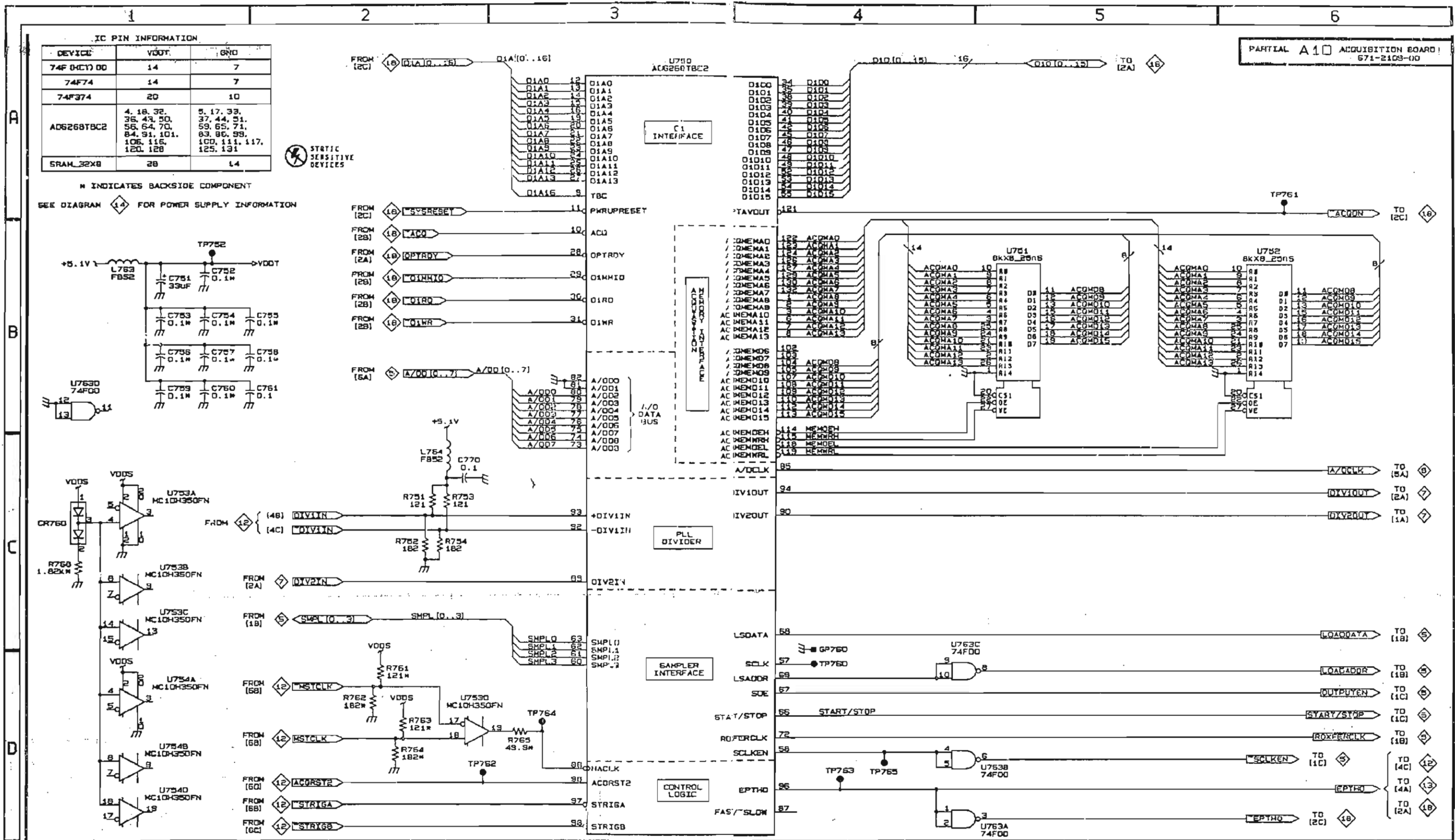
14 FOR POWER SUPPLY INFORMATION

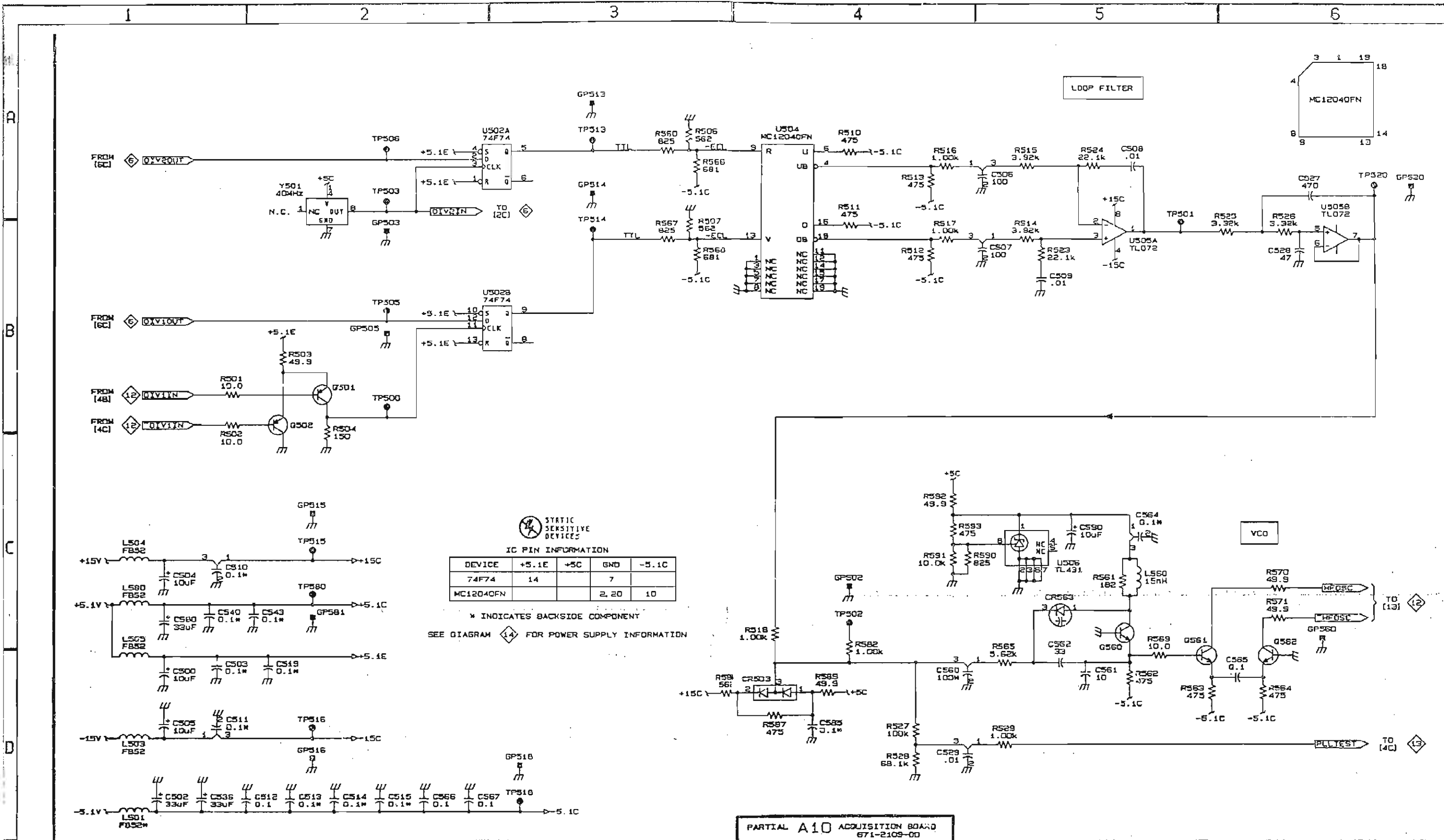
PARTIAL A10 ACQUISITION BOARD
671-2109-00



PARTIAL A10 ACQUISITION BOARD 671-2109-00







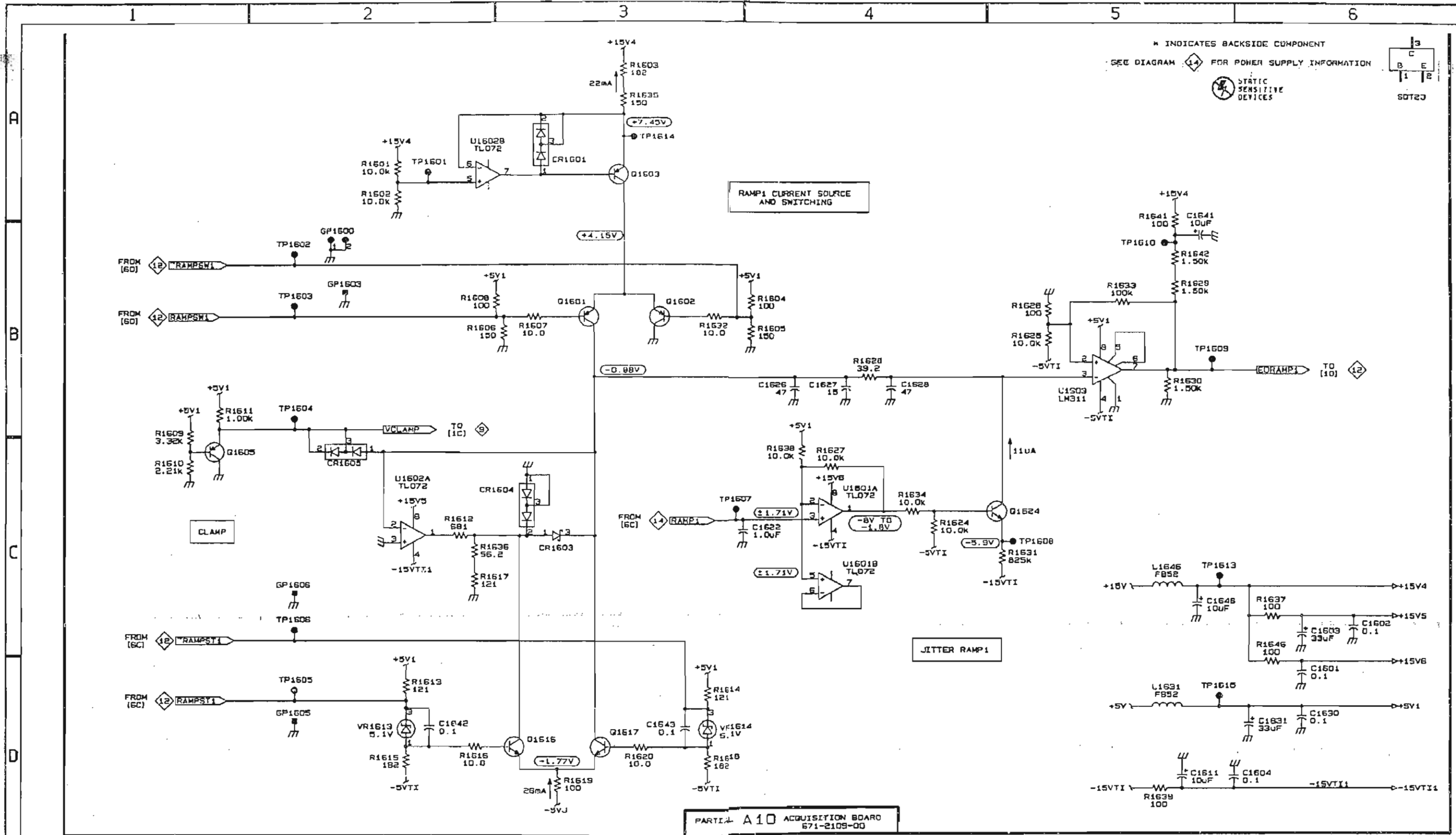
STATIC SENSITIVE DEVICES

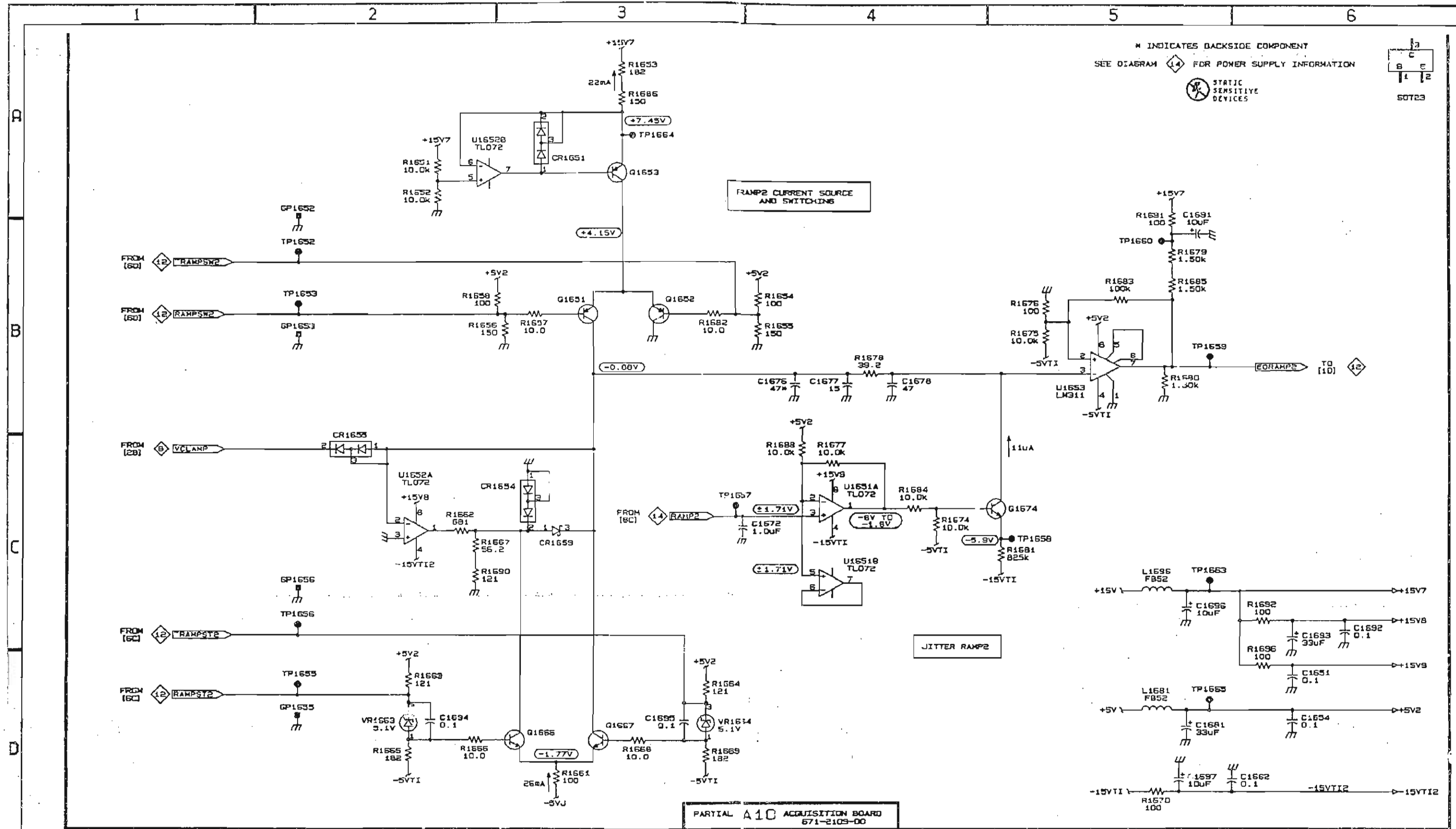
IC PIN INFORMATION

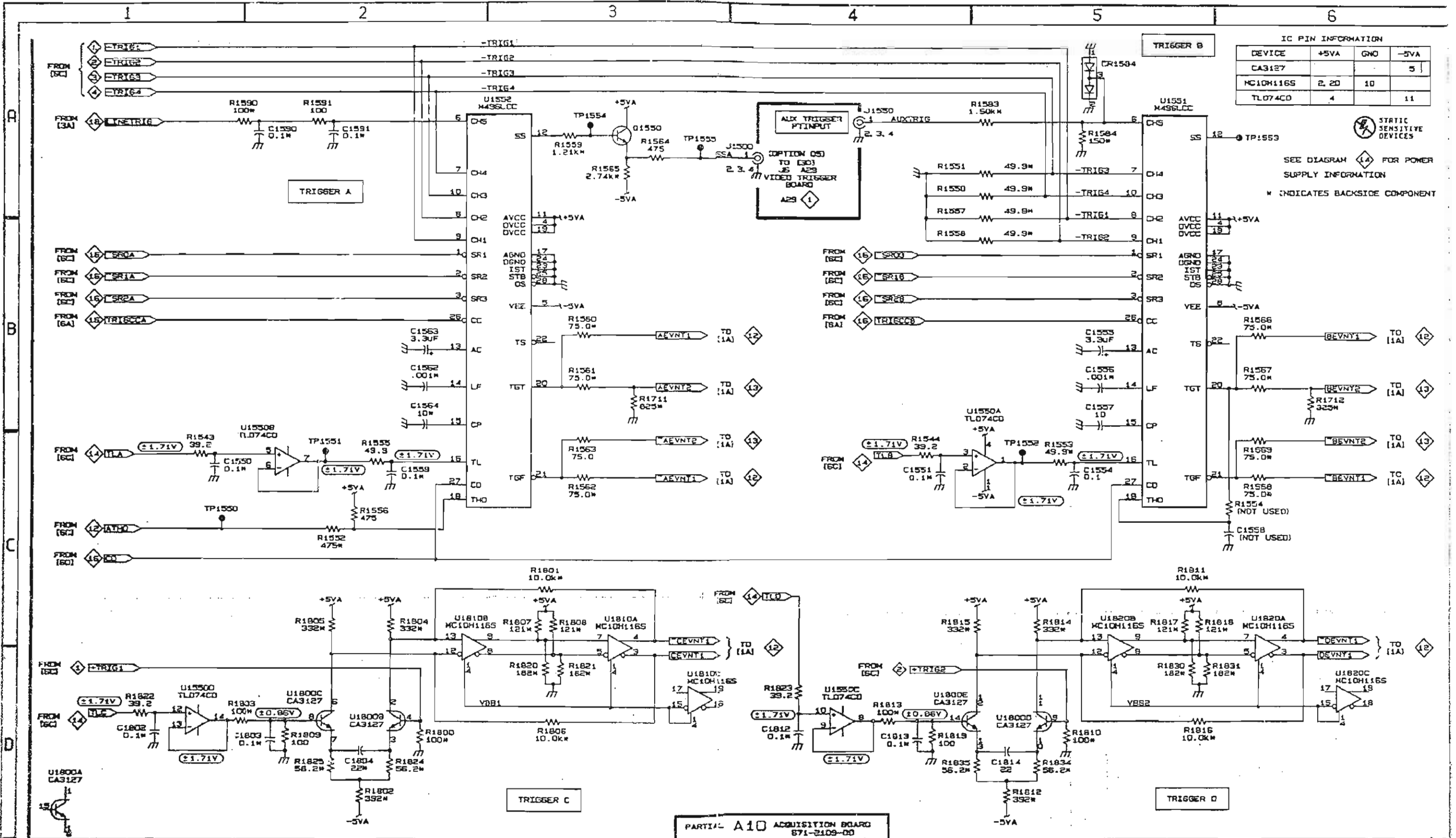
DEVICE	+5.1E	+5C	GND	-5.1C
74F74	14		7	
MC12040FN			2, 20	10

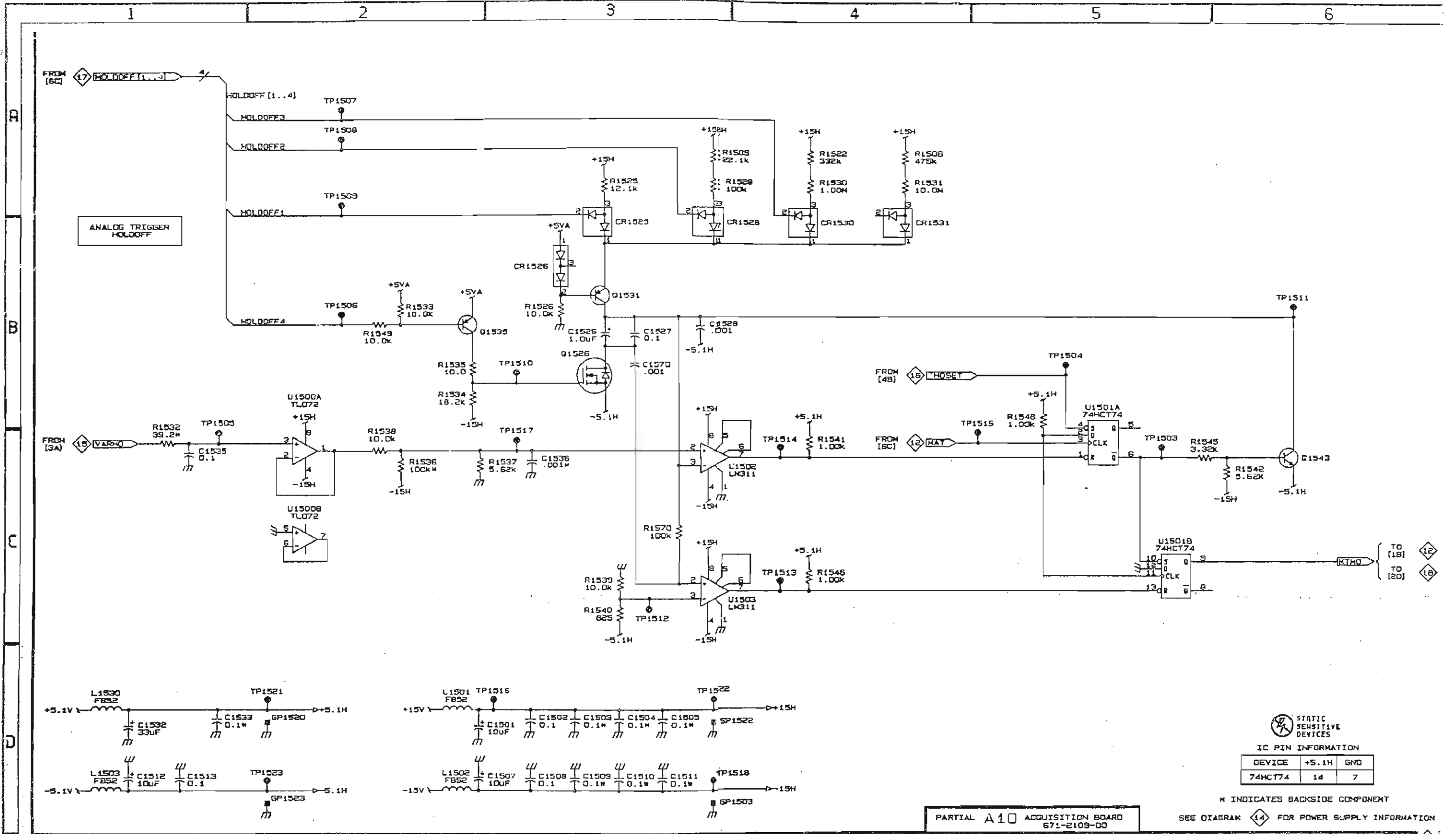
* INDICATES BACKSIDE COMPONENT
SEE DIAGRAM (4) FOR POWER SUPPLY INFORMATION

PARTIAL A10 ACQUISITION BOARD
671-210S-00









STATIC SENSITIVE DEVICES

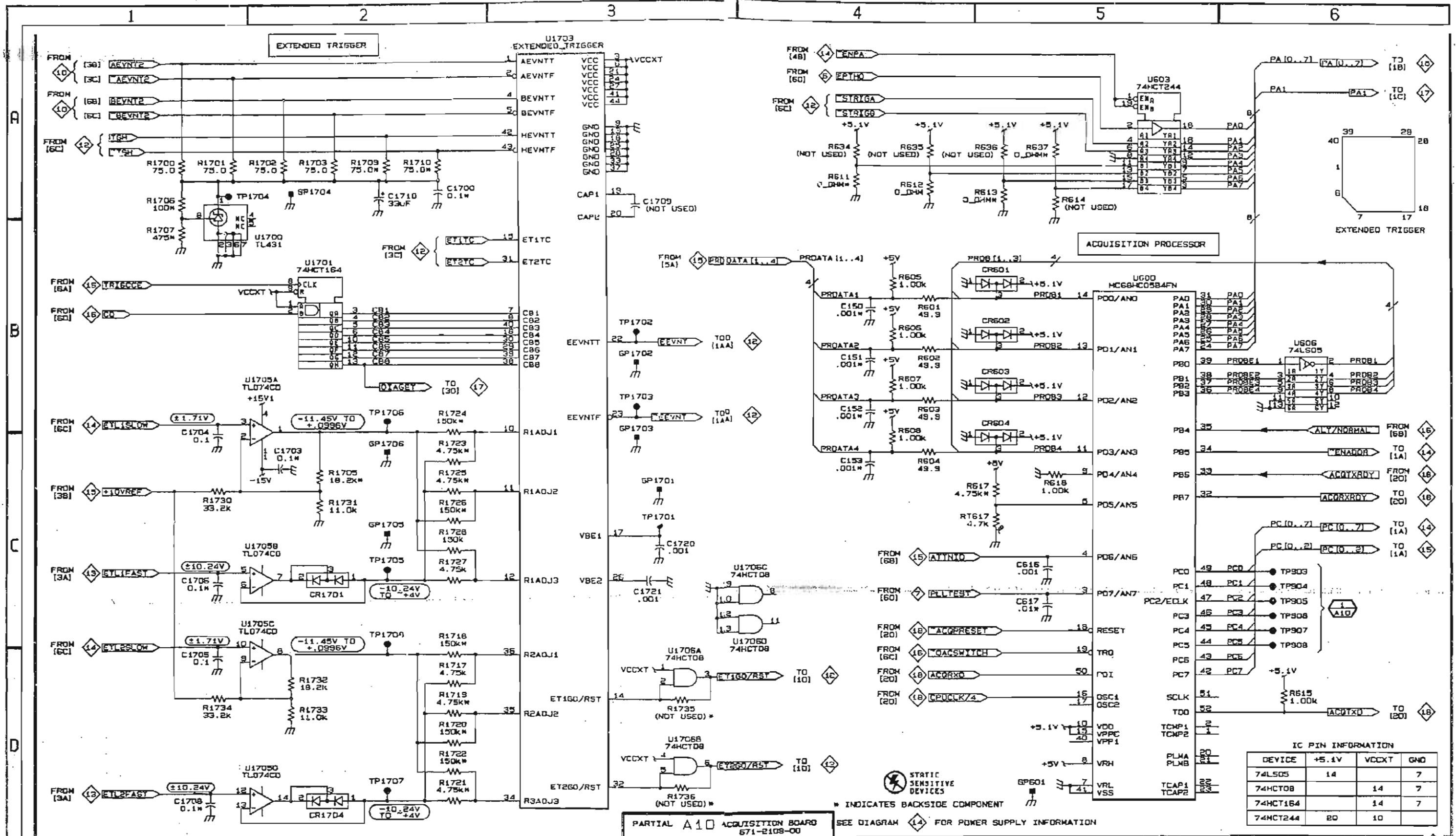
IC PIN INFORMATION

DEVICE	+5.1V	GND
74HCT74	14	7

* INDICATES BACKSIDE COMPONENT

PARTIAL A10 ACQUISITION BOARD
671-2109-00

SEE DIAGRAM 14 FOR POWER SUPPLY INFORMATION

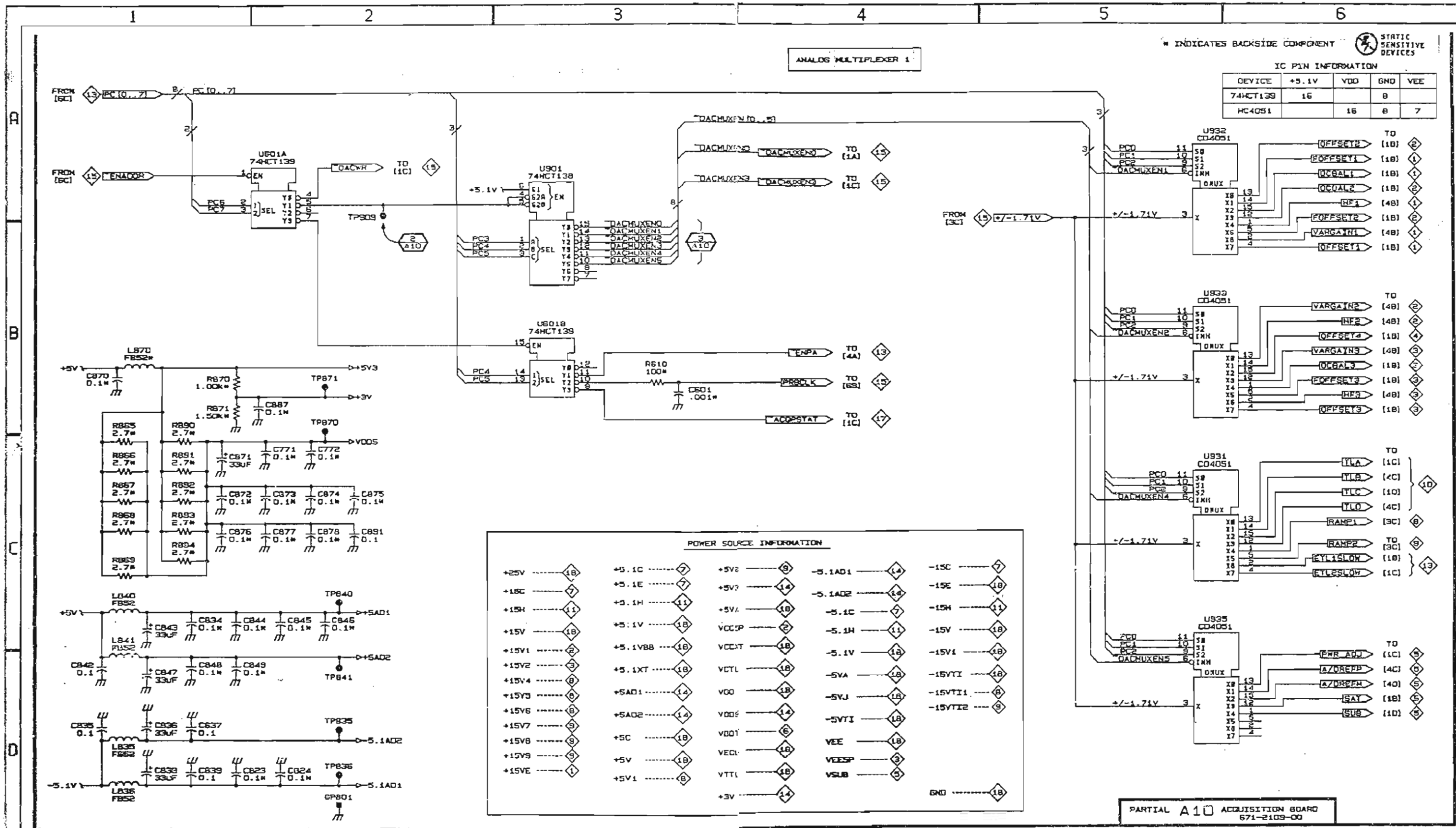


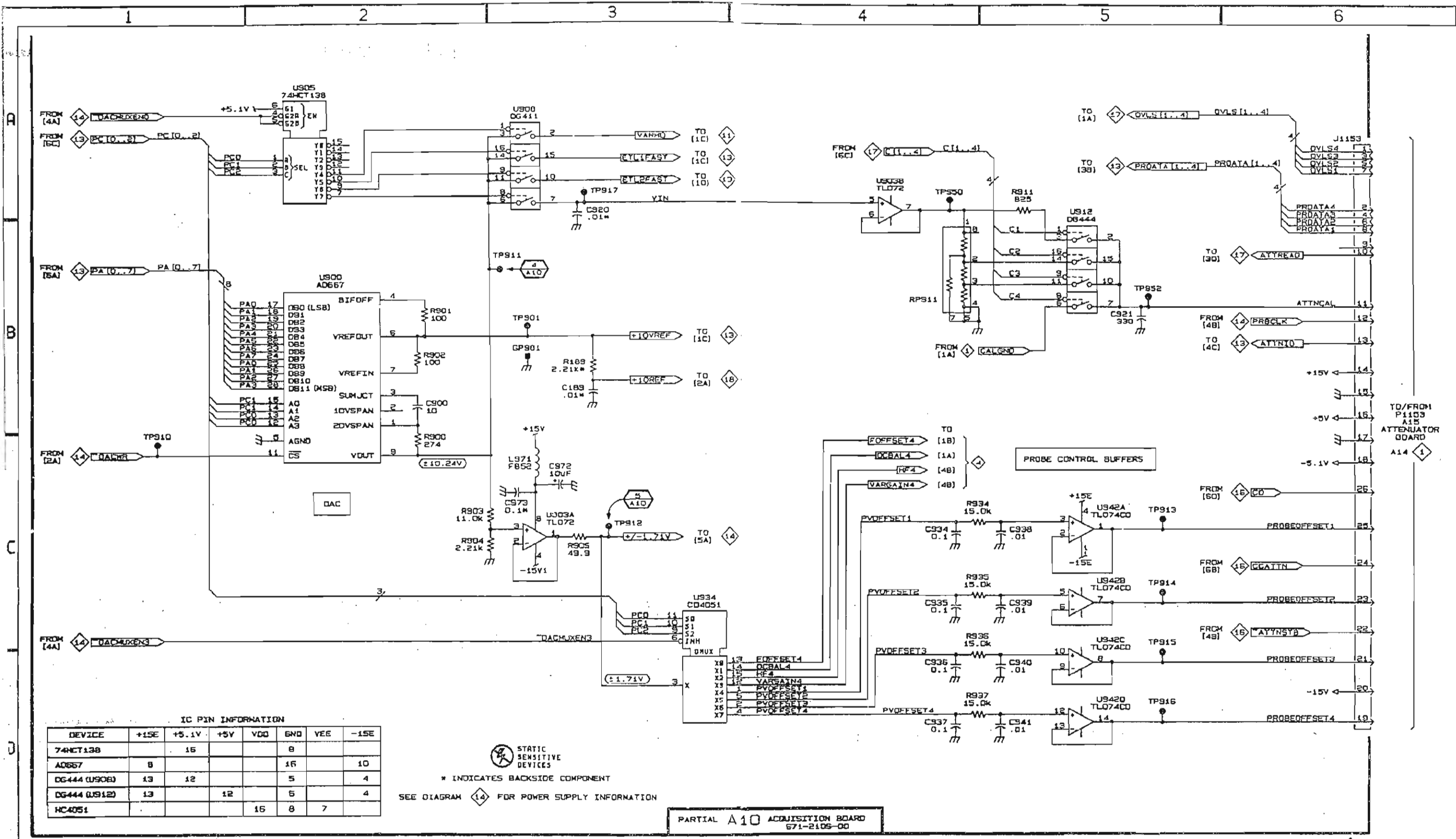
PARTIAL A10 ACQUISITION BOARD 671-2108-00

INDICATES BACKSIDE COMPONENT SEE DIAGRAM 14 FOR POWER SUPPLY INFORMATION

IC PIN INFORMATION

DEVICE	+5.1V	VCCXT	GND
74LS05	14		7
74HCT08		14	7
74HCT164		14	7
74HCT244	8D	10	



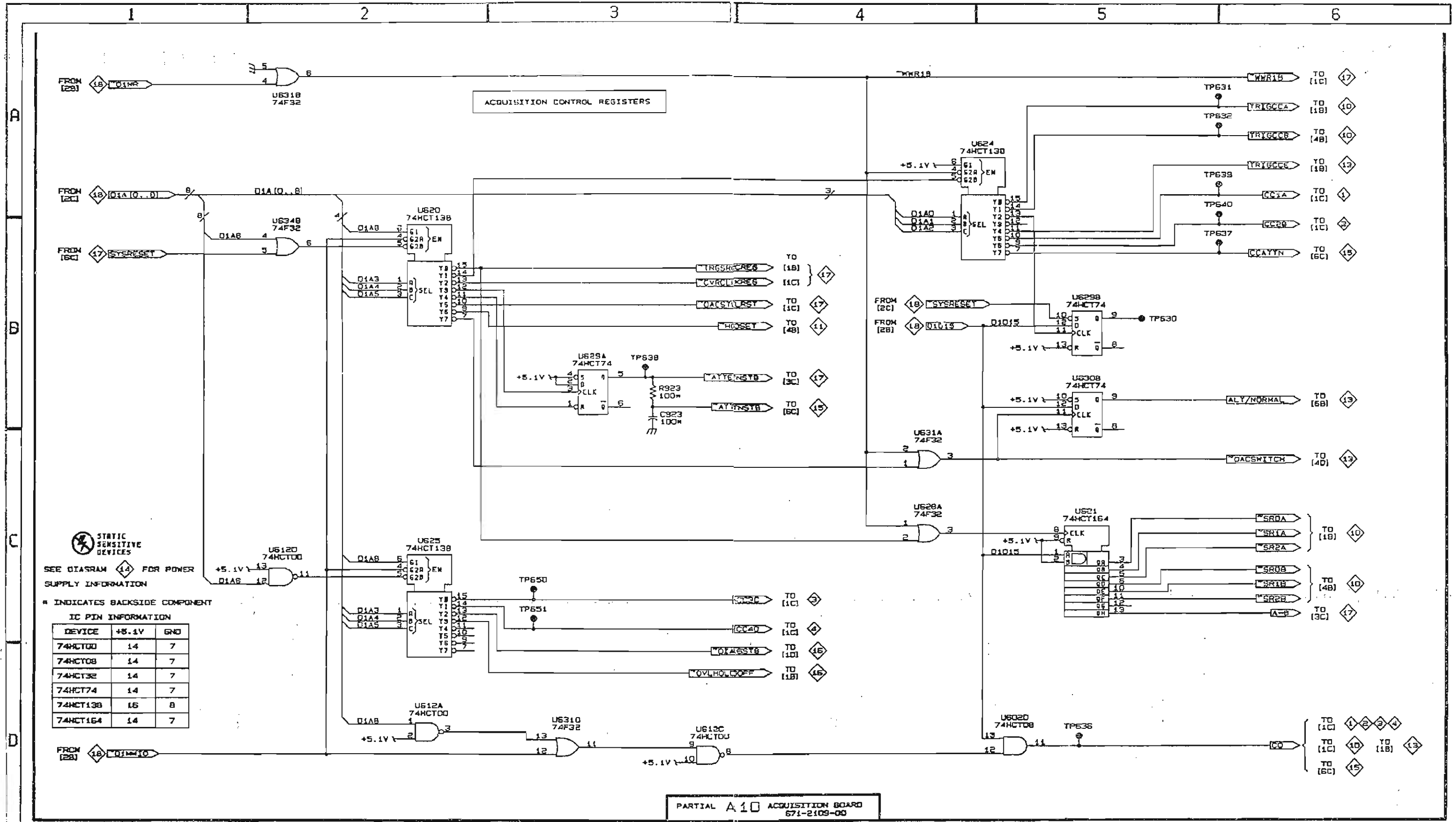


IC PIN INFORMATION

DEVICE	+15E	+5.1V	+5V	VDD	GND	VEE	-15E
74NCT138		15			8		
AD667	8				16		10
DG444 (US08)	13	12			5		4
DG444 (US12)	13		12		5		4
HC4051				15	8	7	

 STATIC SENSITIVE DEVICES
 * INDICATES BACKSIDE COMPONENT
 SEE DIAGRAM  FOR POWER SUPPLY INFORMATION

PARTIAL A10 ACQUISITION BOARD
671-2105-00



ACQUISITION CONTROL REGISTERS

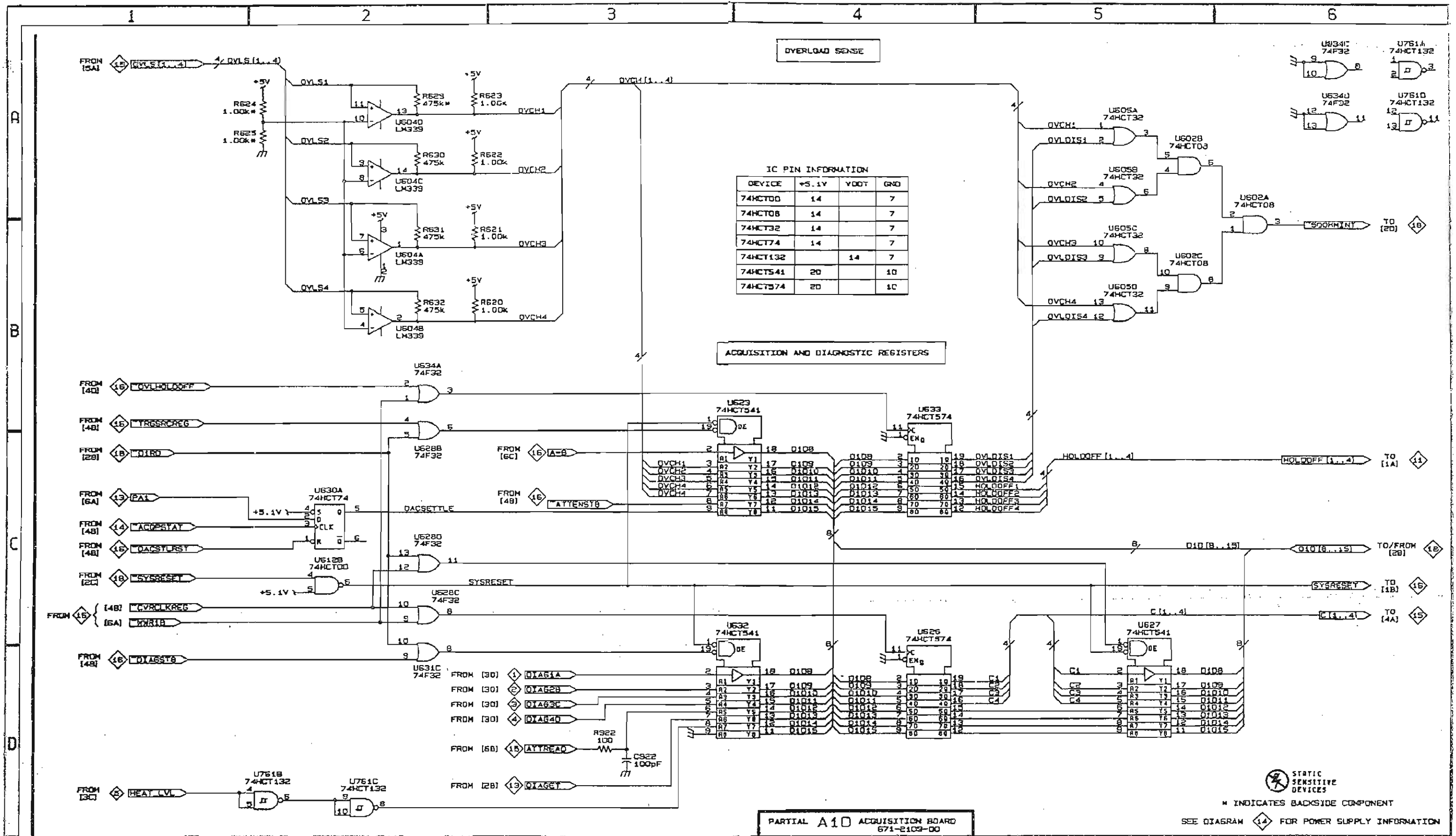
⚡ STATIC SENSITIVE DEVICES
SEE DIAGRAM 14 FOR POWER SUPPLY INFORMATION

* INDICATES BACKSIDE COMPONENT

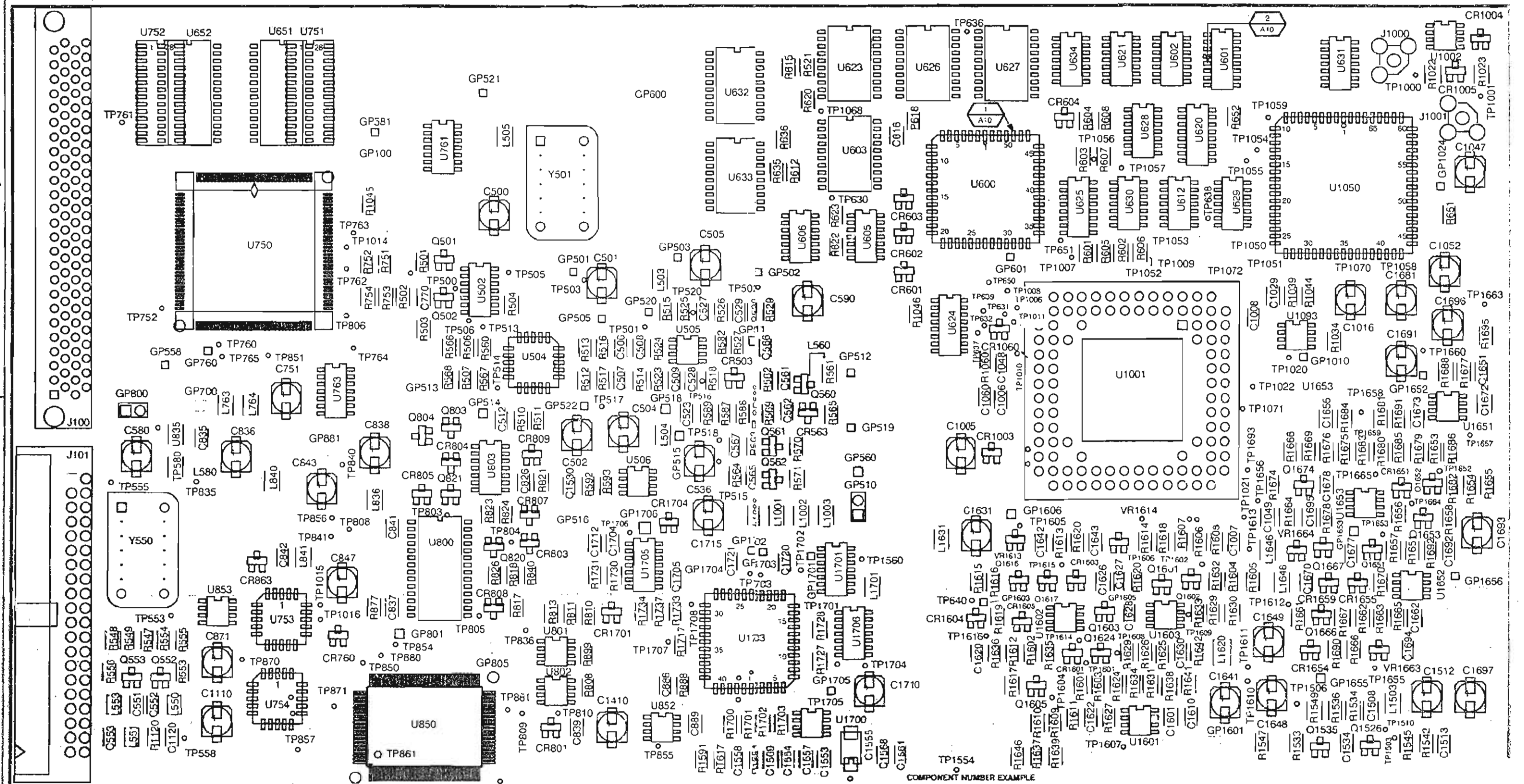
IC PIN INFORMATION

DEVICE	+5.1V	GND
74HCT00	14	7
74HCT08	14	7
74HCT32	14	7
74HCT74	14	7
74HCT138	15	8
74HCT154	14	7

PARTIAL A10 ACQUISITION BOARD 671-2109-00



1 2 3 4



(A)	(B)
(C)	(D)

STATIC SENSITIVE DEVICES

Component Number Example

A23 A2 R1234

Assembly Number Serial Number

Subassembly Number of Lead

Check component numbers from Assembly Number and use of Replaceable Electrical Parts List.

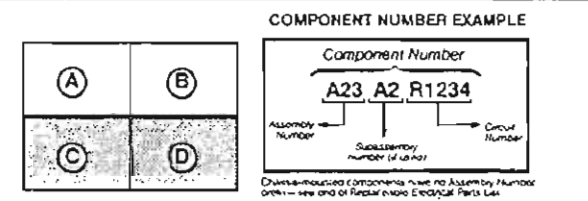
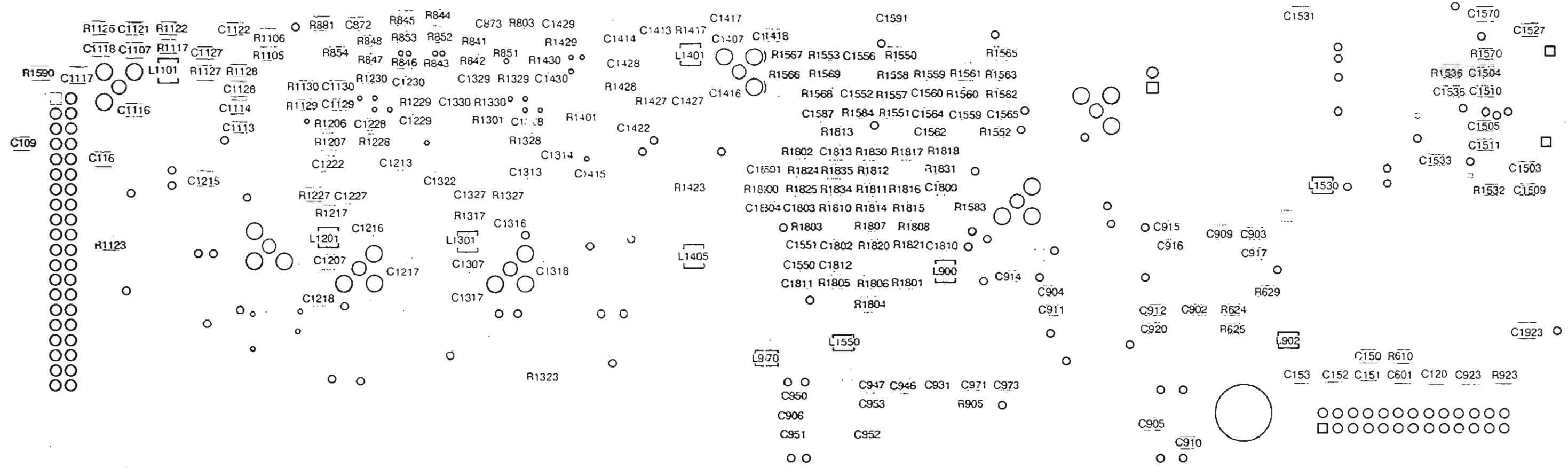
Vol. 2 Figure 9-41: A10 Acquisition Board (Sections A, B Front)

1

2

3

4



STATIC SENSITIVE DEVICES

Vol. 2 Figure 9-44: A10 Acquisition Board (Sections C, D Back)