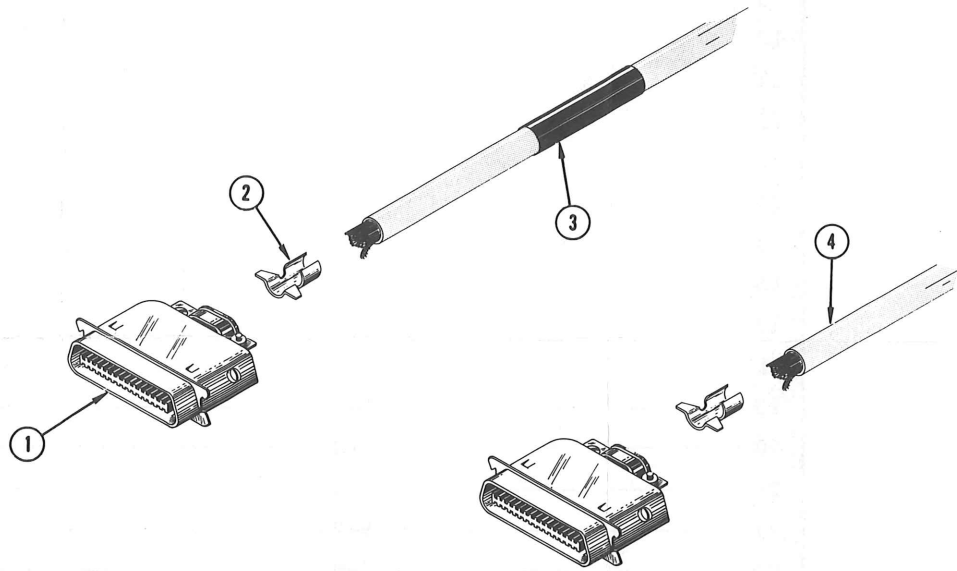
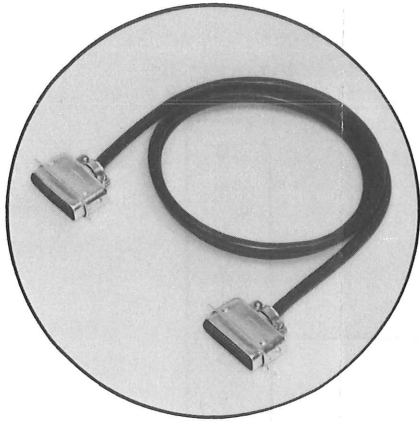


CABLE, INTERCONNECTING (Part No. 012-0134-00)



REF. NO.	PART NO.	SERIAL/MODEL NO.		QTY.	DESCRIPTION
		EFF.	DISC.		
1	131-0293-03			2	CONNECTOR, 36 pin, male, keyed
2	343-0087-00			2	CLAMP, cable
3	334-1265-00			1	SLEEVE, marker, cable
4	175-0499-00			ft	CABLE, special purpose, electrical, 5 feet
	334-1276-00			1	LABEL SET, 3 per (not shown)

DATA SHEET

NO. 062-0950-00

DATE JUNE 1968

COPYRIGHT © 1968
 TEKTRONIX INC.
 ALL RIGHTS RESERVED

