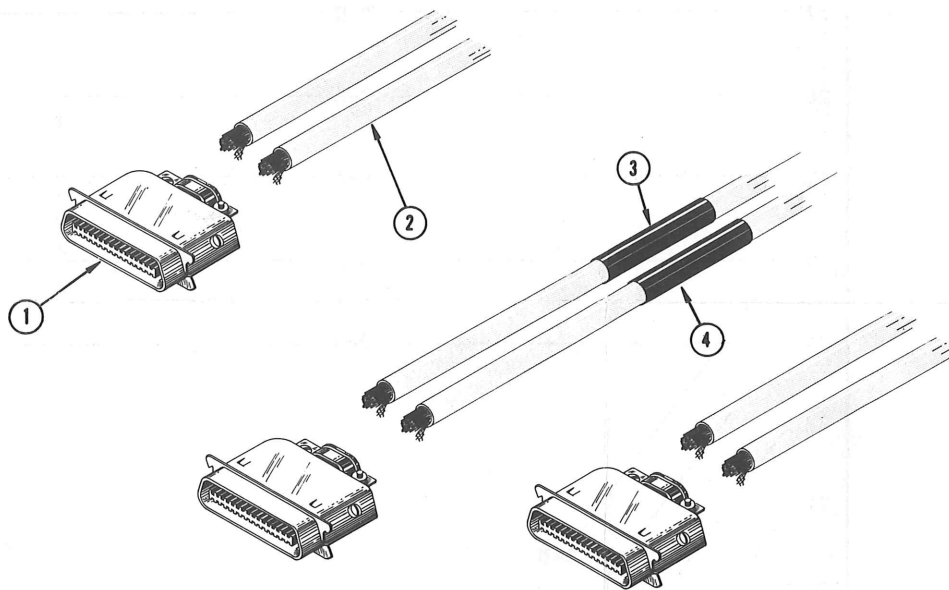
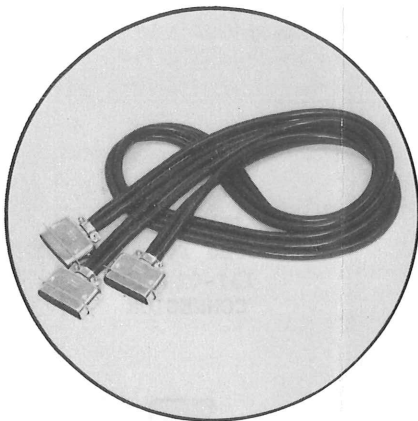


**CABLE, INTERCONNECTING (triangle)  
(Part No. 012-0135-00)**



REF. NO.	PART NO.	SERIAL/MODEL NO.		QTY.	DESCRIPTION
		EFF.	DISC.		
1	131-0293-03			3	CONNECTOR, 36 pin, male, keyed
2	175-0499-00			ft	CABLE, special purpose, electrical (5 feet each, 3 per)
3	334-1266-00			1	SLEEVE, marker, blue
4	334-1269-00			1	SLEEVE, marker, yellow
	334-1276-00			1	LABEL SET, 3 per (not shown)

**DATA SHEET**

NO. 062-0951-00

DATE JUNE 1968

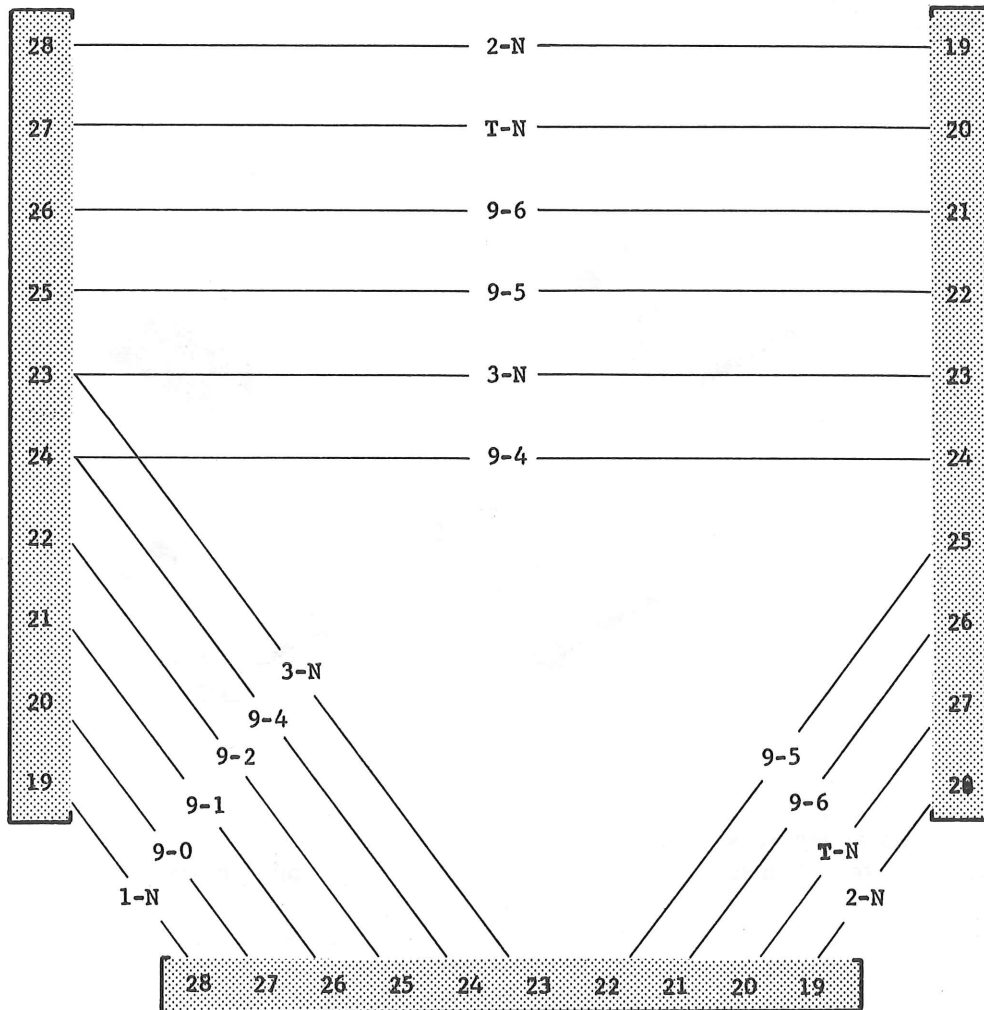
COPYRIGHT © 1968  
 TEKTRONIX INC.  
 ALL RIGHTS RESERVED

# CABLE, INTERCONNECTING (triangle) (Part No. 012-0135-00)

## WIRING DIAGRAM

J112 ONLY  
Type 240  
131-0293-03  
CONNECTOR

J112 ONLY  
Second Type 250  
131-0293-03  
CONNECTOR



J112 ONLY  
First Type 250  
131-0293-03  
CONNECTOR

SHIELD GND TO COVER