



COMPONENT NEWS

PREPRODUCTION ENGINEERING

NOT TO BE DUPLICATED OR CIRCULATED OUTSIDE OF TEKTRONIX, INC.

SEND INFORMATION, COMMENTS OR REQUESTS FOR COPIES TO DEL. STA. 50-440, OR CALL EXT. 272.

COMPILED BY PRODUCT RELIABILITY INFORMATION NO. 92 DATE 11-5-68

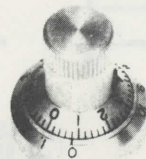
BILATERAL CLIPPERS

I have for evaluation several samples of what might be termed a "bilateral clipper." It is made of two 1N4533 diodes mounted back-to-back in a small (3/16 x 3/16 x 3/32) epoxy case with both leads brought out of one end for upright mounting on circuit boards. The 1N4533 is identical to our 152-0141-02 (1N4152) except for case style. Price in 1k quantities is less than 50 cents (for the dual unit) compared to 20 cents for two 152-0141-02. This device should be considered in applications where space is at a premium and the added cost can be justified. I would like to hear from anyone having a requirement for such a device. Call Ext 7263.

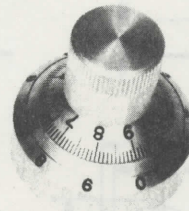
-Jim Kassebaum

TURNS-COUNTING DIAL

A new turns-counting dial is now available which should be helpful on crowded front panels. This dial is only 3/4 inch in diameter and looks like the *KILO* dials we are currently using (331-0139-00 for example). These dials should also have about the same reliable performance and price and delivery as the larger dial. Special dial markings are possible.



New dial



For further information or samples contact me at Ext 419.

-Bill Mackie

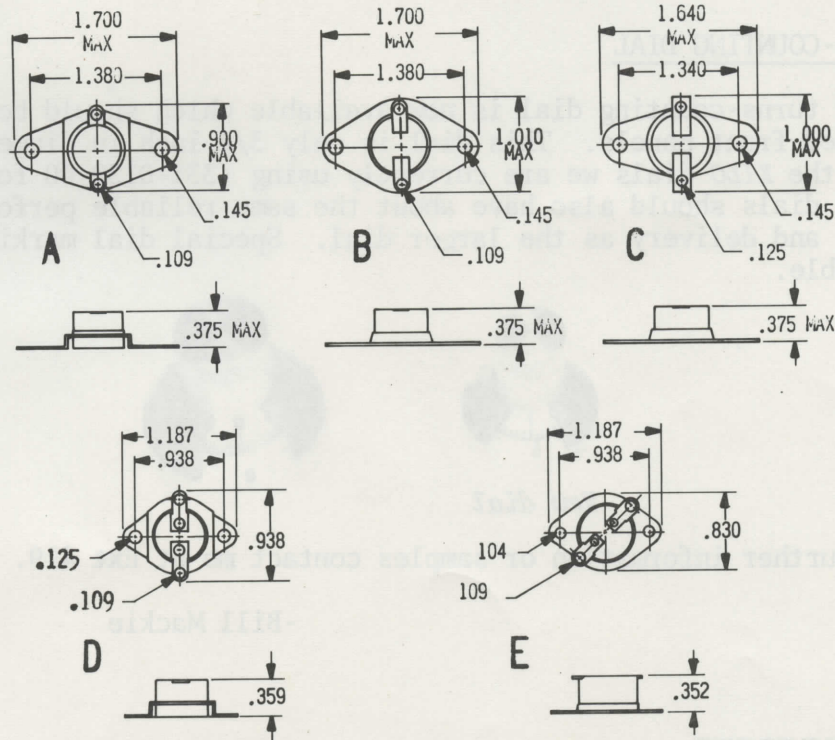
THERMOSWITCHES

Thermoswitches with 1 3/8" mounting hole dimensions are available to cover a range of opening temperatures from 118°F to 181°F.

There are three thermoswitches in a 15/16" mounting hole dimension that cover a low range (100°F - 110°F) and a high range (185°F - 195°F). Three other thermoswitches with 15/16" hole mounting dimensions duplicate some of the ranges covered by those with 1 3/8" hole mounting. On the reverse side of this issue is a list of thermoswitches available as stock items.

Following is a list of thermostats available as stock items:

°F OPEN RANGE	°F CLOSE RANGE	PACKAGE	HOLE MOUNTING DIMENSION	TEKTRONIX P/N
118 - 128	103 - 113	A , B	1 3/8"	260-0246-00
123 - 133	105 - 119	A,B,C	1 3/8"	260-0070-00
128 - 138	109 - 121	A,B,C	1 3/8"	260-0208-00
132 - 142	117 - 127	A,B,C	1 3/8"	260-0120-00
135 - 145	119 - 126	A , B	1 3/8"	260-0618-00
145 - 155	130 - 140	A , B	1 3/8"	260-0336-00
150 - 160	112 - 128	A , B	1 3/8"	260-0071-00
155 - 165	118 - 133	A , B	1 3/8"	260-0157-00
160 - 170	115 - 135	A , B	1 3/8"	260-0227-00
169 - 181	148 - 162	A,B,C	1 3/8"	260-0413-00
181 - 193	155 - 172	A	1 3/8"	260-0551-00
100 - 110	84 - 96	E	15/16"	260-0678-00
153 - 163	118 - 138	E	15/16"	260-0677-00
162 - 172	126 - 136	D , E	15/16"	260-0638-00
178 - 187	144 - 160	E	15/16"	260-0724-00
185 - 197	154 - 168	D , E	15/16"	260-0879-00
195 - 213	160 - 176	E	15/16"	260-0907-00



All thermostats carry a minimum of 8.33 A at 240 VAC. In some packages the contact terminals may be rotated in relation to the mounting bracket.

If you have any questions, call Ext 417.

-Vern McAdams