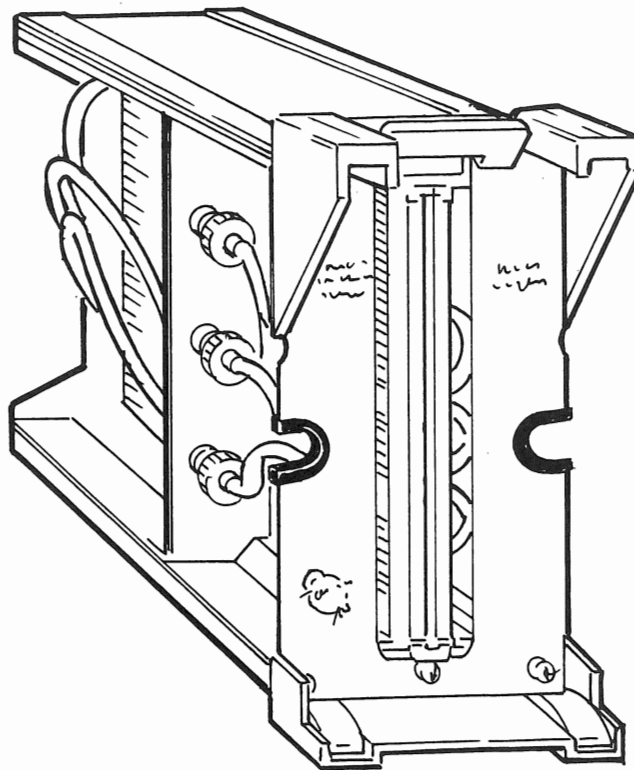


CALIBRATION FIXTURE PLUG-IN EXTENDER

067-0589-00



The 067-0589-00 Extender is used for calibrating or troubleshooting 7-Series Plug-In Units operating in a 7000-Series Oscilloscope. The Extender allows the plug-in unit to be operated out of the oscilloscope plug-in compartment, thus providing easy access to components and adjustments.

Coaxial cables with in-line BNC-type connectors are used to couple the display and trigger signals through the Extender. By disconnecting the connectors, the signal output of the plug-in unit can be monitored on a separate measurement system such as a sampling oscilloscope. In addition, the BNC connectors provide a convenient means of applying external signals directly to the input of the oscilloscope amplifier.

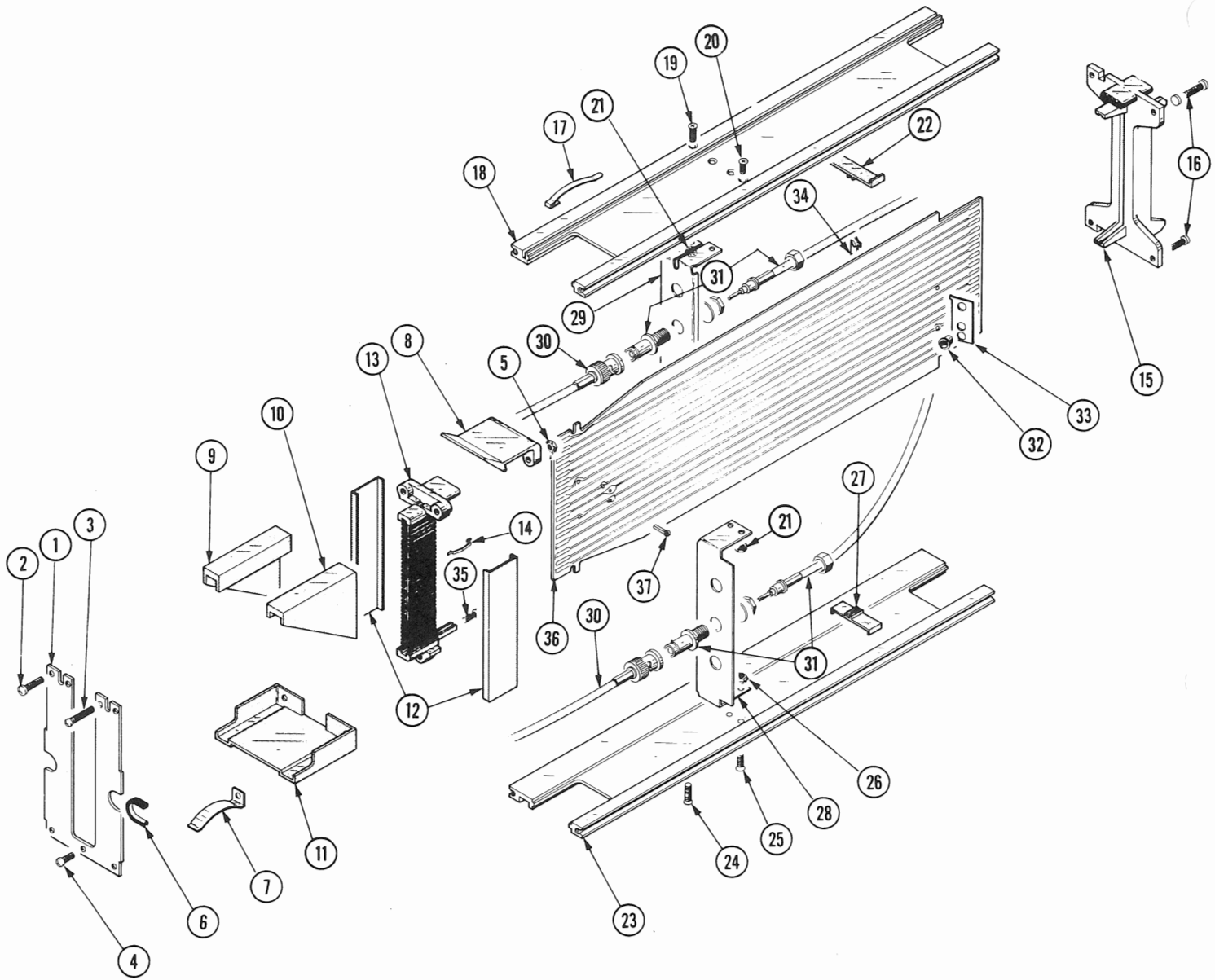


Fig. & Index No.

Tektronix Part No.

Serial/Model No. Eff Dscont

Qty

1 2 3 4 5

Name & Description

Mfr Code

Mfr Part Number

1-	067-0589-00			1					FIXTURE,CAL:	80009	067-0589-00
-1	333-1231-00			1					PANEL,FRONT:067-0589-00 PUNCHED & PTD ***** (ATTACHING PARTS) *****	80009	333-1231-00
-2	213-0192-00	B010100	B025424	4					.SCR,TPG,THD FOR:6-32 X 0.50 INCH,PNH STL	87308	OBD
	213-0793-00	B025425		4					.SCREW,TPG,TF:6-32 X 0.4375,TAPTITE,FIL	93907	OBD
-3	211-0017-00			2					.SCREW,MACHINE:4-40 X 0.375 INCH,PNH STL	83385	OBD
-4	213-0088-00	B010100	B025099	1					.SCR,TPG,THD CTG:4-24 X 0.25 INCH,PNH STL	83385	OBD
	213-0119-00	B025100		1					.SCR,TPG,THD FOR:4-24 X 0.375 INCH,PNH STL	83385	OBD
-5	210-0586-00			2					.NUT,PL,ASSEM WA:4-40 X 0.25,STL ***** (END ATTACHING PARTS) *****	83385	OBD

Fig. & Index No.	Tektronix Part No.	Serial/Model No.		Qty	1 2 3 4 5					Name & Description	Mfr Code	Mfr Part Number	
		Eff	Dscont										
-6	348-0115-00			2						.GROMMET,PLASTIC:U-SHP,0.548 X 0.462 INCH	80009	348-0115-00	
-7	131-0894-00			2						.CONTACT,ELEC:	80009	131-0894-00	
-8	105-0127-00			1						.EXTENDER,LATCH:	80009	105-0127-00	
-9	351-0248-00			1						.GUIDE,EXTENDER:UPPER LEFT,SIL GRAY DELRIN	80009	351-0248-00	
-10	351-0247-00			1						.GUIDE,EXTENDER:UPPER RIGHT,SIL GRAY DELRI	80009	351-0247-00	
-11	351-0237-00			1						.GUIDE,EXTENSION:LOWER,SIL GRAY DELRIN	80009	351-0237-00	
-12	200-0950-00			2						.COVER,ELEC CONN:PLASTIC	80009	200-0950-00	
	131-0767-01			1						.CONNECTOR,RCPT,;	80009	131-0767-01	
-13	204-0365-01			1						.CONN BODY,RCPT:PLUG-IN CIRCUIT BOARD	80009	204-0365-01	
-14	131-0726-04			35						.CONTACT,ELEC:	80009	131-0726-04	
-15	386-1402-00			1						.PANEL,REAR:	80009	386-1402-00	
										***** (ATTACHING PARTS) *****			
-16	213-0192-00	B010100	B025424	4						.SCR,TPG,THD FOR:6-32 X 0.50 INCH,PNH STL	87308	OBD	
	213-0793-00	B025425		4						.SCREW,TPG,TF:6-32 X 0.4375,TAPTITE,FIL	93907	OBD	
-17	214-1061-00			1						.SPRING,GROUND:FLAT	80009	214-1061-00	
-18	426-0544-00			1						.FR SECT,PLUG-IN:TOP	80009	426-0544-00	
										***** (ATTACHING PARTS) *****			
-19	211-0114-00			1						.SCREW,MACHINE:4-40 X 0.438 INCH,FLH STL	83385	OBD	
-20	211-0038-00			3						.SCREW,MACHINE:4-40 X 0.312,FLH,100 DEG	83385	OBD	
-21	210-0586-00			4						.NUT,PL,ASSEM WA:4-40 X 0.25,STL	83385	OBD	
										***** (END ATTACHING PARTS) *****			
-22	344-0210-00			2						.CLIP,SPR TNSN:	80009	344-0210-00	
-23	426-0543-00			1						.FR SECT,PLUG-IN:BOTTOM	80009	426-0543-00	
										***** (ATTACHING PARTS) *****			
-24	211-0114-00			1						.SCREW,MACHINE:4-40 X 0.438 INCH,FLH STL	83385	OBD	
-25	211-0038-00			3						.SCREW,MACHINE:4-40 X 0.312,FLH,100 DEG	83385	OBD	
-26	210-0586-00			4						.NUT,PL,ASSEM WA:4-40 X 0.25,STL	83385	OBD	
										***** (END ATTACHING PARTS) *****			
-27	344-0211-00			2						.CLIP,SPR TNSN:BOTTOM,PLASTIC	80009	344-0211-00	
-28	407-0654-00			1						.BRACKET,ANGLE:RIGHT,ALUMINUM	80009	407-0654-00	
-29	407-0655-00			1						.BRACKET,ANGLE:LEFT,ALUMINUM	80009	407-0655-00	
-30	175-1102-00			6						.CABLE ASSY,RF:50 OHM COAX,4.75 L	80009	175-1102-00	
-31	175-1103-00			6						.CABLE ASSY,RF:50 OHM COAX,10.12 L	80009	175-1103-00	
-32	210-0637-00			12						.EYELET,METALLIC:0.163 OD X 0 0.145 L,BRS	80009	210-0637-00	
-33	352-0231-00			2						.HOLDER,CABLE:COAX,RIGHT,CU-BE	80009	352-0231-00	
-34	352-0232-00			2						.HOLDER,CABLE:COAX,LEFT,CU-BE			
										***** (ATTACHING PARTS FOR ALL CLIPS) *****			
-35	211-0098-00			4						.SCREW,CAP ::4-40 X 0.375,BTN HD,STL	T0428	OBD	
										***** (END ATTACHING PARTS) *****			

CROSS INDEX—MFR. CODE NUMBER TO MANUFACTURER

Mfr. Code	Manufacturer	Address	City, State, Zip
80009	TEKTRONIX, INC.	P O BOX 500	BEAVERTON, OR 97077
83385	CENTRAL SCREW CO.	2530 CRESCENT DR.	BROADVIEW, IL 60153
87308	N. L. INDUSTRIES, INC., SOUTHERN SCREW DIV.	P. O. BOX 1360	STATESVILLE, NC 28677
93907	TEXTRON INC. CAMCAR DIV	600 18TH AVE	ROCKFORD, IL 61101