

ADAPTER, CAMERA TO OSCILLOSCOPE (Part No. 016-0263-00)

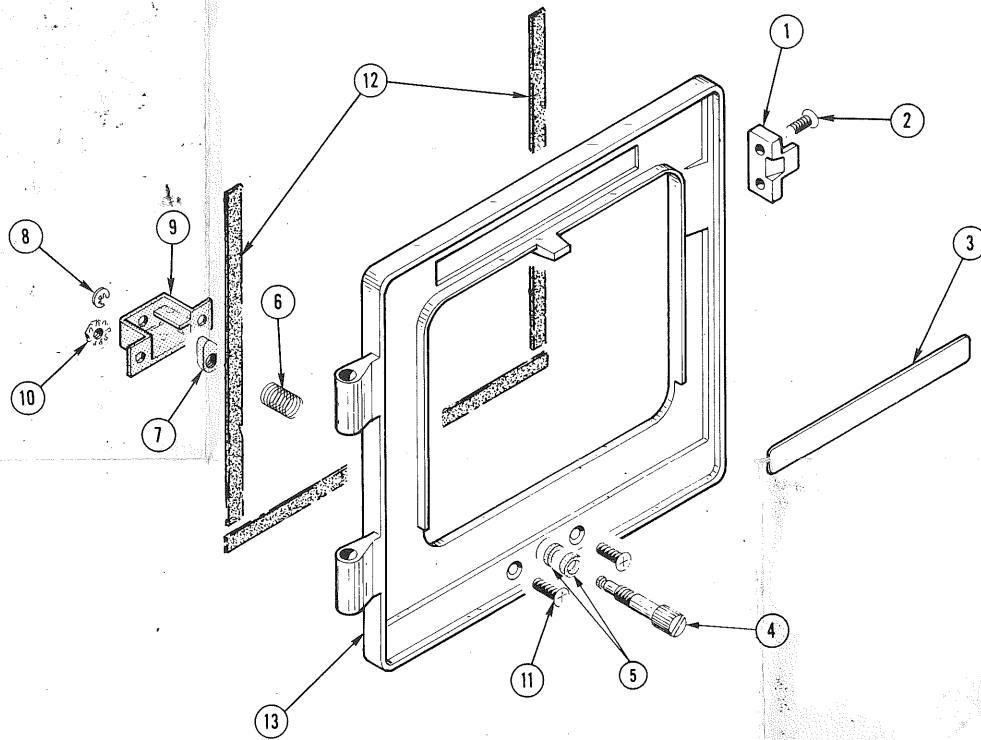


Fig. & Index No.	Tektronix Part No.	Serial/Model No. Eff	Disc	Qty	Q					Description
					1	2	3	4	5	
1	016-0263-00			1						ASSEMBLY, adapter, camera to oscilloscope.
	- - - - -			-						assembly includes:
	214-0166-00			1						LATCH, strike
2	- - - - -			-						mounting hardware: (not included w/latch)
	211-0009-00			2						SCREW, 4-40 x 1/4 inch, OHS
3	334-1429-00			1						PLATE, identification
4	366-1159-00			1						LATCH, knob-shaft
	- - - - -			-						mounting hardware:
	- - - - -			-						(not included w/latch)
5	210-0910-00			2						WASHER, plastic
6	214-1301-00			1						SPRING, helical
7	105-0145-00			1						CATCH, camera latch
8	354-0163-00			1						RETAINER, ring

DATA SHEET

NO. 062-1152-00

DATE JULY 1974 (R)

COPYRIGHT © 1974
 TEKTRONIX INC.
 ALL RIGHTS RESERVED

Fig. & Index No.	Tektronix Part No.	Serial/Model No.		Q † y	Description
		Eff	Disc		
9	407-0695-00			1	BRACKET, latch, plastic
	- - - - -			-	mounting hardware: (not included w/bracket)
10	210-0586-00			2	NUT, keps, 4-40 x 1/4 inch
11	211-0038-00			2	SCREW, 4-40 x 5/16 inch, 100° csk, FHS
12	122-0764-00			ft	GASKET, plastic foam, 1.5 feet
13	103-0112-01			1	ADAPTER, camera