



product modification

050-0844-03

M23817, M41176
M45084, M55149

MAIN CIRCUIT BOARD REPLACEMENT

For TEKTRONIX® AM502 Differential Amplifiers

Serial Numbers B010100 - B052349

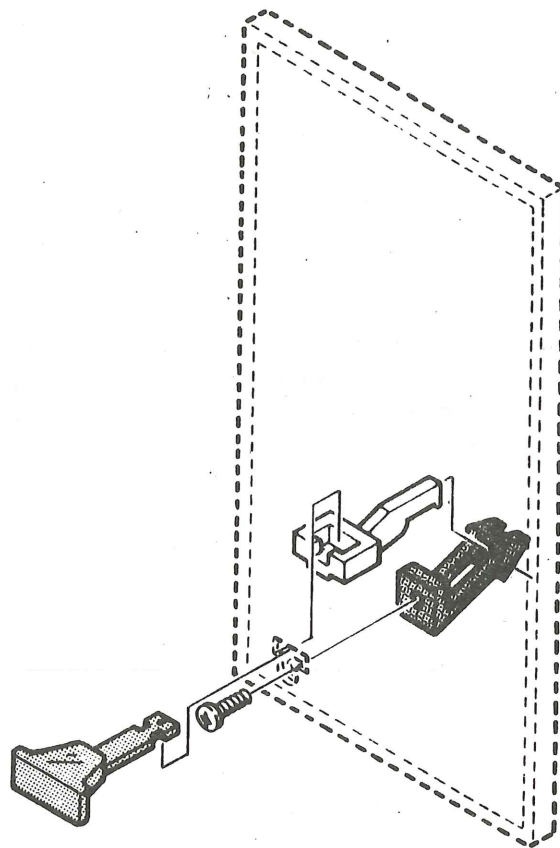
Main circuit board, pn 670-2733-05, replaces Main circuit board, pn 670-2733-04, which is no longer available. Installation of the new Main circuit board necessitates the replacement of DS900.

NOTE

If the serial number of your AM502 Differential Amplifier is higher than those listed above, or if this Parts Replacement Kit or 050-0780-XX has been installed, disregard the instructions and use pn 670-2733-05 as a direct replacement.

KIT PARTS LIST:

Ckt. Number	Quantity	Part Number	Description
	1 ea	105-0718-01	Latch, release
	1 ea	105-0719-00	Latch, Retaining, Plug-in
DS900	1 ea	150-0109-00	Lamp, incandescent 18V
	1 ea	200-0935-00	Base, lampholder
	1 ea	366-1690-00	Knob, Plug-in Latch
A1	1 ea	670-2733-05	Circuit board, Main
	1 ea	-----	Label, 050-0844-XX



PLUG-IN LATCH ASSEMBLY DETAIL

INSTRUCTIONS:

WARNING

The following instructions are for use by qualified service personnel only. To avoid personal injury, do not perform any of the following procedure unless you are qualified to do so.

- () 1. Remove the left and right electrical shields.
- () 2. Unsolder the two wires from the lamp holder, and remove the bulb and lamp holder base from the lamp holder.
- () 3. Slide the bulb wires through the rivets in lamp holder base (from the kit) and install the bulb and the lamp holder base in the lamp holder in the panel.
- () 4. Solder the two wires removed in step 2 to the rivets and cut off the bulb wires close to the rivet.
- () 5. Using a pair of diagonal cutters, cut the latch knob off of the plug-in retainer.
- () 6. Refer to the Maintenance section of your Instruction Manual and perform steps as necessary to remove the front panel.
- () 7. Remove the plug-in retainer latch mounting screw, and the old Plug-in retainer latch.
- () 8. Replace the Main circuit board with the new Main circuit board from the kit. The new circuit board connects the same as the old circuit board.
- () 9. Install the new plug-in retainer latch using the screw removed in step 4.

- () 10. Reinstall the front panel by performing the steps shown in the Maintenance section of your Instruction Manual.
- () 11. Refer to the drawing and install the latch release and the Plug-in latch knob.
- () 12. For future reference, correct the Electrical Parts List in your Service Manual as follows:
 - Q152A & B 151-0354-00 Transistor, Si, PNP, Dual
 - Q164A & B 151-0354-00 Transistor, Si, PNP, Dual
- () 13. For future reference, correct the Mechanical Parts List in your Service Manual.
- () 14. Remove the protective backing from the identification marker and place the marker on a clean area of the frame rail near the serial number tag.

CM: cm

PRODUCT MODIFICATION KIT SUGGESTION/CORRECTION FORM

DATE _____

KIT NUMBER _____ STEP/PAGE _____

FIGURE NUMBER _____ PUBLICATION DATE _____

DISCREPANCY _____

SUGGESTED CORRECTION/COMMENTS _____

SUGGESTED BY: NAME/ORGANIZATION _____

____ REPLY REQUESTED

(PLEASE TYPE OR PRINT LEGIBLY)

RETURN TO LOCAL FIELD OFFICE/SERVICE CENTER

FIELD OFFICE/SERVICE CENTER/DEL. STA. _____

SERVICE CENTER: RETURN TO FIELD MODS C1-956

REPLY

____ WILL MAKE CHANGE IMMEDIATELY

____ WILL MAKE CHANGE AT NEXT PRINTING

____ OTHER _____

SIGNED _____ DATE _____

