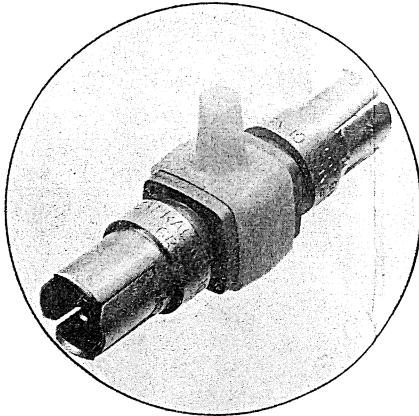


VP-1 VOLTAGE PICKOFF (Part No. 017-0073-01)



The Tektronix VP-1 is a special 50 Ω coaxial tee for use with P6034 and P6035 miniature passive probes. The in-line portion of the tee is fitted with GR Type 874 connectors

and the tee branch is a receptacle for the probe tip.

The VP-1 may be used with either probe for signal pickoff from a 50 Ω system. The signal picked off is then available for display on an oscilloscope, for triggering an oscilloscope, or for other purposes.

When the P6034 probe is used with the VP-1 in a 50 Ω system, the signal voltage across the 50 Ω system receiving-end termination will be about 95% of the voltage obtained with the probe disconnected. With the P6035 probe, the voltage across the 50 Ω system receiving-end termination will be about 99.5% of the voltage obtained with the probe disconnected. The percentages decrease at high frequencies where the probe input resistance decreases. See the input characteristics graph in the probe manual.

Since the input and output ends of the VP-1 are in parallel (as observed from the pickoff point), the system offers a 25 Ω source impedance to the probe. Due to the low impedance, the VP-1 can be used when adjusting the low frequency compensation of either the P6034 or P6035 probe.

The VP-1 compensates for the small parallel input capacitance of either probe so minimum reflection is introduced into the 50 Ω system. If the probe is disconnected from the VP-1, the VP-1 will act as a small inductor in series with the 50 Ω system. For this reason, it is suggested that the VP-1 be placed in the system only when a terminated probe is connected to it.

DATA SHEET

NO. 062-1007-00

DATE JUNE 1969(R)



COPYRIGHT © 1968
TEKTRONIX INC.
ALL RIGHTS RESERVED

017-0073-01

VP-1 VOLTAGE PICKOFF (Part No. 017-0073-01)

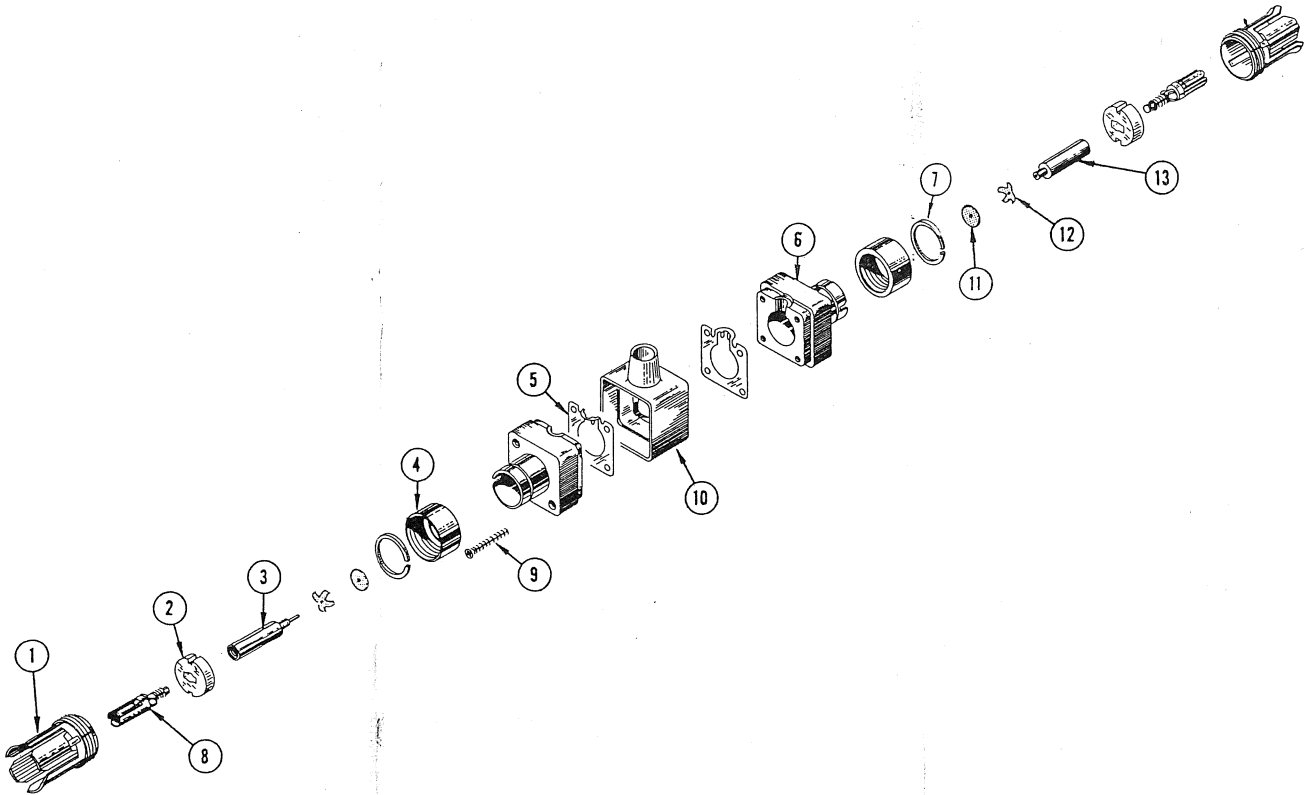


Fig. & Index No.	Tektronix Part No.	Serial/Model No.		Q † y	1	2	3	4	5	Description
		Eff	Disc							
1	132-0002-00									2 SLEEVE CONDUCTOR, outer
2	132-0028-00									2 INSULATOR, plastic
3	166-0315-00									1 SLEEVE, connector, 1.052 inches long
4	132-0001-00									2 NUT, coupling
5	344-0096-00									2 CLIP, grounding
	131-0600-00	6852	6851							2 CONTACT, electrical, spring
6	204-0170-03									2 BODY
7	132-0007-00									2 SNAP RING
8	132-0029-00									2 INNER CONDUCTOR
9	211-0076-00									4 SCREW, 2-56 x 5/8 inch, OHS
10	354-0198-01									1 RING, molded, plastic
11	214-0326-00									2 CONTACT, spring, 0.260 inch diameter
12	214-0327-00									2 CONTACT, disc, 0.300 inch diameter
13	166-0314-00									1 SLEEVE, connector, 0.865 inch long, female