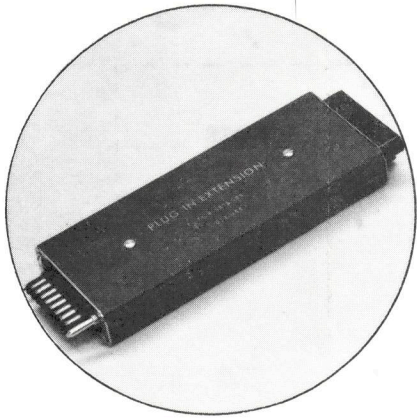
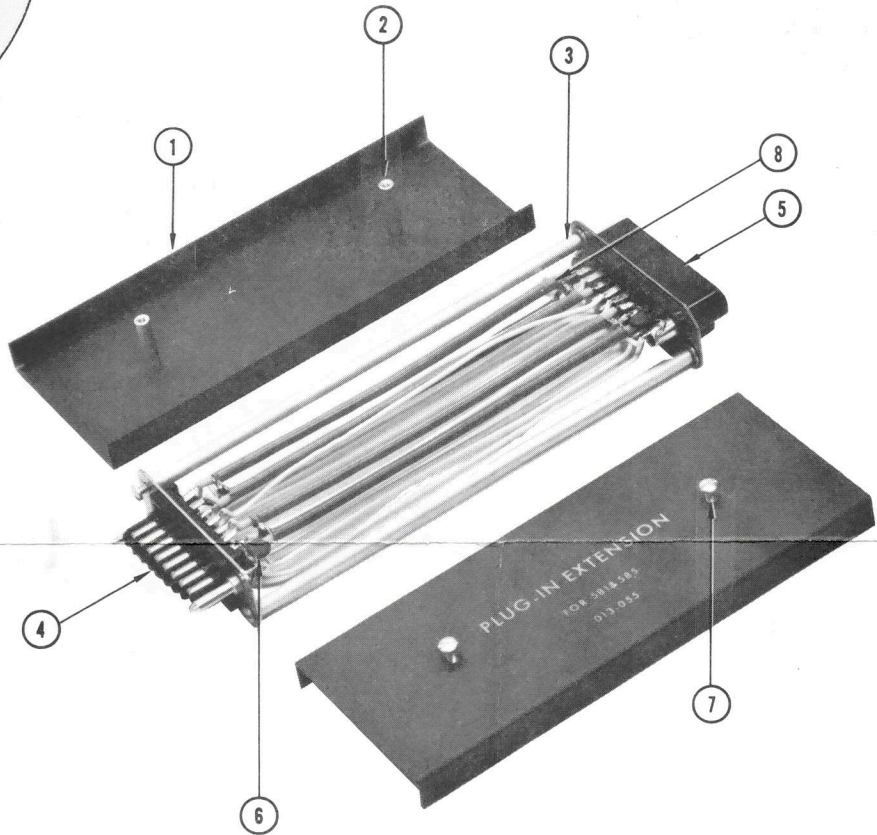


PLUG-IN EXTENSION (Part No. 013-0055-00)



EARLY



REF. NO.	PART NO.	SERIAL/MODEL NO.		QTY.	DESCRIPTION
		EFF.	DISC.		
1	200-0389-00			2	COVER, plug-in extension
2	166-0069-00			2	TUBE, spacer
3	166-0070-00			2	TUBE, spacer, 6 in. lg.
4	131-0017-00			1	CONNECTOR, chassis mt., 16 contact, male
5	131-0018-00			1	CONNECTOR, chassis mt., 16 contact, female
6	283-0000-00			2	CAPACITOR, .001 μ f, disc type, 500 v
7	211-0008-00			8	SCREW, 4-40 x 1/4 PHS phillips
8	175-0055-00			5	CABLE, coax. 93 Ω w/jacket 5-3/4 inches

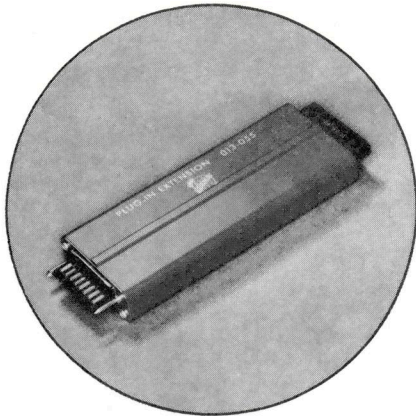
PUBLICATION NO.

061-0888-00
August 1965
(Revised)

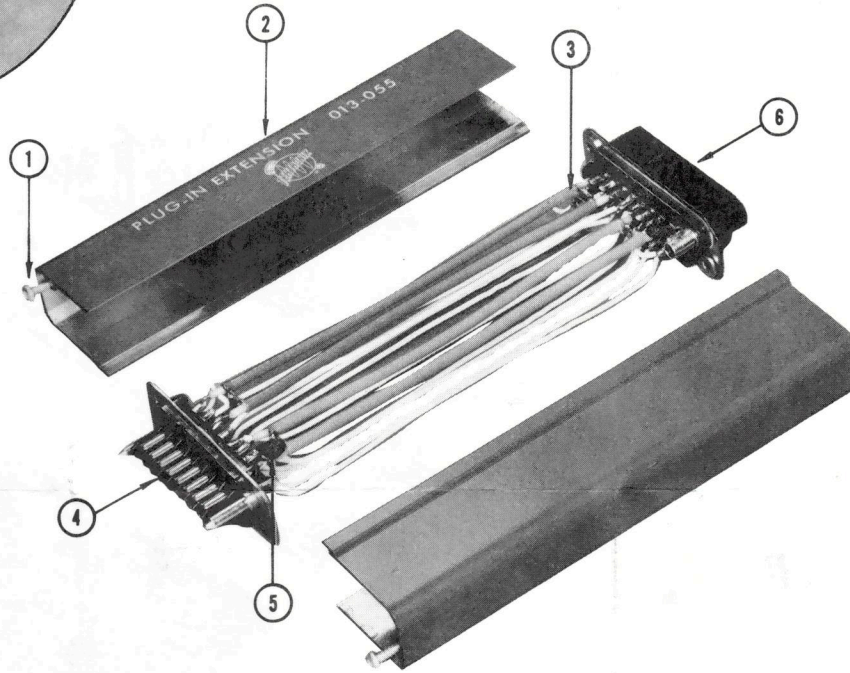


©, 1963, Tektronix, Inc., All rights reserved.

PLUG-IN EXTENSION (Part No. 013-0055-00)



LATE



REF. NO.	PART NO.	SERIAL/MODEL NO.		QTY.	DESCRIPTION
		EFF.	DISC.		
1	213-0119-00			4	SCREW, thread forming, 4-24 x 3/8 inch, Pan HS
2	200-0432-00			2	COVER, plug-in extension
3	175-0055-00			5	CABLE, coax. 93 Ω, w/jacket, 5-3/4 inch
4	131-0017-00			1	CONNECTOR, chassis mt., 16 contact, male
5	283-0000-00			2	CAPACITOR, .001 μf, disc type, 500 V
6	131-0018-00			1	CONNECTOR, chassis mt., 16 contact, female