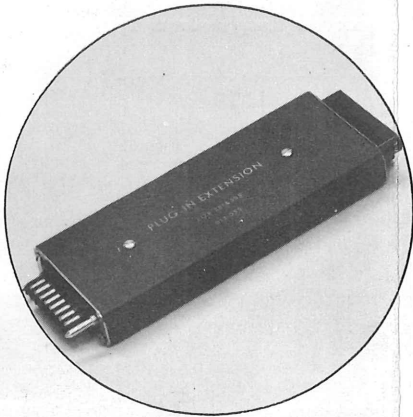
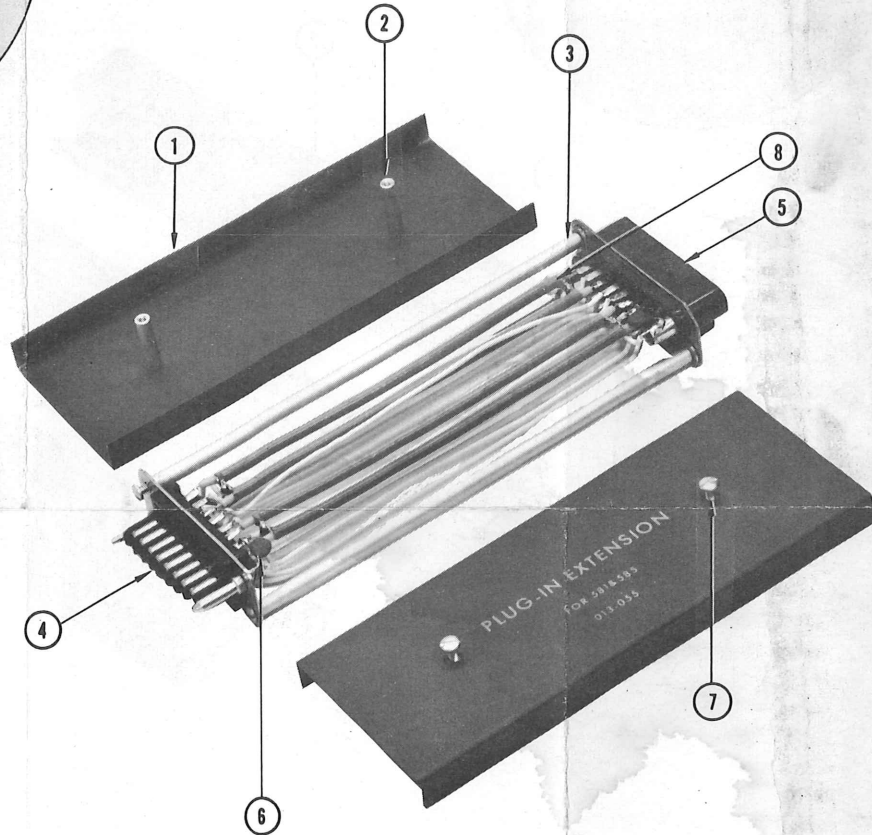


PLUG-IN EXTENSION (Part No. 013-055)



EARLY



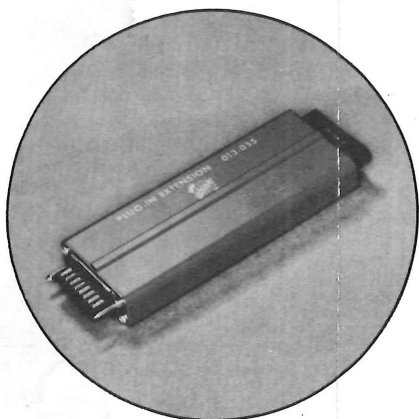
REF. NO.	PART NO.	SERIAL NO.		QTY.	DESCRIPTION
		EFF.	DISC.		
1	200-389			2	COVER, plug-in extension
2	166-069			2	TUBE, spacer
3	166-070			2	TUBE, spacer, 6" lg.
4	131-017			1	CONNECTOR, chassis mt., 16 contact, male
5	131-018			1	CONNECTOR, chassis mt., 16 contact, female
6	283-000			2	CAPACITOR, .001 μ f, disc type, 500 v
7	211-008			8	SCREW, 4-40 x 1/4 BHS
8	175-055			5	CABLE, coax. 93 Ω w/jacket 5-3/4"

PUBLICATION NO.
061-888
April 1963

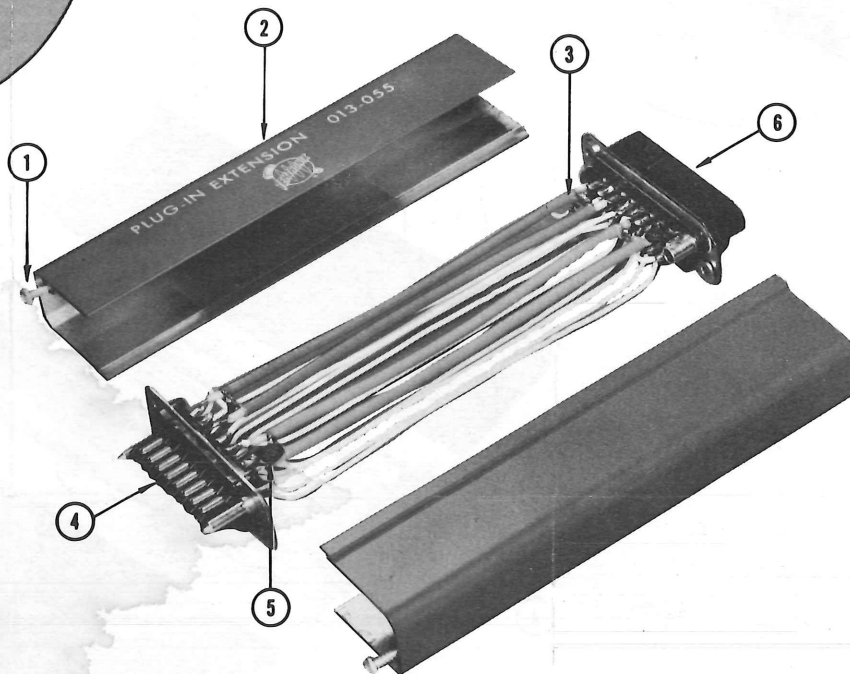


©, 1963, Tektronix, Inc.,
All rights reserved.

PLUG-IN EXTENSION (Part No. 013-055)



LATE



REF. NO.	PART NO.	SERIAL NO.		QTY.	DESCRIPTION
		EFF.	DISC.		
1	213-119			4	SCREW, thread forming, 4-24 x 3/8 inch, Pan HS
2	200-432			2	COVER, plug-in extension
3	175-055			5	CABLE, coax. 93 Ω, w/jacket, 5-3/4 inch
4	131-017			1	CONNECTOR, chassis mt., 16 contact, male
5	283-000			2	CAPACITOR, .001 μf, disc type, 500 V
6	131-018			1	CONNECTOR, chassis mt., 16 contact, female

PUBLICATION NO.
 061-888
 May 1963



©, 1963, Tektronix, Inc.,
All rights reserved.