

RHOMBUS

PROJECT=RHOMBUS
ENGINEER=DOUG HUARD

PHONE: 627-2946

DATE: 3/11/96

SHEET: 7 OF: 17 SHEET_NAME: FISO

FISO A1

7

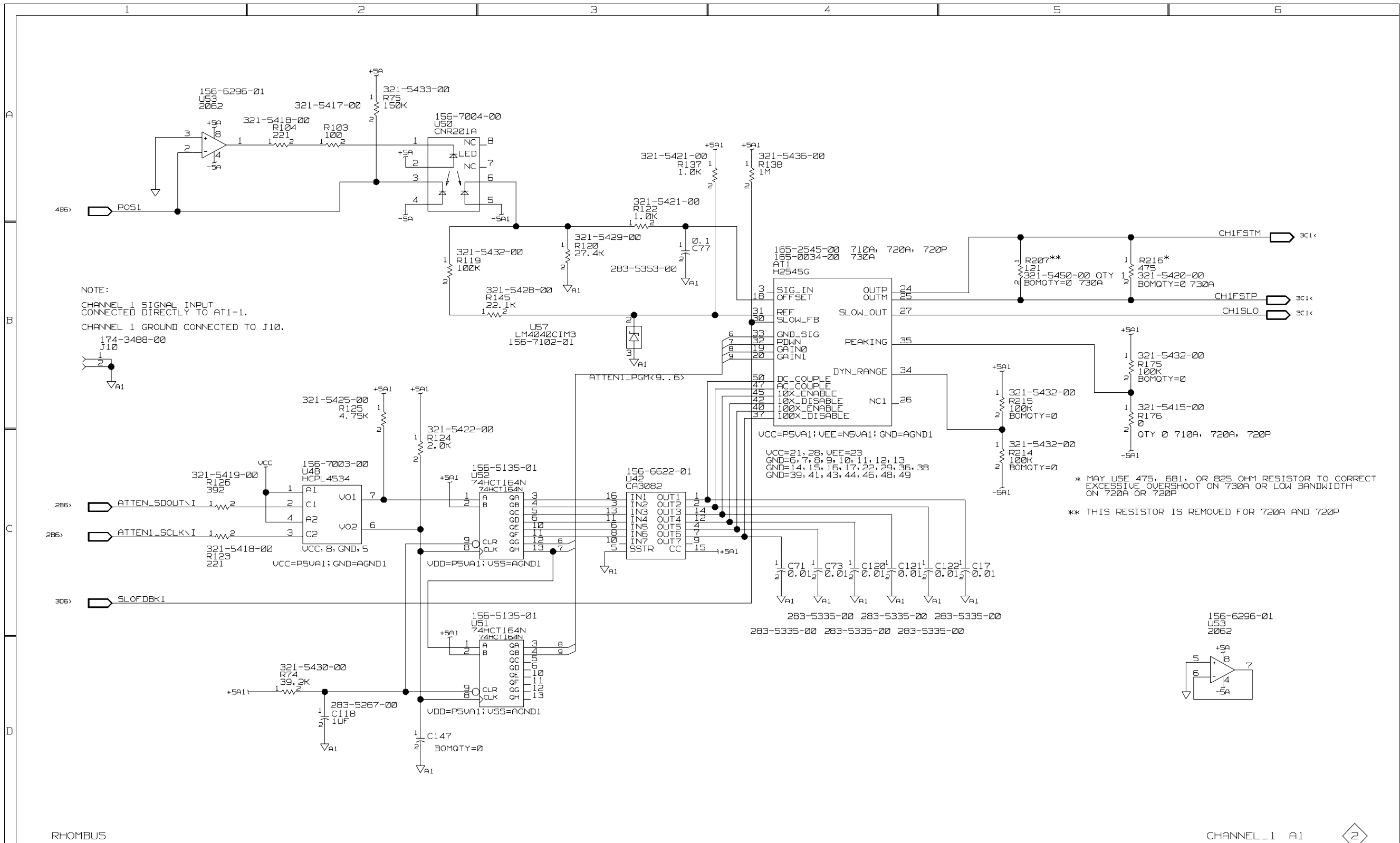
DRAWING

TITLE=ACQUISITION

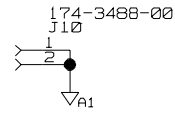
ABBREV=ACQUISITION

LAST_MODIFIED=Tue Dec 3 13:07:23 1996

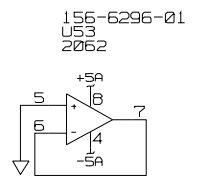
ASSEMBLY_NUMBER:



NOTE:
 CHANNEL 1 SIGNAL INPUT
 CONNECTED DIRECTLY TO AT1-1.
 CHANNEL 1 GROUND CONNECTED TO J10.

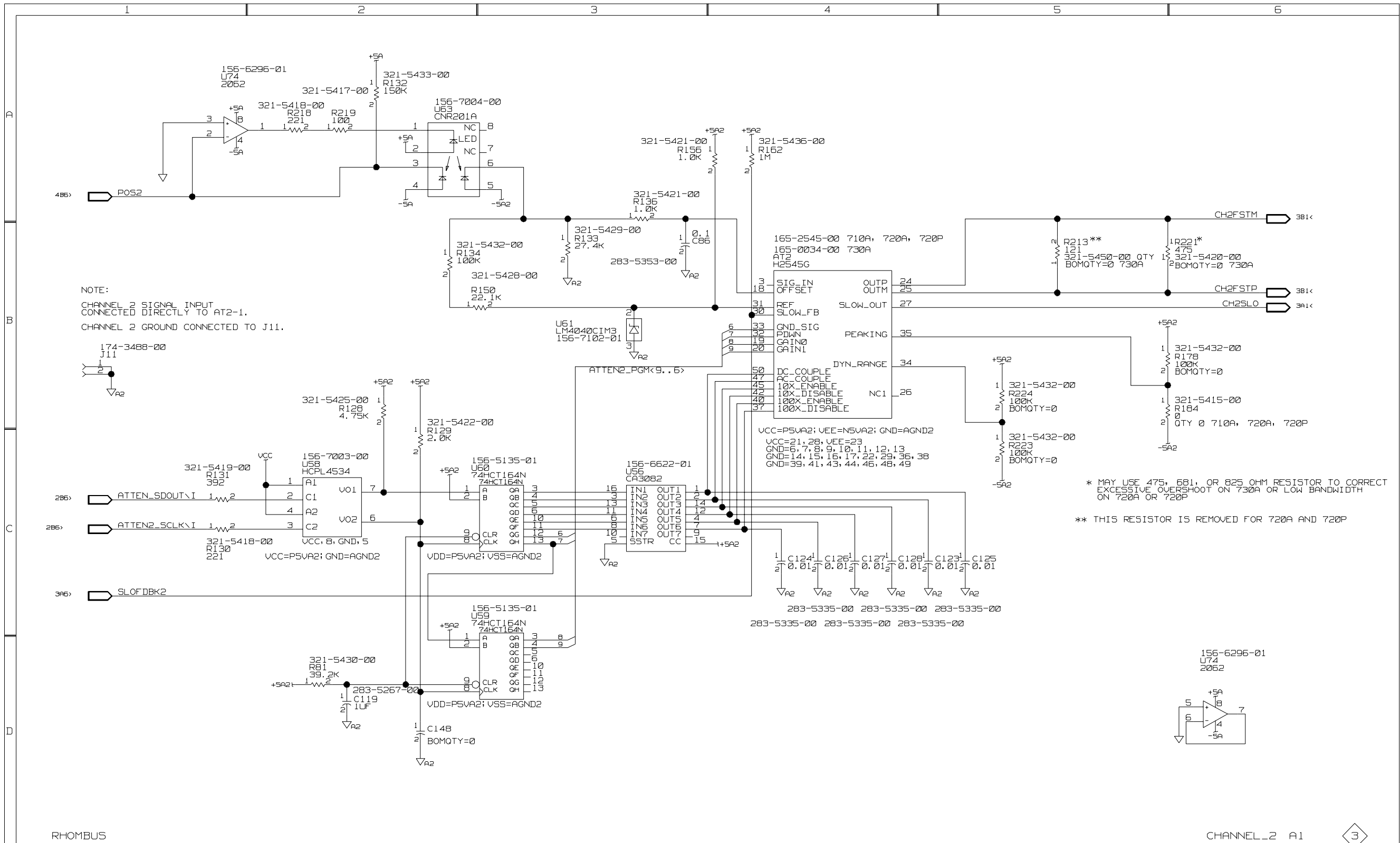


* MAY USE 475, 681, OR 825 OHM RESISTOR TO CORRECT
 EXCESSIVE OVERSHOOT ON 730A OR LOW BANDWIDTH
 ON 720A OR 720P
 ** THIS RESISTOR IS REMOVED FOR 720A AND 720P



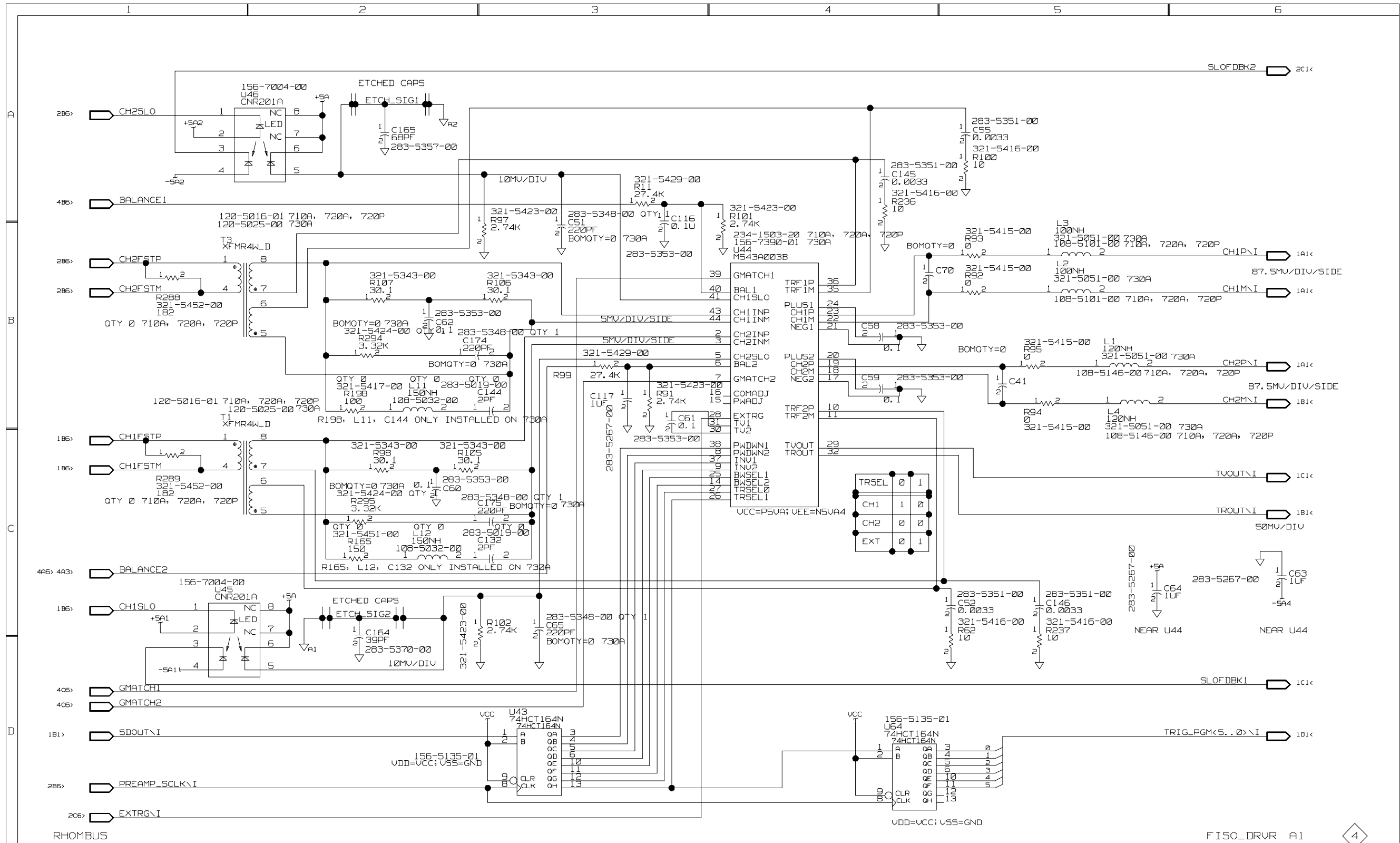
RHOMBUS

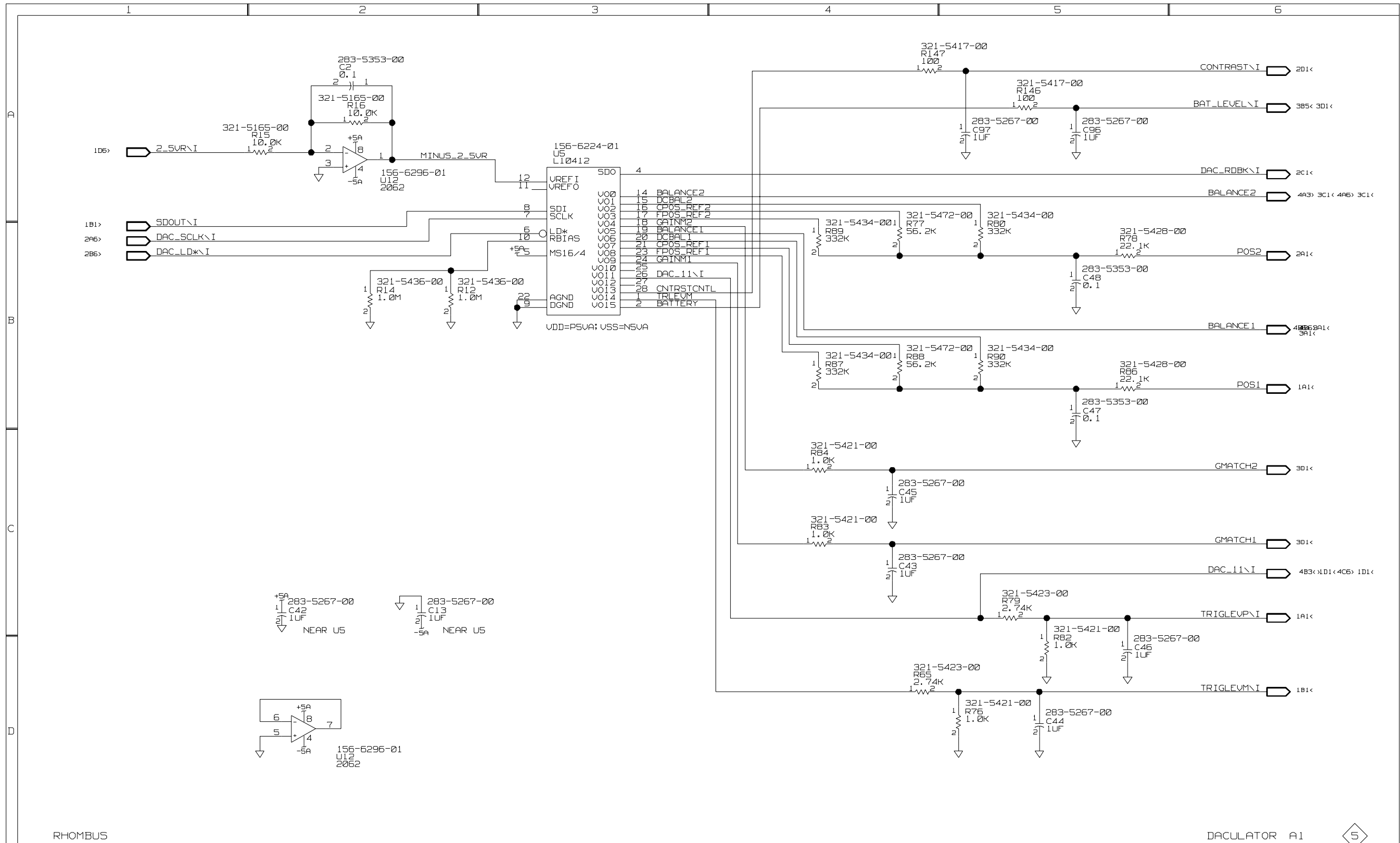
CHANNEL_1 A1



RHOMBUS

CHANNEL_2 A1





RHOMBUS

DACULATOR A1

PROJECT=RHOMBUS
ENGINEER=DOUG HUARD

PHONE: 627-2946

DATE: 3/11/96

SHEET: 5

OF: 17

SHEET_NAME: DACULATOR

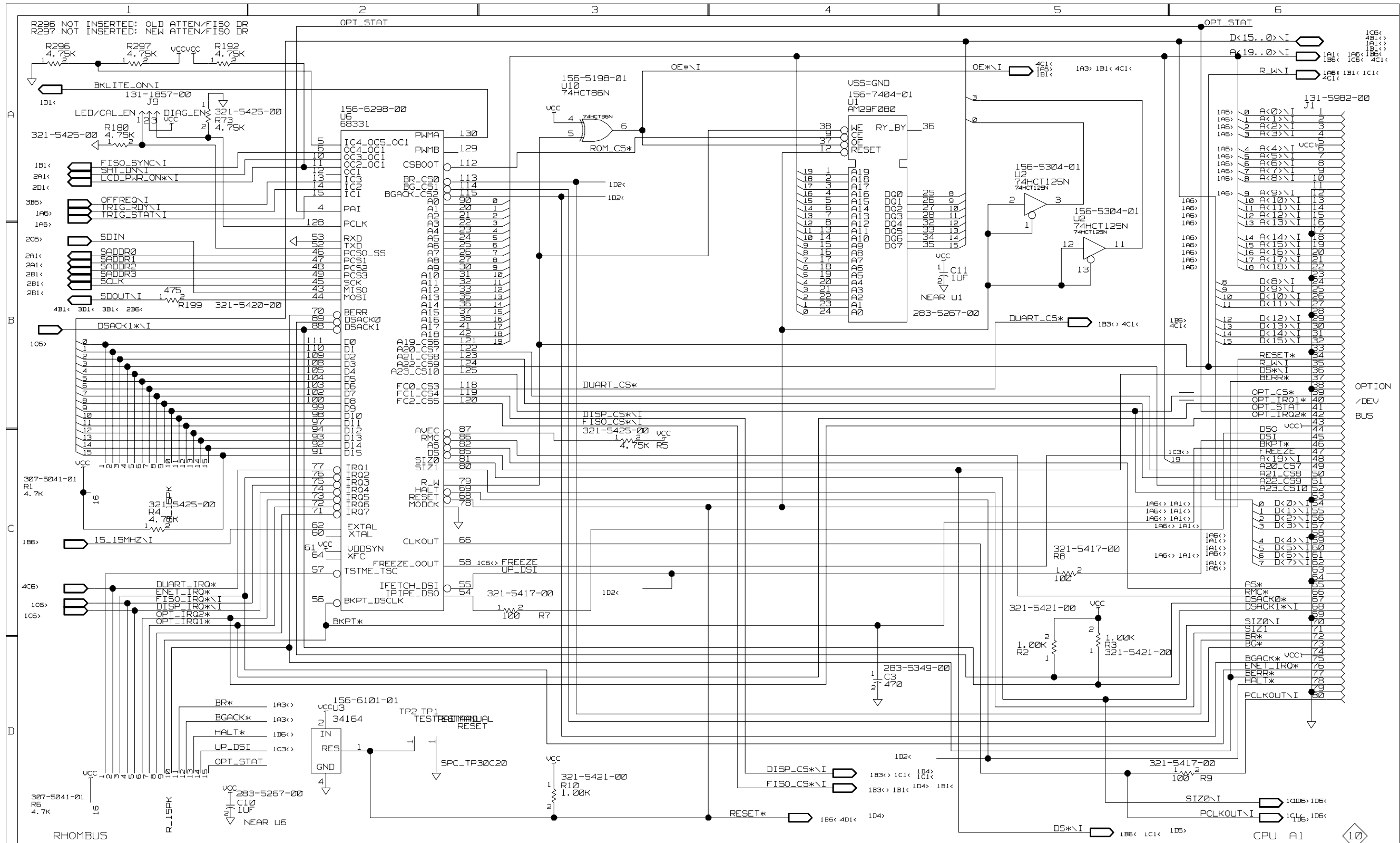
ASSEMBLY_NUMBER:

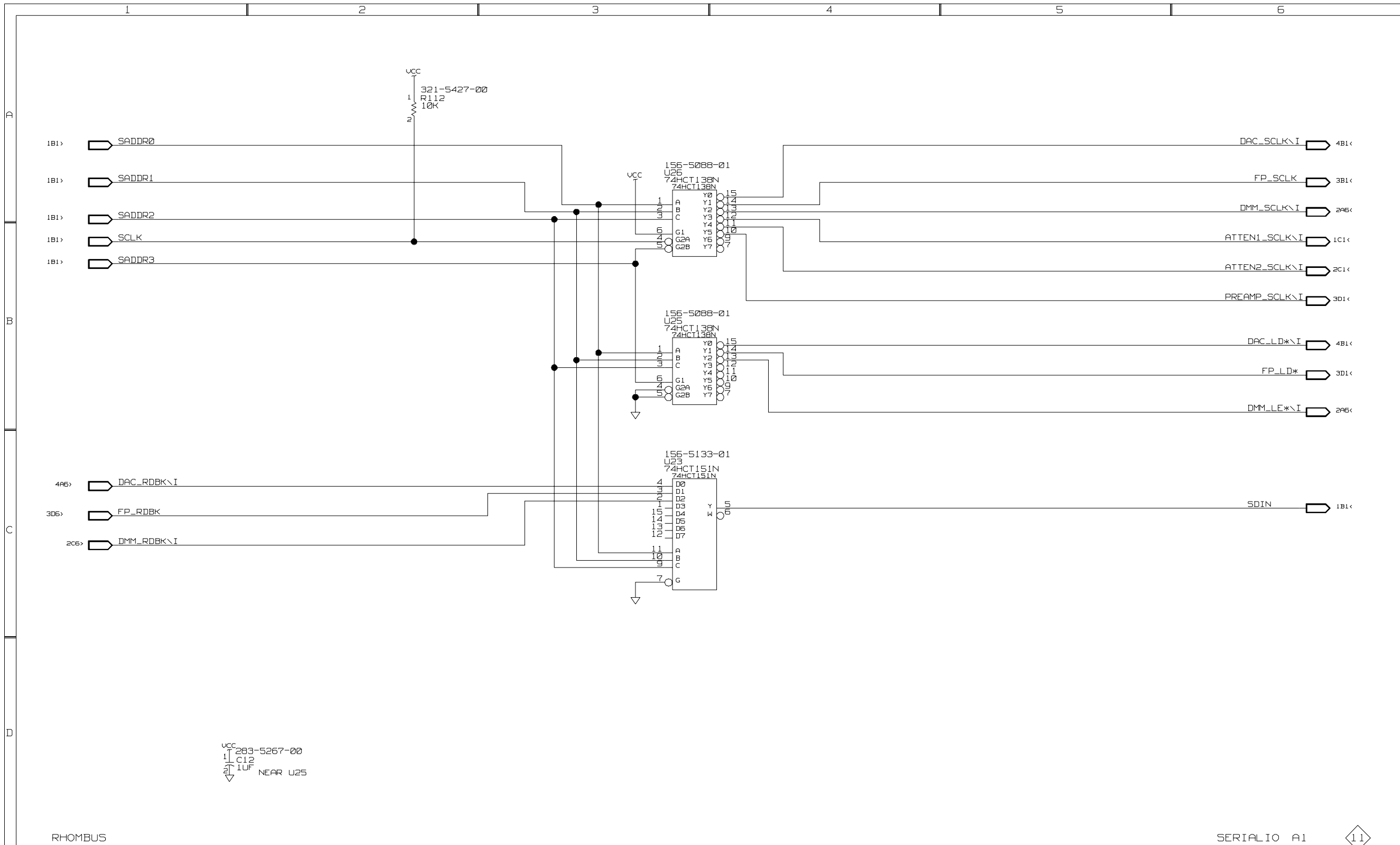
DRAWING

TITLE=ATTEN

ABBREV=ATTEN

LAST_MODIFIED=Tue Dec 3 13:07:15 1996





RHOMBUS

PROJECT=RHOMBUS
 ENGINEER=DOUG HUARD

PHONE: 627-2946

DATE: 3/11/96

SHEET: 11 OF: 17 SHEET_NAME: SERIALIO

SERIALIO A1

11

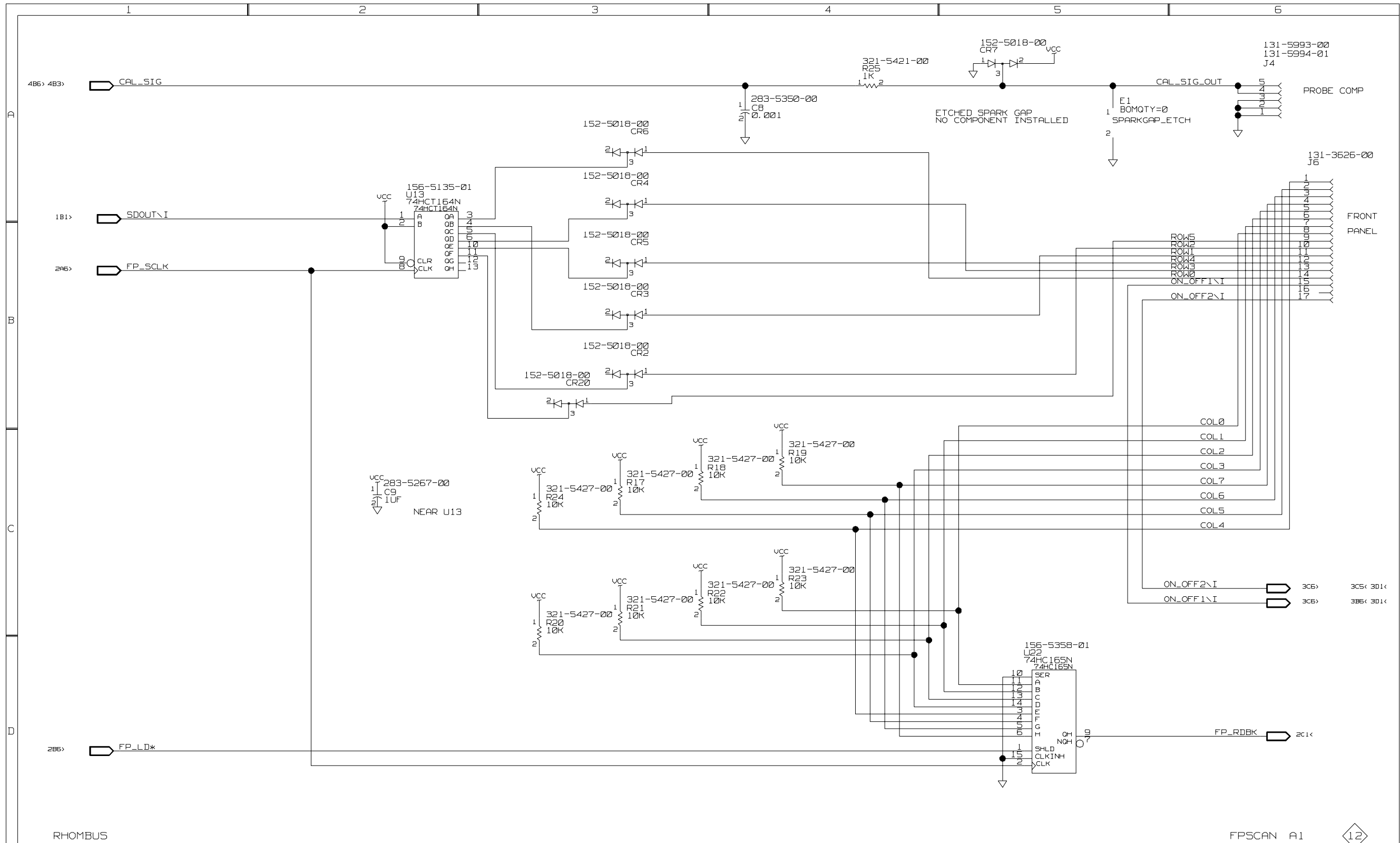
ASSEMBLY_NUMBER:

DRAWING

TITLE=CPU

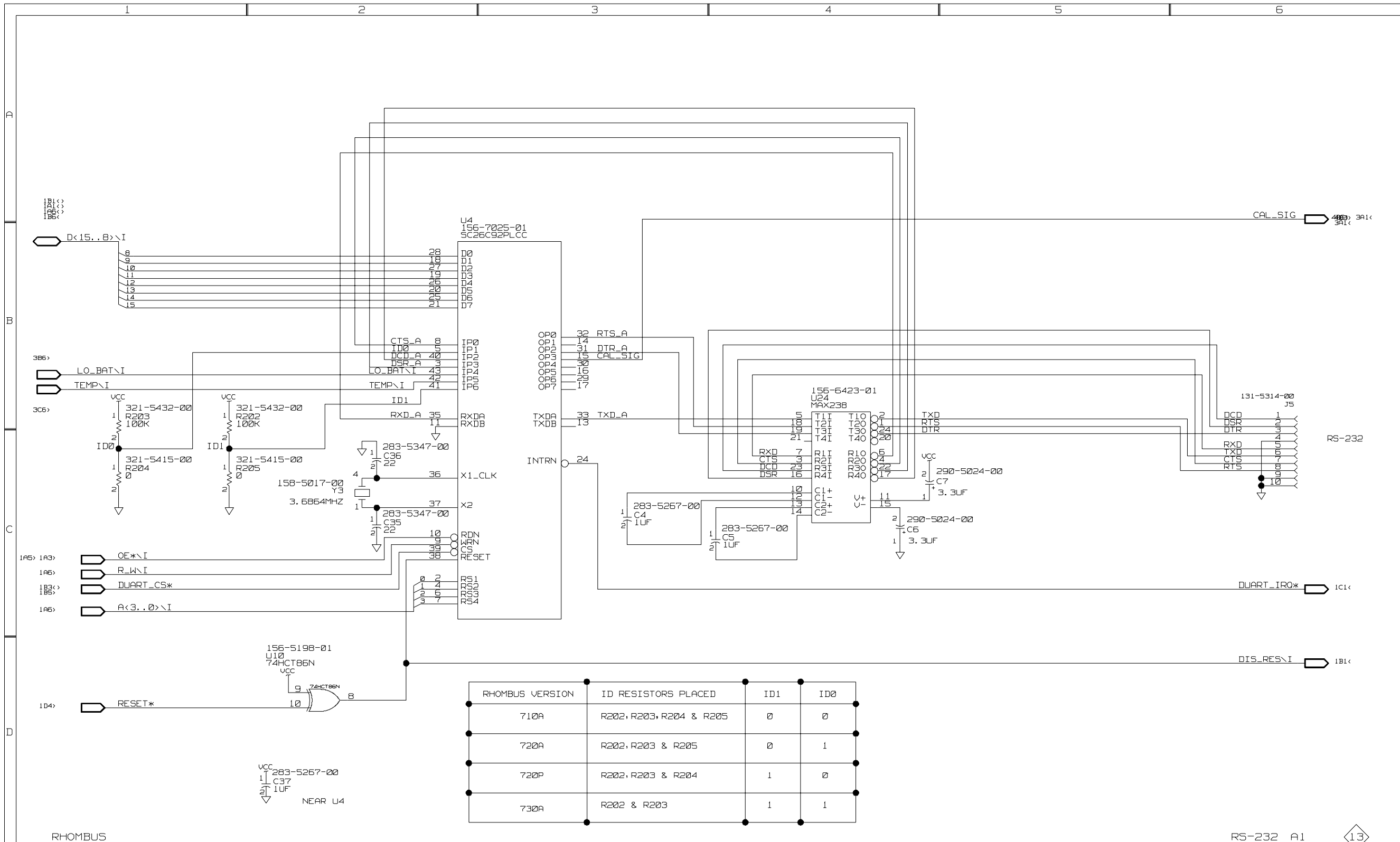
ABBREV=CPU

LAST_MODIFIED=Tue Dec 3 13:08:41 1996



RHOMBUS

FPSCAN A1



RHOmBUS

RS-232 A1

13

PROJECT=RHOmBUS
ENGINEER=DOUG HUARD

PHONE: 627-2946

DATE: 3/11/96

SHEET: 13 OF: 17

SHEET_NAME: RS-232

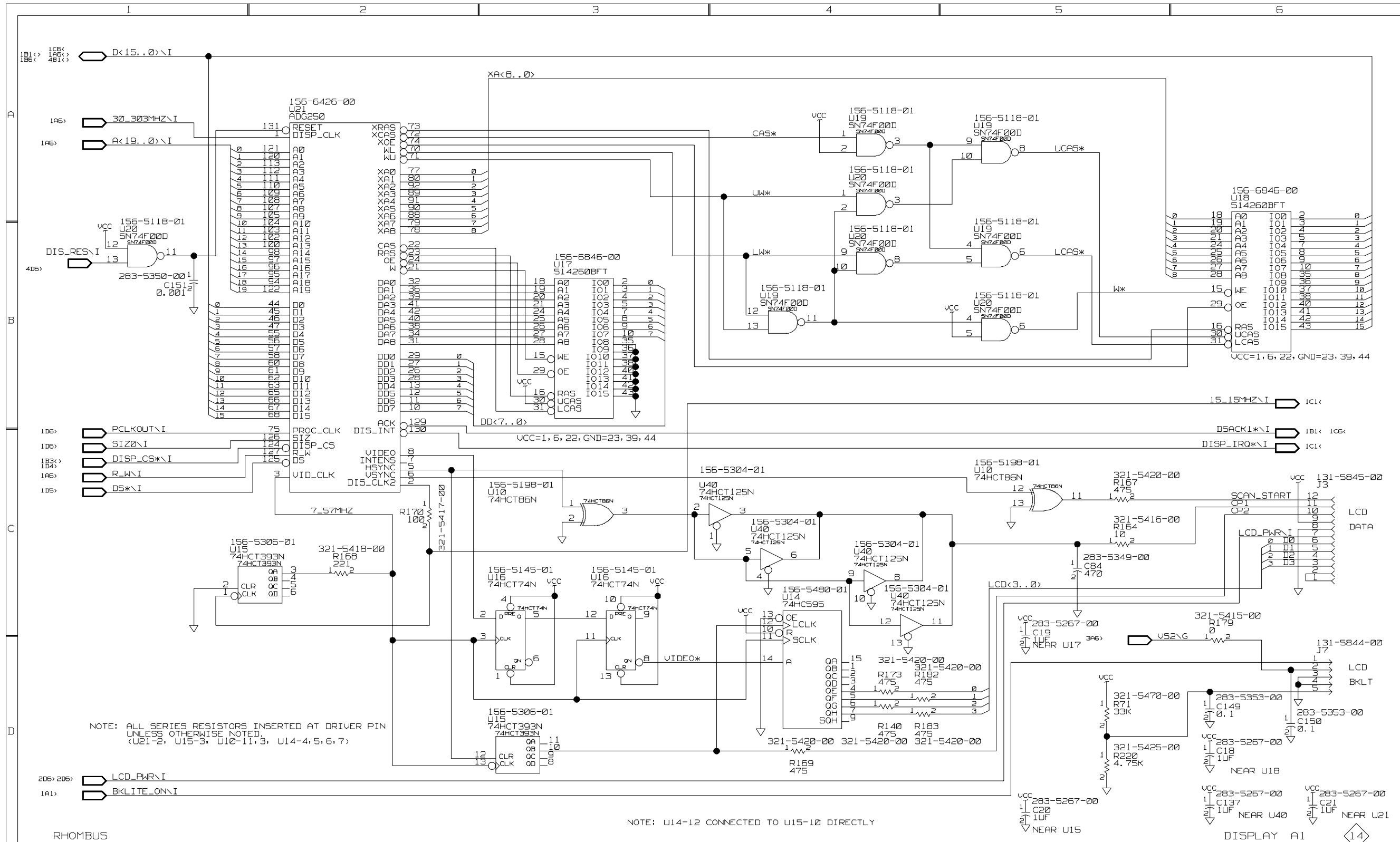
ASSEMBLY_NUMBER:

DRAWING

TITLE=CPU

ABBREV=CPU

LAST_MODIFIED=Tue Dec 3 13:08:50 1996



RHOHMBUS

PROJECT=RHOHMBUS
ENGINEER=DOUG HUARD

PHONE: 627-2946

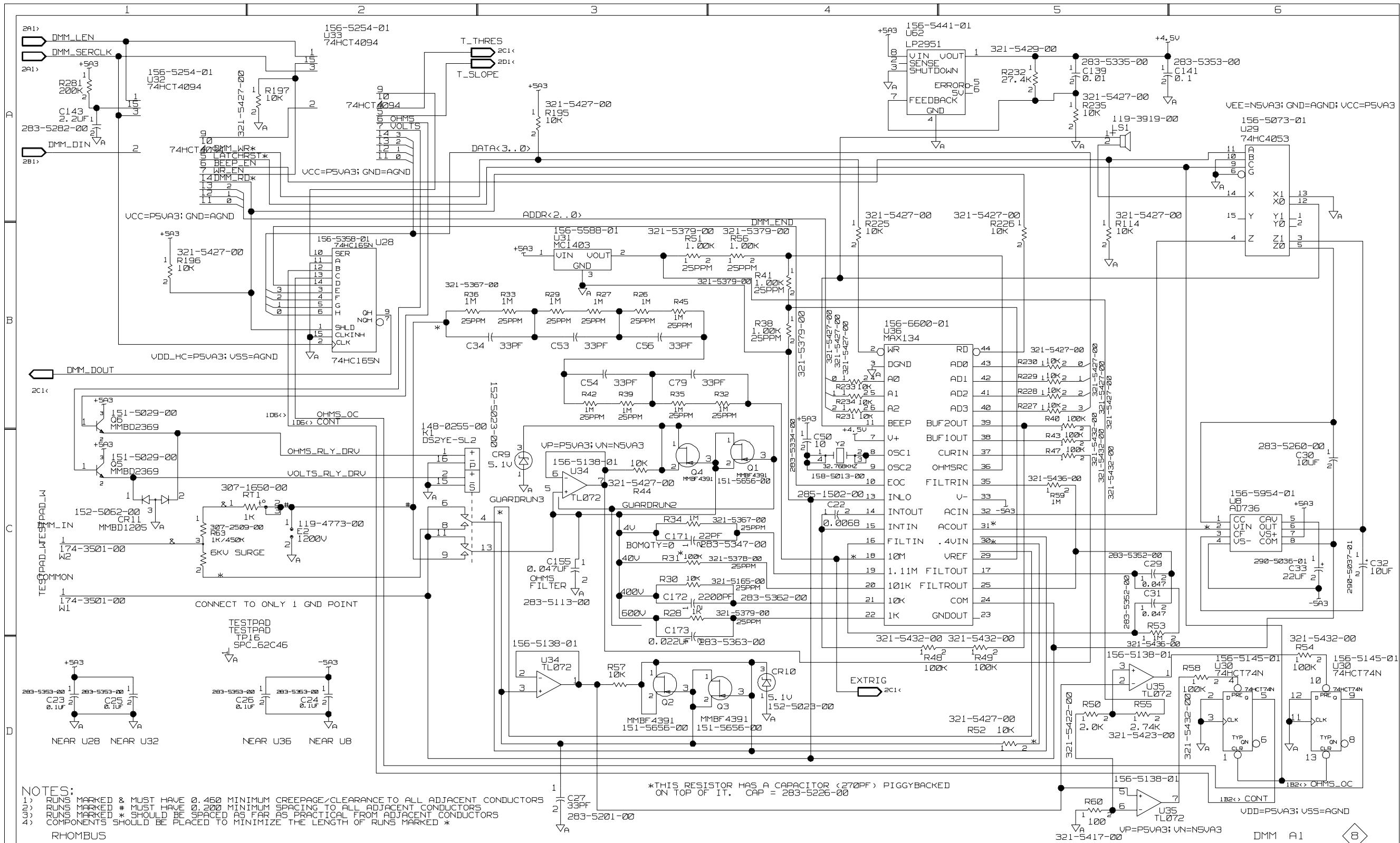
DATE: 3/11/96

SHEET: 14 OF: 17 SHEET_NAME: DISPLAY

ASSEMBLY_NUMBER:

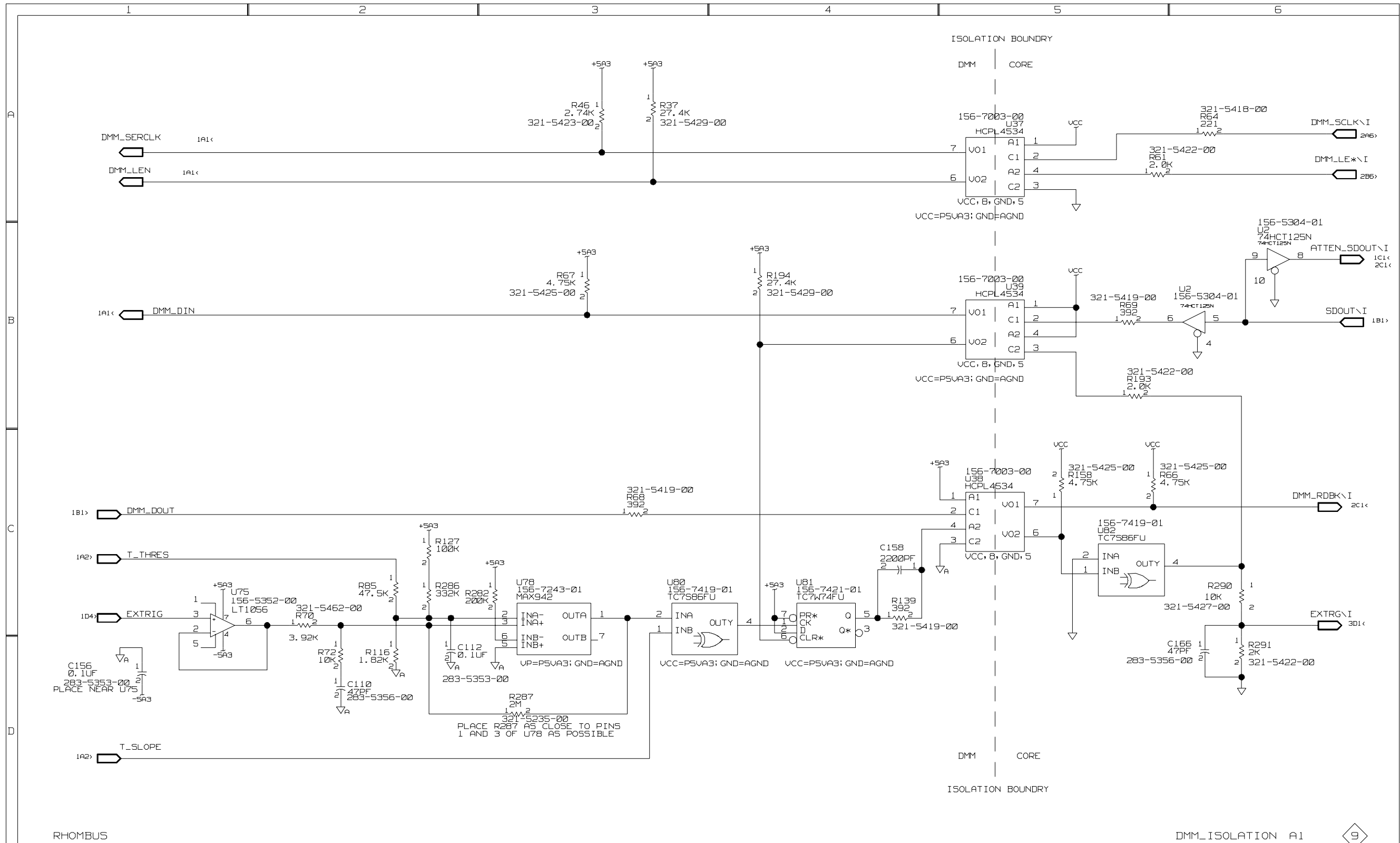
DRAWING
TITLE=DISPLAY
ABBREV=DISPLAY
LAST_MODIFIED=Tue Dec 3 13:08:23 1996

14



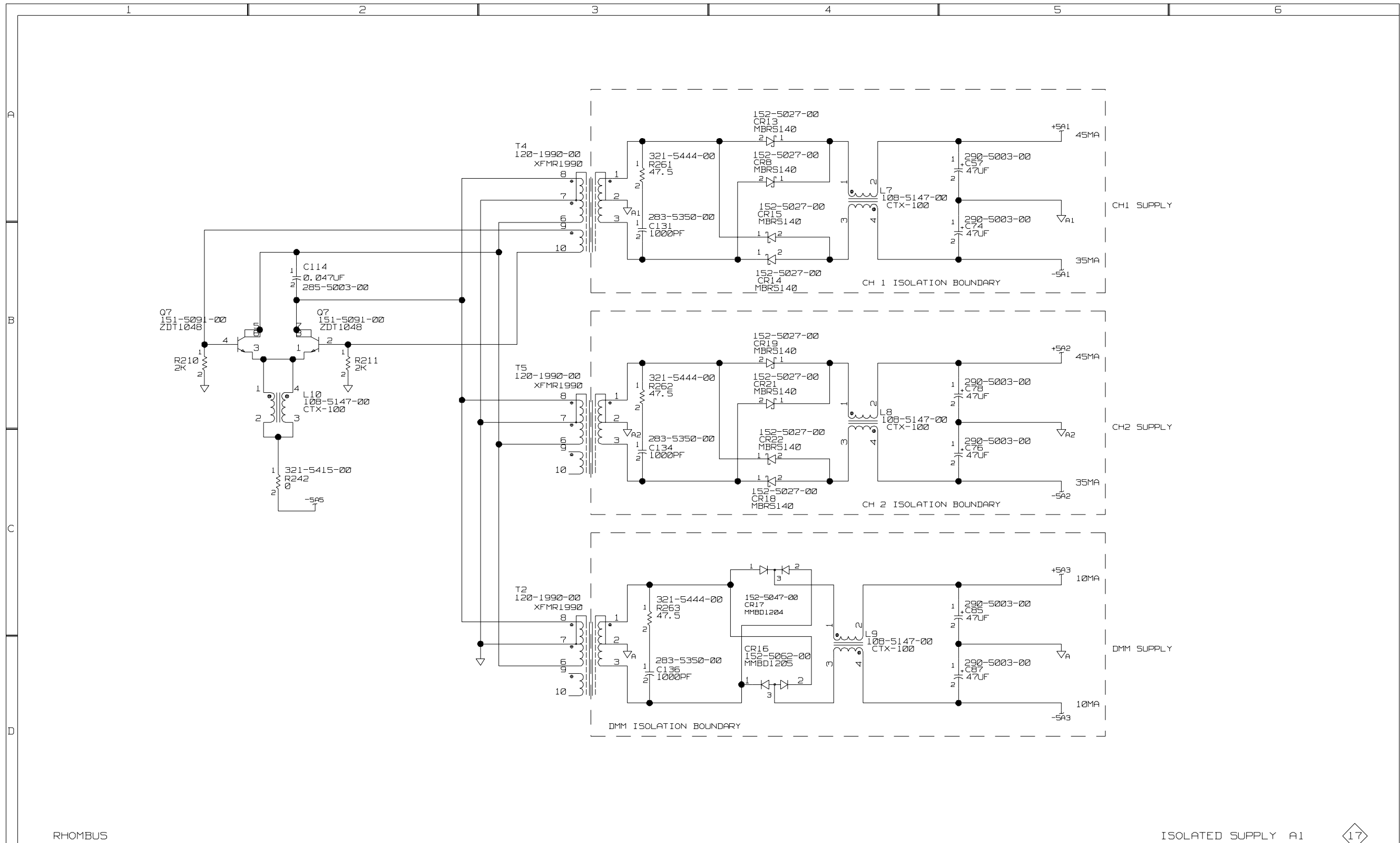
NOTES:
 1) RUNS MARKED & MUST HAVE 0.460 MINIMUM CREEPAGE/CLEARANCE TO ALL ADJACENT CONDUCTORS
 2) RUNS MARKED # MUST HAVE 0.200 MINIMUM SPACING TO ALL ADJACENT CONDUCTORS
 3) RUNS MARKED * SHOULD BE SPACED AS FAR AS PRACTICAL FROM ADJACENT CONDUCTORS
 4) COMPONENTS SHOULD BE PLACED TO MINIMIZE THE LENGTH OF RUNS MARKED *

*THIS RESISTOR HAS A CAPACITOR (270PF) PIGGYBACKED ON TOP OF IT. CAP = 283-5226-00



RHOMBUS

DMM_ISOLATION A1



RHOMBUS

ISOLATED SUPPLY A1

17

PROJECT=RHOMBUS
ENGINEER=DOUG HUARD/BERNARD RATE

PHONE: 627-2946

DATE: 3/11/96

SHEET: 17 OF: 17

SHEET_NAME: ISOLATED SUPPLY

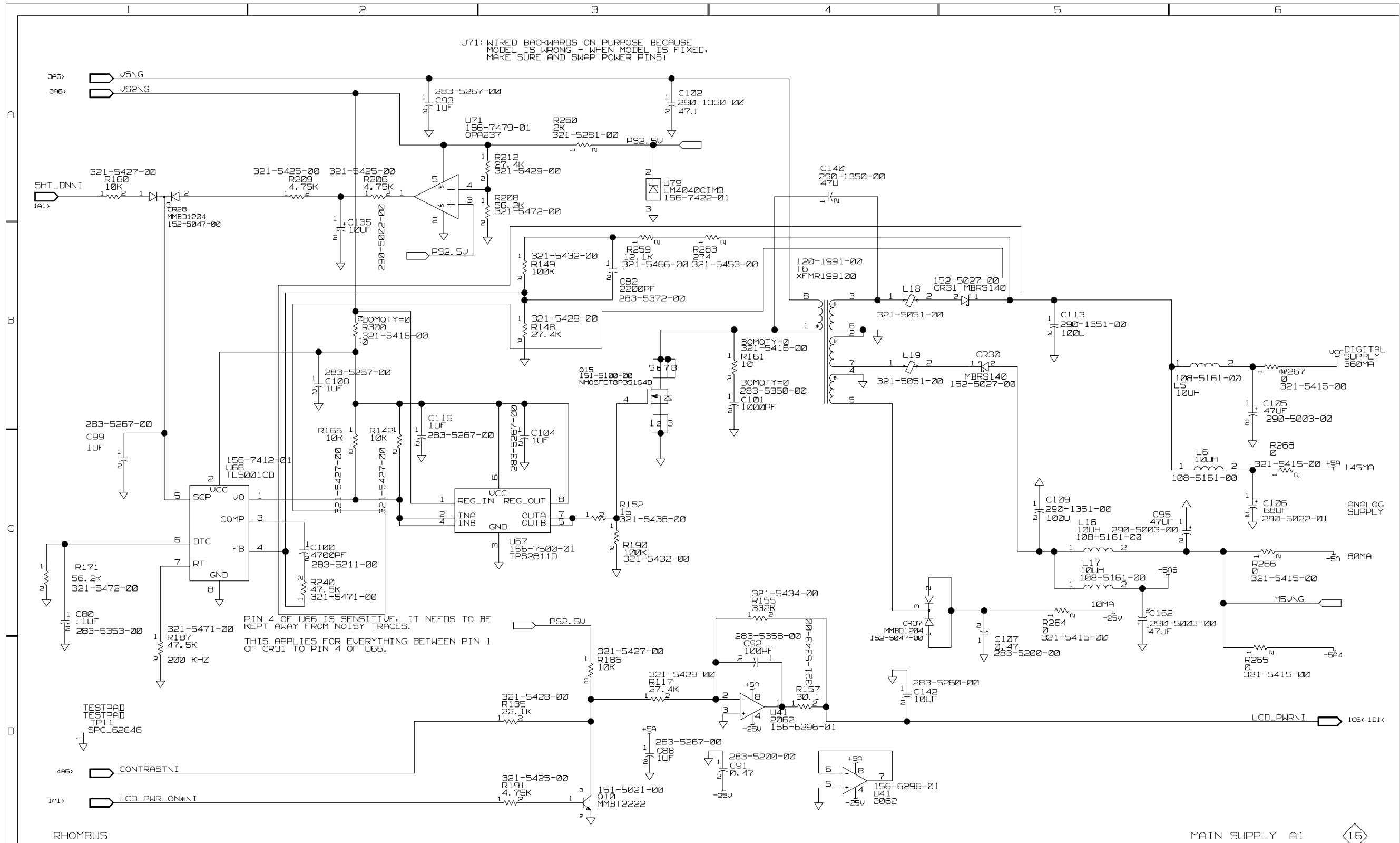
ASSEMBLY_NUMBER:

DRAWING

TITLE=PWRSPLY

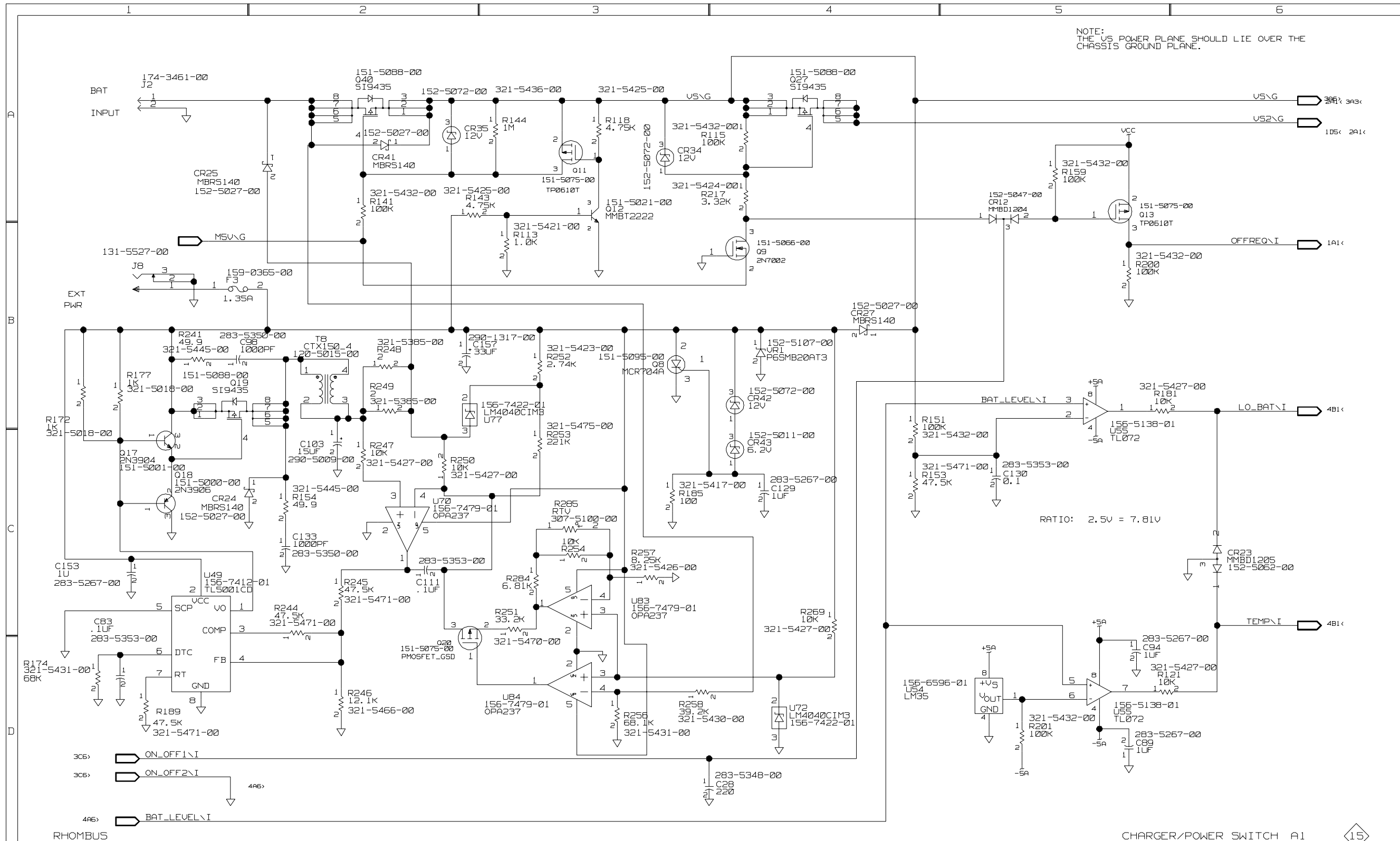
ABBREV=PWRSU

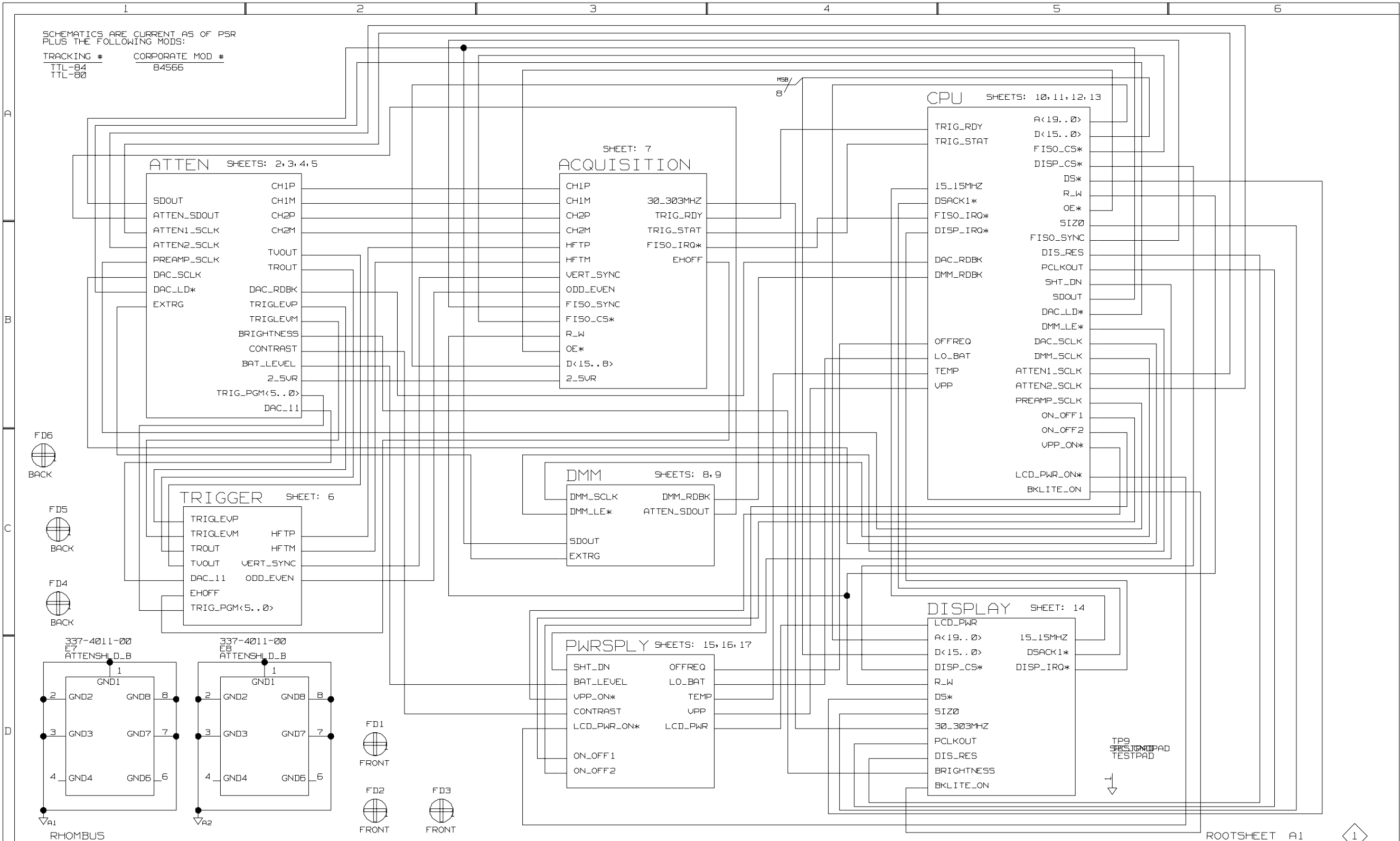
LAST_MODIFIED=Tue Dec 3 13:07:52 1996

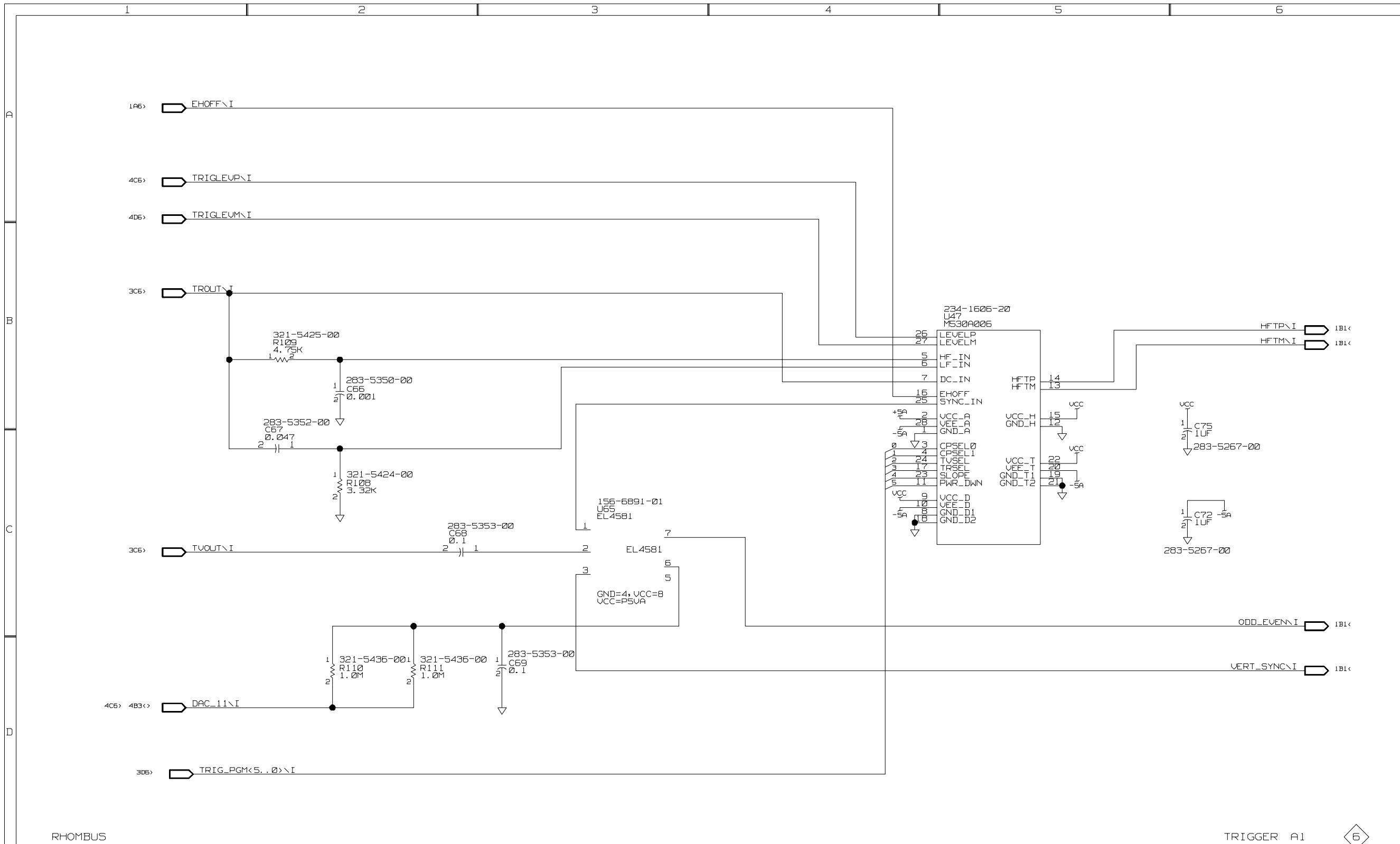


RHOMBUS

MAIN SUPPLY A1







RHOMBUS

TRIGGER A1

6

DRAWING

PROJECT=RHOMBUS
ENGINEER=DOUG HUARD

PHONE: 627-2946

DATE: 3/11/96

SHEET: 6

OF: 17

SHEET_NAME: TRIGGER

ASSEMBLY_NUMBER:

TITLE=TRIGGER

ABBREV=TRIGGER

LAST_MODIFIED=Tue Dec 3 13:06:49 1996