

TEKTRONIX

TEK User's Reference
Supplement

Part No. 070-5921-00
Product Group 47



11A34 Four Channel Amplifier

Serial Number-_____

Please check for CHANGE INFORMATION in the rear of this manual.

First Printing FEB 1987
Revised OCT 1987

Tektronix
COMMITTED TO EXCELLENCE

TEK INTER-OFFICE COMMUNICATION

TO John Martin 94-540 DATE June 25, 1991
FROM Frank Gray, 50-PAT
SUBJECT GIDEP permit request

In response to the request to grant permission to the Government Industry Exchange Program (GIDEP) to reproduce Tektronix operator, service and instruction manuals, Tektronix, Inc. hereby grants such permission for distribution of such documents to any GIDEP user that is a full participant in the Metrology Data Interchange Data Base of GIDEP provided that all copies of the original work include the entire copyright notice and ownership statement exactly as it appears in the original, together with the Legend "Reproduced with permission."

This permission has been approved by the Intellectual Property Committee of Tektronix, and a copy of this memo may be provided to GIDEP to provide the requested permission.



Francis I. Gray
Group Patent Counsel

imp

INSTRUMENT SERIAL NUMBERS

Each instrument has a serial number on a panel insert, tag, or stamped on the chassis. The **first** number or letter designates the country of manufacture. The **last** five digits of the serial number are assigned sequentially and are unique to each instrument. Those manufactured in the United States have six unique digits. The country of manufacture is identified as follows:

| | |
|----------------|--|
| B000000 | Tektronix, Inc., Beaverton , Oregon, USA |
| 100000 | Tektronix Guernsey Ltd., Channel Islands |
| 200000 | Tektronix United Kingdom, Ltd., London |
| 3a0000 | Sony/Tektronix , Japan |
| 700000 | Tektronix Holland, NV, Heerenveen, The Netherlands |

Copyright© Tektronix, Inc.. 1987. All rights reserved. Tektronix products are covered by US. and foreign patents, issued and pending. TEKTRONIX, INC. SCOPEMOBILE and  are registered trademarks. Printed in U.S.A.

11A34 Features and Functions


Features

- Dual trace
- Up to 300 MHz bandwidth (in 11402)
- Calibrated sensitivities from 1 mV to 10 V/division
- 50 Ω or 1 M Ω input impedance
- High-resolution, calibrated DC offset (0.25 division/increment, coarse; 0.025 division/increment, fine)
- Fast overdrive recovery

Functions

Signals applied to the CH 1, CH 2, CH 3 and CH 4 input connectors can be displayed or removed from the display by pressing the display on/off buttons adjacent to the input connectors.

All other 11A34 functions are controlled through the host mainframe. Such **controlled functions** are:

- Sensitivity, Coarse and Fine, over a range of 1 mV to 10 V/division.
- Vertical Offset.
- Coupling: AC, DC, or Off.
- Impedance (input termination): 50 Ω or 1 M Ω .
- Bandwidth Limit: 100 MHz or 20 MHz.
- Display Polarity: normal or inverted
- Trigger Polarity: normal or inverted.
- Combination of Display Channels: see Operating Information section of mainframe User's Reference manual.
-  Trigger Channels: same as Display Channels; see Operating Information section of mainframe User's Reference manual.

Contents

Part 1-General Information

| | |
|--|-----|
| Technical Manuals | 1-1 |
| Contents of this Supplement | 1-1 |
| 11A34 Service Manual | 1-2 |
| Plug-in to Mainframe Compatibility | 1-2 |
| Initial Inspection | 1-2 |
| Operating Temperature | 1-3 |
| Installing and Removing the 11A34 | 1-3 |
| Instrument options | 1-4 |
| Packaging for Shipment | 1-5 |

Part 2—Operating the 11A34 in 11301 and 11302 Mainframes

| | |
|---|-----|
| Display On/off | 2-1 |
| Selecting Coupling, HF Limit, and Impedance | 2-1 |
| Other Functions | 2-2 |
| Position and Offset | 2-2 |
| HF Limit | 2-3 |
| DC Circuit Loading | 2-3 |
| Adding Waveforms | 2-4 |
| overdrive Recovery | 2-4 |
| 50Ω Overload | 2-7 |
| Active Probe | 2-7 |
| Probe ID | 2-7 |
| Front-Panel Error Messages | 2-8 |
| GPIB and RS-232-C Commands and Syntax | 2-9 |

Part 3—Operating the 11A34 in 11401 and 11402 Mainframes

| | |
|---|------|
| Display On/Off | 3-1 |
| Other Functions | 3-1 |
| Vertical Offset | 3-2 |
| BW Limit | 3-2 |
| DC Circuit Loading | 3-2 |
| Adding and Subtracting Waveforms | 3-4 |
| overdrive Recovery | 3-5 |
| 50Ω Overload | 3-a |
| Active Probes | 3-8 |
| Probe ID | 3-8 |
| Front-Panel Error Messages | 3-10 |
| GPIB and RS-232-C Commands and Syntax | 3-11 |

Part P-Specification

| | |
|-------------------------------------|-----|
| Performance Conditions | 4-1 |
| Electrical Characteristics | 4-1 |
| Environmental Characteristics | 4-7 |
| Physical Characteristics | 4-a |
| Recommended Probes | 4-8 |

Appendix A—Glossary A-1

Appendix B—Instrument Documentation B-1

Illustrations

1-1 Installing a plug-in unit in a mainframe oscilloscope I-4

2-1 Location of AC coupling capacitors in plug-in amplifiers 2-3

2-2 Overdrive recovery using long (top) and short (bottom) cables terminated in **50Ω**. Traces are offset two divisions and the photograph is a double exposure 2-5

2-3 Overdrive recovery using long (**top**) and short (**bottom**) cables **unterminated**. Traces are offset **two** divisions and the photograph is a double exposure **2-6**

3-1 Location of AC coupling capacitors in plug-in amplifiers 3-3

3-2 Overdrive recovery using short (top) and long (bottom) cables terminated in **50Ω**. Traces are offset two divisions and the illustration is a composite of two waveforms 3-6

3-3 Overdrive recovery using short (**top**) and long (bottom) cables unterminated. Traces are offset two divisions and the illustration is a composite of two waveforms 3-7

3-4 Sequence of decisions used to select a new **waveform** in response to probe ID button 3-9

4-1 Dimensions of **11A34** 4-9

Tables

2-1 Functions And Where They Are Described 2-2

3-1 Functions And Where They Are Described **3-1**

4-1 **Electrical Characteristics** **4-1**

4-2 Environmental Characteristics 4-7

4-3 Physical Characteristics 4-8

Illustrations

| | | |
|-----|---|------|
| 1-1 | Installing a plug-in unit in a mainframe oscilloscope | 1-4 |
| 2-1 | Location of AC coupling capacitors in plug-in amplifiers | 2-3 |
| 2-2 | Overdrive recovery using long (top) and short (bottom) cables terminated in 50Ω . Traces are offset two divisions and the photograph is a double exposure | 2-5 |
| 2-3 | Overdrive recovery using long (top) and short (bottom) cables unterminated. Traces are offset two divisions and the photograph is a double exposure | 2-6 |
| 3-1 | Location of AC coupling capacitors in plug-in amplifiers | 3-3 |
| 3-2 | Overdrive recovery using short (top) and long (bottom) cables terminated in 50Ω . Traces are offset two divisions and the illustration is a composite of two waveforms | 3-6 |
| 3-3 | Overdrive recovery using short (top) and long (bottom) cables unterminated. Traces are offset two divisions and the illustration is a composite of two waveforms | 3-7 |
| 3-4 | Sequence of decisions used to select a new waveform in response to probe ID button..... | 3-9 |
| 4-1 | Dimensions of 11A34 | 4-9 |
| 5-1 | Input disconnect time and threshold waveform | 5-14 |

Tables

| | | |
|-----|--|-----|
| 2-1 | Functions And Where They Are Described | 2-2 |
| 3-1 | Functions And Where They Are Described | 3-1 |
| 4-1 | Electrical Characteristics | 4-1 |
| 4-2 | Environmental Characteristics | 4-7 |
| 4-3 | Physical Characteristics | 4-a |
| 5-1 | Test Equipment Required | 5-1 |

Part 1

General Information

Technical Manuals

This Supplement to the mainframe User's Reference manuals and the Incoming Inspection Procedure manual are standard accessories to the 11A34. For a list of related manuals, see Appendix B.

Contents of this Supplement

This Supplement contains the following five parts:

Part I-GENERAL INFORMATION, describes mainframe to plug-in unit compatibility, explains how to install and remove the 11A34 from a mainframe, outlines any options available for the 11A34, and gives details about packaging for shipment.

Most 11A34 functions, and their use, are described in the Operating Information section of the mainframe User's Reference manuals. These functions are common to all amplifier plug-in units. Examples of common functions are offset, sensitivity, input impedance (where selectable), coupling, and bandwidth limit. Only functions unique to the 11A34-11301/11302 or 11A34-11401/11402 combinations are explained in the following parts.

Part Z-OPERATING THE 11A34 IN 11301 AND 11302 MAINFRAMES, explains how to operate those 11A34 functions not covered in the 11302 User's Reference manual.

Part 3-OPERATING THE 11A34 IN 11401 AND 11402 MAINFRAMES, explains how to operate those 11A34 functions not covered in the 11401 and 11402 User's Reference manual.

Part 4-SPECIFICATION, gives detailed specifications of all 11A34 mainframe oscilloscope combinations.

1 1A34 Service Manual

WARNING

The 1 1A34 Service manual is for use by qualified service personnel only. To avoid personal injury, do not perform any service other than that contained in the Operators manual unless you are qualified to do so. Refer to the Operators Safety Summary and Service Safely Summary before performing any service.

The 1 1A34 Service manual contains the following information:

Section 1—GENERAL INFORMATION.

Section 2—THEORY OF OPERATION.

Section 3—MAINTENANCE AND DIAGNOSTICS.

Section 4—PERFORMANCE VERIFICATION AND ADJUSTMENT.

Section 5—INSTRUMENT OPTIONS:

Section 6—REPLACEABLE ELECTRICAL PARTS.

Section 7—SCHEMATIC DIAGRAMS AND CIRCUIT BOARD ILLUSTRATIONS.

Section 8—REPLACEABLE MECHANICAL PARTS.

Plug-in to Mainframe Compatibility

The 11A34 is designed for use in the 11301, 11302, 11401, 11402, and future 11000-series plug-in mainframes. 1 1A34 bandwidth varies depending on the host mainframe. Details about bandwidth are included in Part 4, Specification, of this Supplement, and in the Tektronix Corporate Catalog. Refer to the Tektronix Corporate Catalog for complete compatibility information.

Initial Inspection

This instrument was inspected mechanically and electrically before shipment. It should be free of marks or scratches and should meet all electrical specifications. First, inspect the 11A34 for physical damage incurred in transit. Secondly, to verify that the instrument is functioning properly, perform the Incoming Inspection Procedure, shipped with the instrument. This brief procedure verifies most instrument functions and checks the internal auto-calibration references. If you find instrument damage or deficiency, contact your local Tektronix Field Office or representative.

Operating Temperature

The 11A34 can be operated where the ambient air temperature is between 0° and +50°C and can be stored in ambient temperature³ from -40° to +75°C. After storage at temperatures outside the operating limits, allow the chassis to reach operating temperature limits before applying power.

Installing and Removing the 11A34

CAUTION

To avoid instrument damage set the mainframe ON/STANDBY switch to STANDBY before installing or removing the 11A34.

If the green indicator light remains ON, when the STANDBY position is selected, the switch has been internally disabled.

To remove or reinstall plug-in units, use the mainframe PRINCIPAL POWER SWITCH (rear panel) to shut OFF the power. This will prevent damage to either the plug-in or the mainframe.

To once again enable the ON/STANDBY switch, r&the instrument to qualified service personnel.

When installed in any 11401/11402 plug-in compartment, or in the 11301/11302 left or center plug-in compartment, the 11A34 will provide a conventional display.

When installed in the center or right plug-in compartment of the 11301/11302, the 11A34-i will also provide the X (horizontal) part of an X-Y display, or provide a trigger signal for the mainframe time base.

To install the 11A34 in any 11000-series oscilloscope mainframe, set the mainframe ON/STANDBY switch to STANDBY. Align the grooves in the top and bottom of the 11A34 with the guides in the mainframe plug-in compartment, then insert the 11A34 into the mainframe until its front panel is flush with the front panel of the mainframe.

To remove the 11A34 from a mainframe, set the mainframe ON-STANDBY switch to STANDBY. Then pull the release latch (see Fig. 1-1) to disengage the unit from the mainframe, and pull the 11A34 straight out of the plug-in compartment.

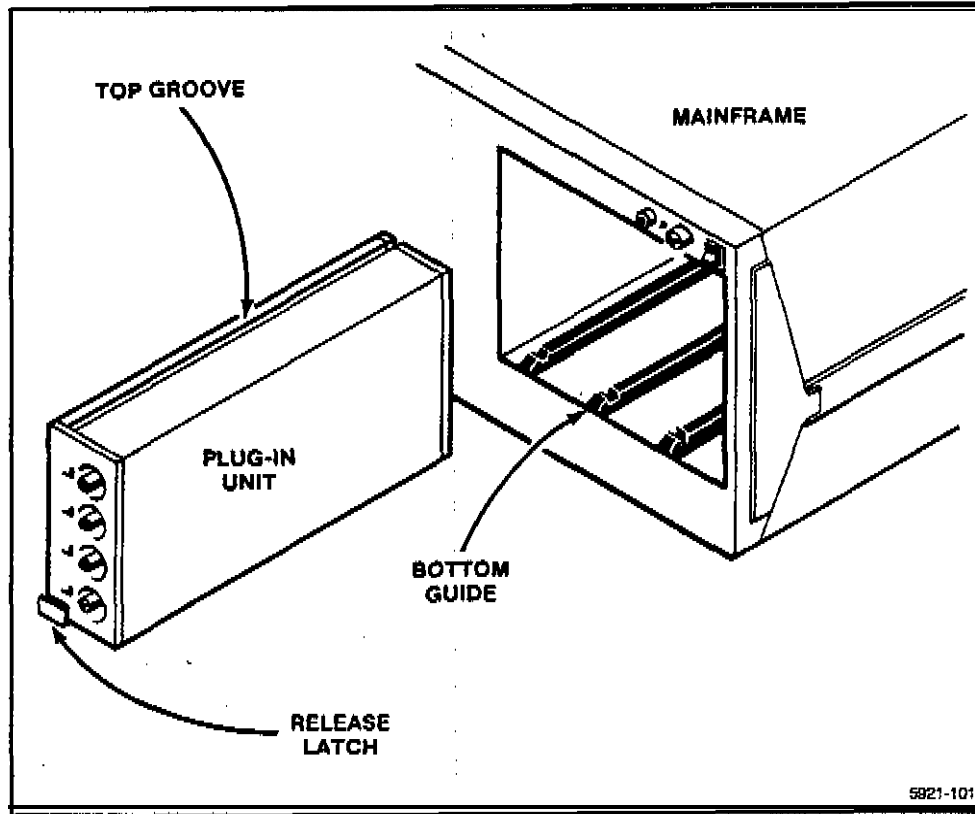


Figure 1-1. Installing a plug-in unit in a mainframe oscilloscope.

Instrument Options

Option 23 includes four P6134 probes.

Packaging for Shipment

If this **instrument** is to **be** shipped by **commercial** transportation, we recommend **that** it be packaged in the original **manner**. **The original** carton and packaging material can be saved and reused for this **purpose**.

NOTE

Package and ship plug-in units and mainframes separately.

If the **11A34** is to be **shipped** to a **Tektronix** Service Center for service or repair, **attach** a tag to the **instrument**. **On** the **tag**, include the following information:

- Name and address of the **instrument** owner;
- Name of a **person** at your firm who can **be** contacted about the instrument;
- Complete **instrument type** and **serial number**; and
- A **description** of the service **required**.

If **the original** package **is not** available or is **not** fit for use, package the **11A34** as follows:

1. Obtain a corrugated cardboard **carton** with inside dimensions at least six inches greater **than** the **instrument** dimensions. Use a carton with a test **strength** of at least **200** pounds.
2. Fully wrap the **11A34** with **anti-static** sheeting, or its equivalent, to protect the finish.
3. Cushion the **11A34** on all sides by tightly **packing dunnage** or urethane foam **between** the carton and the instrument. Allow **three** inches of packing on each side.
4. **Seal** the carton with shipping **tape** or with industrial staples.
5. Mark the address of the **Tektronix Service** Center and your **return** address on the carton in one or more prominent places.

Part 2

Operating the 11A34 in 11301 and 11302 Mainframes

Display On/Off

The 11A34 has only four front-panel controls—the display on/off buttons. Pressing a display on/off button will cause its channel, and signal, to be displayed or removed from the display (the function "toggles"). When a channel is displayed, its label (CH 1, CH 2, CH 3, or CH 4) will be lighted.

Selecting Coupling, HF Limit, and Impedance

To select the desired setting for Coupling, HF Limit, or Impedance, proceed as follows:

- 1a. If no trace is displayed, press any plug-in display on/off button to create a trace.
- 1b. If several traces are displayed, select a channel by touching the desired trace description at the top of the at.
2. Press any VERTICAL button—OFFSET, SEE, or PG. This button-press will cause the Control Menu to be displayed.
3. Touch the desired function's label. Successive touches will change its state.

Other Functions

Other 11A34 functions are controlled within the 11301 or 11302 mainframe, and their operation is described in detail in Section 2, **Operating Information**, of the 11301 and 11302 User's Reference manual. Table 2-1 shows where to find information about operating the 11A34.

TABLE 2-1
Functions And Where They **Are Described**

| Function | Described Under Heading |
|--|---|
| Offset, Size (V/div) | Waveform Acquisition: Vertical Menu; or for X-Y Display: Horizontal Menu. |
| Display \pm Ch 1, \pm Ch 2 \pm Ch 3, \pm Ch 4 | Waveform Acquisition: Vertical Menu. |
| Polarity | Waveform Acquisition: Waveform Menu. |
| Trigger Selection | Trigger Source Major Menu and Polarity |

Position and Offset

The 11301 and 11302 oscilloscopes assign position control to the Left Control knob by pressing the VERTICAL POS button. The Vertical Position control moves the trace as a user convenience. For example, when displaying multiple channels it may be desirable to set ground references for each trace on separate **graticule lines**. Position is a screen-related function; its units are divisions.

The offset function, accessed by pressing the VERTICAL OFFSET button, subtracts a **precision** voltage from the input signal. Changing offset **moves** the trace just as does the position control. However, if the deflection factor is subsequently changed, the effect is different.

Changing the sensitivity will increase or decrease the size of the display around some screen level (e.g., two divisions above **graticule** center) set by the Position control. When using a sensitivity that makes the displayed waveform larger than the screen, the Offset control is used to bring the waveform area of interest to the screen location established by the Position control.

The Position control has a range of plus and minus four divisions from **graticule** center, but the Offset control has a range defined in volts. Offset can be as much as 1000 divisions at 1 mV/division. The Offset control range is one volt for all sensitivities from 1 mV to 995 mV/division, but increases to 10 volts for sensitivities from 100 mV to 995 mV/division. For sensitivities from 1 volt to 10 volts/division, Offset control range increases to 100 volts.

The 11A34 attempts to maintain the user-selected offset voltage even though the offset range changes due to a change in sensitivity. An offset voltage of less than one volt will be maintained as the sensitivity is changed over the entire range of 1 mV/division to 10 V/division. A selected offset of greater than one volt is beyond the offset range for the most sensitive settings and will be reset to one volt when the sensitivity is increased to any value between 995 mV and 1 mV/division.

HF Limit

Two four-pole (24 dB/octave) bandwidth limit (low-pass) filters are available for each 11A34 channel. The purpose of these filters is to reduce the amplitude of unwanted noise of interference occurring at frequencies above the frequency of the signal of interest. The user has a choice of cut-off (-3 dB) frequencies, either 20 MHz or 100 MHz, independently for each channel. The bigger, auxiliary trigger, and display signal bandwidths for a channel are always the same. The auxiliary trigger is the signal sent to the right plug-in compartment.

DC Circuit Loading

AC coupling capacitors are connected differently in the 11A52 and 11A71 than in the 11A32 and 11A34. Figure 2-1 shows this difference.

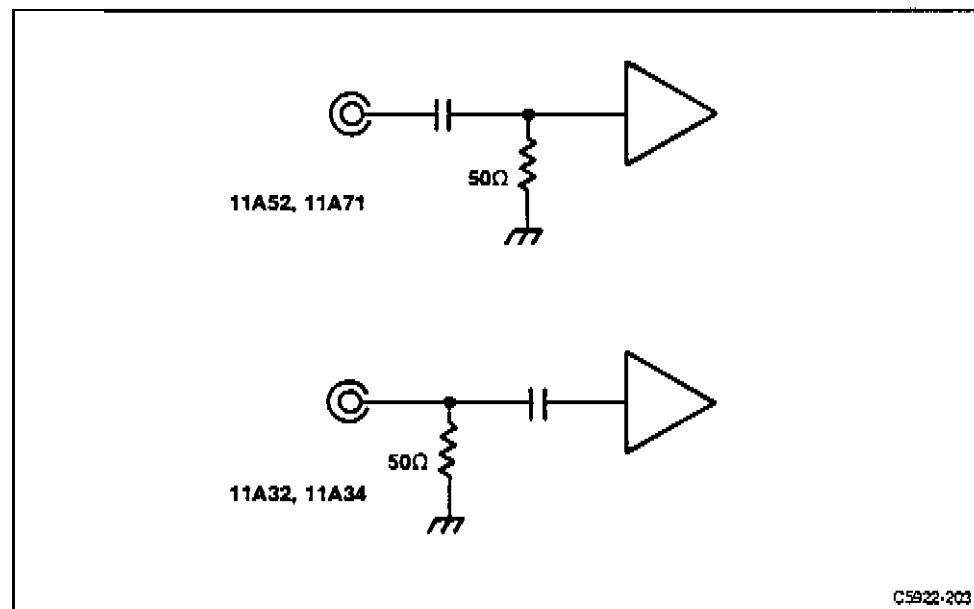


Figure 2-1. Location of AC coupling capacitors in plug-in amplifiers.

In the 11A52 and 11A71, the coupling capacitor isolates both the input termination and the amplifier from external dc voltages. However, the coupling capacitor in the 11A32 and 11A34 does not.

CAUTION

Always use caution when working with voltages in excess of 25 volts.

When 50 Ω Impedance mode is selected and input coupling is set to AC or DC, a 50 Ω termination resistance is connected directly from the 11A34 input connector to ground. Take care that the circuit connected to the 11A34 input will not be damaged by the 50 Ω load.

Switching from 1 M Ω to 50 Ω Impedance mode when more than 25 Vdc is present at the 11A34 input will exceed the peak input voltage specification and may damage the 11A34 input relay. A damaged relay could cause an error in calibration.

Adding Waveforms

NOTE

Before adding waveforms, check that each channel's display is independently on screen.

The 11301 and 11302 allow the addition of any **two** channels. That is, one channel may **be** added to a channel from another plug-in unit. A simple **restriction** applies. **Each** channel must **be** in its **linear operating range**. This is assured if each channel separately is within the **screen area** before addition.

Those portions of a trace which **are off screen** will not **be** valid when brought back on **screen** using another **channel's** input signal or Offset **control**. This **general restriction** applies to any **dual-channel oscilloscope**.

Overdrive Recovery

Overdrive occurs when any 11A34 channel is driven out of its linear range of approximately **± 15 divisions**.

The 11A34 has extraordinarily good overdrive recovery, and this feature may **be used** to **greatly** extend measurement resolution. For example, suppose a signal **changes from -1.7 V to +0.8 V in 1 ns**. The 11A34 **could be used** to determine if the **signal** stabilized immediately at **+0.8 V** or **if** perhaps had some small

aberration following the **transition**. By setting the **11A34** offset to **+0.8 V** and the sensitivity to **1 mV/division**, aberrations of just **0.1%** of the **original transition** will be **25 divisions** in amplitude (**0.1%** of **25 V** is **25 mV** or **25 divisions** at **1 mV/division**).

Any amplifier will ultimately reach **an equilibrium value**, after an input step (although its accuracy will determine how far that **equilibrium value** is from the **correct** value). The **11A34's** ability to **settle quickly** to within a very small fraction of its equilibrium value is exceptional. The time it takes **the 11A34** to settle to within a stated fraction of the equilibrium **value** is its overdrive recovery time.

Measuring the overdrive recovery time of an **11A34** takes **some** care and can lead to some surprising results. An **interesting** experiment is to use a very flat **pulse** generator, such as the Tektronix **PG 506**, to **pulse** the **11A34**. Connect the generator's **fast-rise output** to the **11A34** input through a short (one foot or less) coaxial cable and **select 50Ω** input impedance. **Adjust** the pulse **amplitude** to 1 volt Set the **11A34** sensitivity to **1 mV/division**. Each division now represents 0.1% of the input signal. Trigger the **oscilloscope** and observe the recovery of the **11A34** using **50 ns/division** sweep rate. Now **increase** the cable length by about three feet (for example, use a **42-inch** length of RG58 cable, Tektronix part **012-0057-01**) and observe the new waveform. See Figure 2-2.

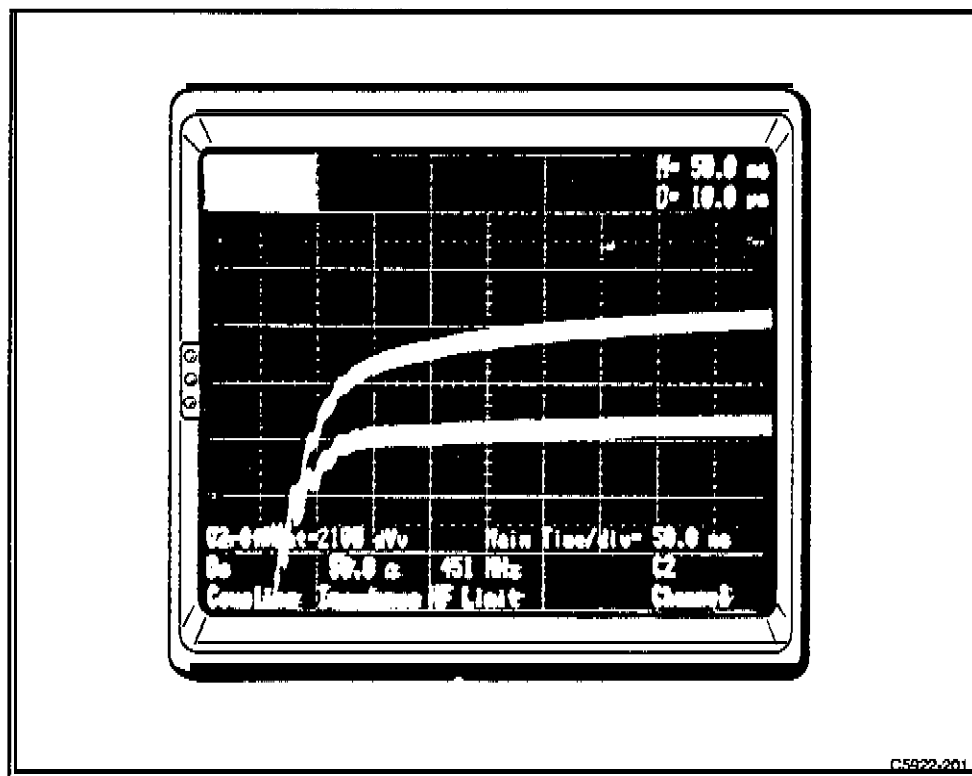


Figure 2-2. Overdrive recovery using long (top) and short (bottom) cables terminated in **50Ω**. Traces are offset two divisions and the photograph is a double exposure.

The **waveform change** is due to skin effect loss in the longer cable. What is **surprising is that the skin effect loss persists for over 200 ns even though the total cable delay is only 5 ns**. At **400 ns the** loss is still 0.02%.

This experiment shows **the** importance of using a short cable to test overdrive recovery.

A second surprise is that skin **effect** loss disappears **almost** completely (after two cable delays) when one end is unterminated.

To observe **this**, use the short cable again, and **select** 1 M Ω input impedance on the 11A34. Insert a **2X** attenuator between the cable and the pulse generator to improve the reverse termination and to provide the same amplitude signal as before. Observe the **response** and **change cables** again. Even at 0.1% per division the skin effect loss is hard to detect without **the** forward termination. The reason for this **is that** the skin effect loss is an increase in the **effective** series resistance of the cable. Without current, **the** cable develops no series voltage drop. see **Figure 23**.

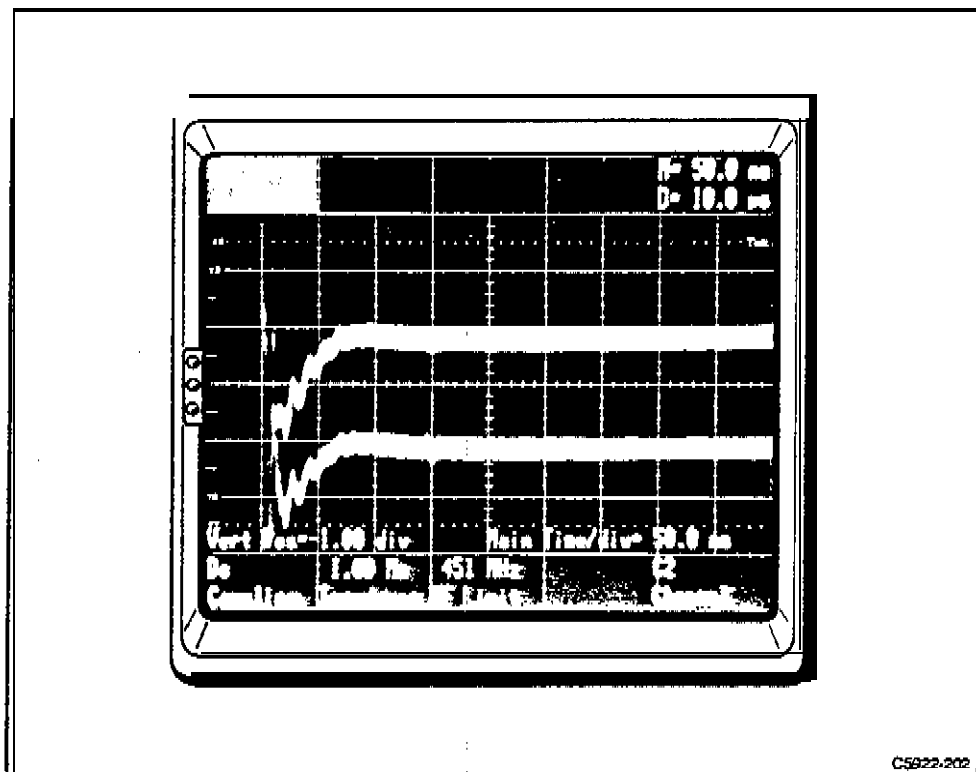


Figure 2-3. Overdrive recovery using long (top) and short (bottom) cables unterminated. Traces are offset two divisions and the photograph is a double exposure.

50Ω Overload

When the input impedance is set to 50Ω and the input voltage substantially exceeds 5 Vrms, the 11A34 will sense the overload, disconnect the 50Ω input termination, and connect the 1 MΩ termination. The Impedance menu will show 1 MΩ, and the mainframe will display the message: "Input channel N overload on LEFT/CENTER/RIGHT plugin," where N = 1, 2, 3, or 4.

To reset the input impedance to 50Ω, first correct the overload condition, then select 50Ω from the Impedance menu.

Active Probes

Using an active probe, such as the P6231, eliminates two options: AC Coupling and 1 MΩ input impedance. Coupling options available when using such a probe are Off and Dc; the only impedance available is 50Ω.

Probe ID

The Probe ID part of the Utility Menu is the means of selecting how the 11301 or 11302 responds to an ID button-push of recommended probes. All, or some combination of the following operations may be set to start in response to probe ID buttons. To display the Utility Menu, press the front-panel UTILITY button. For details, see the Probe ID part of the Waveform Acquisition subsection in the 11301 and 11302 User's Reference manual.

Pressing the probe ID button can initiate one or more of the following operations:

1. Present a new display, or if that channel is already displayed, "select" the existing trace. Pressing the ID button of a probe connected to an undisplayed left or center compartment channel will cause that channel to be displayed, unless doing so would exceed the maximum number of traces. Unlike the 11A34 display on/off button, pressing the probe ID button a second time will not remove the display. Probe ID button-presses for displayed channels will do two things: a) select the trace(s) using this channel, and b) momentarily brighten all traces using this channel.
2. Stored settings can be sequentially recalled. Pressing the probe ID button can cause a sequential recall of stored settings. The stored settings feature must be enabled using the Probe ID Utility menu. Settings must be stored as explained under STORE/RECALL Major Menu in the 11301 and 11302 User's Reference manual.

3. **The mainframe can "Autoset"** to accommodate **the** input signal introduced **by the probe**. **The Autoset feature can be enabled or disabled using the** Probe ID Utility **menu**. Autos-et is the automatic **setup** of vertical **deflection** factor, **triggering**, and sweep speed to produce a meaningful display, e.g., two **to** five divisions of **vertical** deflection and two to five repetitions of the input signal. For more information, refer to **Autoset** in the **11301** and **11302** User's **Reference** manual.
4. **The** mainframe can automatically measure the selected trace. Automatic **measurements** of the selected **trace** can **be** initiated by **pressing** a probe ID **button**. The Automatic **Measurements** feature **can** be enabled or disabled using the Probe ID utility **menu**. such **measurements** are **peak-to-peak**, maximum, middle, and minimum voltages; frequency, period, **pulse** width, and duty cycle. For full information about automatic **measurements**, see Measure in the **11301** **and 11302** User's **Reference** manual.
5. An interrupt to the **GPIB** and **RS-232-C** can be generated. Pressing a probe **ID** button **will cause** the mainframe to produce an SRQ to the **GPIB** and **RS-232-C** For more information, refer to the **GPIB/RS-232-C** part of the **11301** and **11302** User's Reference manual.

Front-Panel Error Messages

- Message: Internal DAC overflow on channel N of LEFT, CENTER, or RIGHT plug-in unit, where N = **1,2,3**, or 4.
- Cause: **Some** plug-in unit detected **that** a requested setting overflowed an **internal** DAC. Such overflow usually indicates defective hardware. In this situation, the plug-in unit **sets** the DAC to the limit nearer the **requested setting**.
- Message: **Bad Level 2 probe checksum** on channel N of LEFT, **CENTER**, or RIGHT plug-in unit, where N = **1,2,3** or 4.
- Cause: **Some** plug-in unit **detected** that a **Level 2** TEKPROBE had failed **or been** improperly connected.

GPIB and RS-232-C Commands and Syntax

The following commands set parameters of a specified channel.

| Header | Link | Argument | | |
|--|--|---|--|---|
| CH<L1, L2, L3, L4, C1, C2, C3, C4, R1, R2, R3, R4> | COWLING: | AC DC OFF | | |
| | OFFSET: ¹ | <NR> | | |
| | Volts/div | Offset Range | Resolution via RS-232-C, GPIB, or Numeric Entry | Step Size via front-panel Control knob |
| | 1 mV to 99.5 mV 100 mV to 995 mV 1 V to 10 V | ±1 V ±10 V ±100 V | 25E-6 250E-6 2.5E-3 | (Coarse: 0.25 div. Fine: 0.025 div. |
| | BWHL: | <NR> ≤24E6 >24E6 to ≤120E6 >120E6 | HF Limit 20E6 100E6 250E6, 11301 250E6, 11302 | |
| | IMPEDANCE: | <NR> <1E3 ≥1E3 | Impedance 50 1E6 | |
| | SENSITIVITY: ¹ | Sensitivity 1E-3 to 1.ssE-3 2E-3 to 4.98E-3 5E-3 to 9.95E-3 10E-3 to 19.9E-3 20E-3 to 49.8E-3 50E-3 to 99.5E-3 100E-3 to 199E-3 200E-3 to 498E-3 500E-3 to 995E-3 1 to 1.99 2 to 4.98 5 to 10 | Resolution (step size) 10E-6 20E-4 ME ⁶ 100E-6 200E-6 MOE-6 1E-3 2E-3 SE-3 10E-3 20E-3 ME-3 | |
| | UNITS: | <qstring> (query only) The 11A34 answers a Units query with a units status message, which indicates the units of conversion of a probe connected to its Ch N input. | | |

¹ The numbers listed are those available at the input connectors. Connecting an attenuating probe will change the value by the probe attenuating factor (e.g., a 10X probe will change the value ±10 to ±100).

| Header | Link | Argument |
|--|--------|--|
| CH<L1,L2,L3, L4,C1,C2,C3,C4 R1,R2,R3,R4> (cont) | PROBE: | <qstring> (query only) This query-only link returns a quoted string indicating what type of probe is connected to the input. If a Level 1 TEKPROBE is connected, the query response is "Level 1." If a Level 2 TEKPROBE is connected, the query response is "Level 2/<probe_type>/<serial_number>." When neither Level 1 nor Level 2 TEKPROBE is connected, the query response is "NONE." |

Legend:

- CH<L1, L2, L3, L4, C1, C2, C3, C4, R1, R2, R3, R4> L, C, and R mm Left, Center, and Right plug-in compartments; 1, 2, 3, and 4 mean Channel 1, Channel 2, Channel 3, and Channel 4, respectively.
- COUPLING Sets the specified channel input coupling.
- OFFSET Sets the specified channel offset.
- BWHI Sets the HF Limit (bandwidth) of the specified channel.
- NRx Numeric representation.
- IMPEDANCE Sets the input impedance of the specified channel.
- SENSITIVITY Sets the deflection factor of the specified channel. Sensitivity is a channel-specific command which does not apply to compound waveforms.
- qstring Quoted string data.

Part 3

Operating the 11A34 in 11401 and 11402 Mainframes

Display On/Off

The 11A34 has only four front-panel controls—the display on/off buttons. Pressing a display on/off button will cause its channel, and signal, to be displayed or removed from the display (the function “toggles”). When a channel is displayed, its label (CH 1, CH2, CH3, CH 4) will be lighted.

Other Functions

All other 11A34 functions are controlled within the 11401/11402 oscilloscope, and their operation is described in the 11401 and 11402 User's Reference manual. Table 3-1 shows where to find information about operating the 11A34.

TABLE 3-1
Functions And Where They Are Described

| Function | Described under Heading ¹ |
|----------------------------|--|
| Vertical Offset | Vertical Size and Position. |
| Vertical Sii (sensitivity) | Vertical Size and Position |
| Coupling (AC, DC, Off) | Selecting Channel Coupling. |
| Select 11A34 Channel | Displaying Waveforms (an alternative to pressing the 11A34 display on/off button). |
| Input Impedance | Selecting Channel Input Impedance. |
| Offset | Vertical Position. |
| BW Limit | Selecting Channel Bandwidth Limit. |
| Display Polarity | vertical Description. |

¹Under Waveform Control in Section 2, Operating Information.

Vertical Offset

The 11401 and 11402 oscilloscopes use offset to position the trace on the screen. In YT (signal vs. time) mode offset determines vertical position, but when a plug-in unit provides the X component of an XY display, offset controls horizontal position.

Offset is an input-signal-related-control, and its units are those of the input signal...usually volts.

Offset subtracts a precision voltage from the input signal. To access the offset function, touch the double-ended arrow at the left edge of the screen. Control of offset is then assigned to the Lower Control knob.

In the 11401 and 11402, changing the vertical deflection factor magnifies or compresses the displayed signal about screen center. Therefore, to examine a portion of the input signal in greater detail, use Vert Offset (the Lower Control knob) to position the area of interest to screen center. Next, use the Vert Size (the Upper Control knob) to adjust the display to the size needed for detailed examination.

BW Limit

Two four-pole (24 dB/octave) bandwidth limit (low-pass) filters are available for each 11A34 channel. The purpose of these filters is to reduce the amplitude of unwanted noise or interference occurring at frequencies above the frequency of the signal of interest. The user has a choice of cut-off (-3 dB) frequencies, either 20 MHz or 100 MHz, independently for each channel. The trigger, auxiliary trigger, and display signal bandwidths for a channel are always the same. The auxiliary trigger is the signal sent to the right plug-in compartment.

DC Circuit Loading

AC coupling capacitors are connected differently in the 11A52 and 11A71 than in the 11A32 and 11A34. Figure 3-1 shows this difference.

In the 11A52 and 11A71, the coupling capacitor isolates both the input termination and the amplifier from external dc voltages. However, the coupling capacitor in the 11A32 and 11A34 does not.

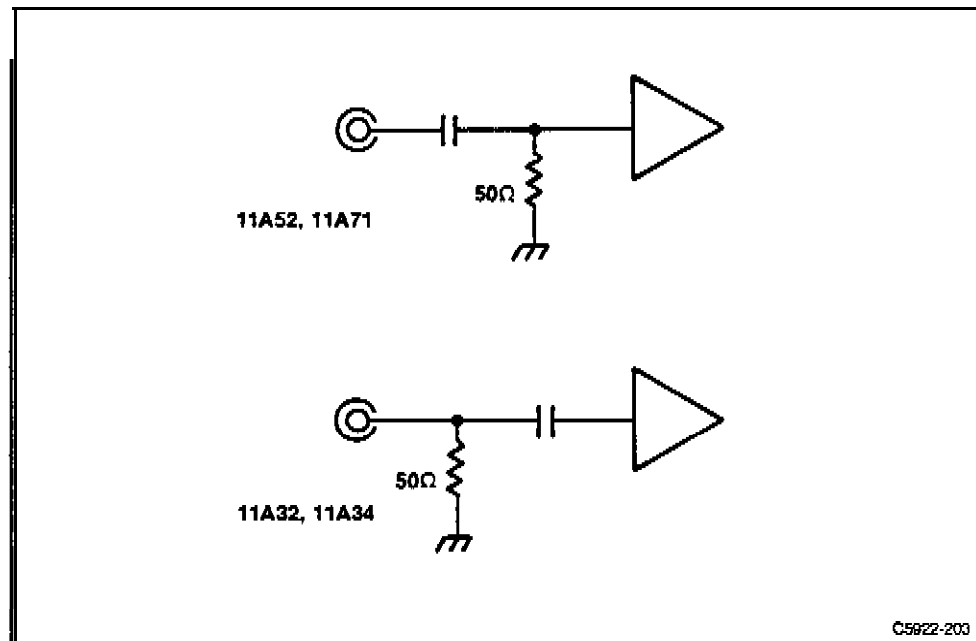


Figure 3-1. Location of AC coupling capacitors in plug-in amplifiers.

CAUTION

Always use caution when working with voltages in excess of 25 volts.

When 50Ω Impedance mode is selected and input coupling is set to AC or DC, a 50Ω termination resistance is connected directly from the 11A34 input connector to ground. Take care that the circuit connected to the 11A34 input will not be damaged by the 50Ω load.

Switching from 1 MΩ to 50Ω Impedance mode when more than 25 Vdc is present at the 11A34 input will exceed the peak input voltage specification and may damage the 11A34 input relay. A damaged relay could cause an error in calibration.

Adding and Subtracting Waveforms

The 11401 and 11402 mainframes do not allow the addition or subtraction of live waveforms without restriction. The reason for this lies in the manner in which samples are taken and used by the mainframe. Each plug-in compartment has an associated sampler in the 11401 or 11402. Samples are taken simultaneously by each sampler. A channel from one plug-in unit may be added to or subtracted from that of another plug-in unit accurately by virtue of this simultaneity. Thus noise and other signals unrelated to the trigger will be canceled when channels in different plug-in units are subtracted.

Signals from different channels within a plug-in unit are sampled at different times. Signals that are entirely repetitive and related to the trigger signal may be successfully added or subtracted in spite of this. However, signals that are not repetitive or related to the trigger will not be sampled at the same time, and may not be displayed correctly. Therefore it is preferable that signals to be added or subtracted be selected from different plug-in compartments.

The best common-mode rejection is obtained with a differential amplifier plug-in unit because its hardware subtracts the signals at its two inputs, passing only the result to the mainframe.

Even when using channels from different plug-in compartments, the following two problems limit the accuracy of sums or differences:

1. Each waveform in memory is constantly being updated, and therefore consists of some points that are "older" than others. Although samples may be taken simultaneously, there is a chance that a correct sample may be replaced in memory with a newer value before the waveform is processed and displayed.
2. Delay differences between channels of different plug-in units due to probe cable length differences are normally removed by deskewing the probes and the associated amplifier channel. Samples are still taken simultaneously, but the display is manipulated to remove time differences. Signals correlated to the trigger signal are correctly restored to their proper time relationship, but there is no way for signals unrelated to the trigger to be corrected with this deskewing technique. High-frequency rejection of signals unrelated to the trigger is not improved by deskewing.

The solution to both problems is to invoke averaging. The averaging process suppresses all signals and noise unrelated to the trigger.

Overdrive Recovery

Overdrive occurs when any 11A34 channel is driven out of its linear range of approximately ± 15 divisions.

The 11A34 has extraordinarily good overdrive recovery, and this feature may be used to greatly extend measurement resolution. For example, suppose a signal changes from -1.7 V to $+0.8$ V in 1 ns. The 11A34 could be used to determine if the signal stabilized immediately at $+0.8$ V or if perhaps had some small aberration following the transition. By setting the 11A34 offset to $+0.8$ V and the sensitivity to 1 mV/division, aberrations of just 0.1% of the original transition will be 2.5 divisions in amplitude (0.1% of 25 V is 25 mV or 2.5 divisions at 1 mV/division).

Any amplifier will ultimately reach an equilibrium value after an input step (although its accuracy will determine how far that equilibrium value is from the correct value). The 11A34's ability to settle quickly to within a very small fraction of its equilibrium value is exceptional. The time it takes the 11A34 to settle to within a stated fraction of the equilibrium value is its overdrive recovery time.

Measuring the overdrive recovery time of an 11A34 takes some care and can lead to some surprising results. An interesting experiment is to use a very flat pulse generator, such as the Tektronix PG 506, to pulse the 11A34. Connect the generator's fast-rise output to the 11A34 input through a short (one foot or less) coaxial cable and select 50Ω input impedance. Adjust the pulse amplitude to 1 volt. Set the 11A34 sensitivity to 1 mV/division. Each division now represents 0.1% of the input signal. Trigger the oscilloscope and observe the recovery of the 11A34 using 50 ns/division sweep rate. Now increase the cable length by about three feet (for example, use a 42-inch length of RG-58 cable, Tektronix part 012005701) and observe the new waveform. See Figure 3-2.

The waveform change is due to skin effect loss in the longer cable. What is surprising is that the skin effect loss persists for over 200 ns even though the total cable delay is only 5 ns. At 400 ns the loss is still 0.02%.

This experiment shows the importance of using a short cable to test overdrive recovery.

A second surprise is that skin effect loss disappears almost completely (after two cable delays) when one end is unterminated.

To observe this, use the short cable again, and select 1 M Ω input impedance on the 11A34. Insert a 2X attenuator between the cable and the pulse generator to improve the reverse termination and to provide the same amplitude signal as before. Observe the response and change cables again. Even at 0.1% per division the skin effect loss is hard to detect without the forward termination.

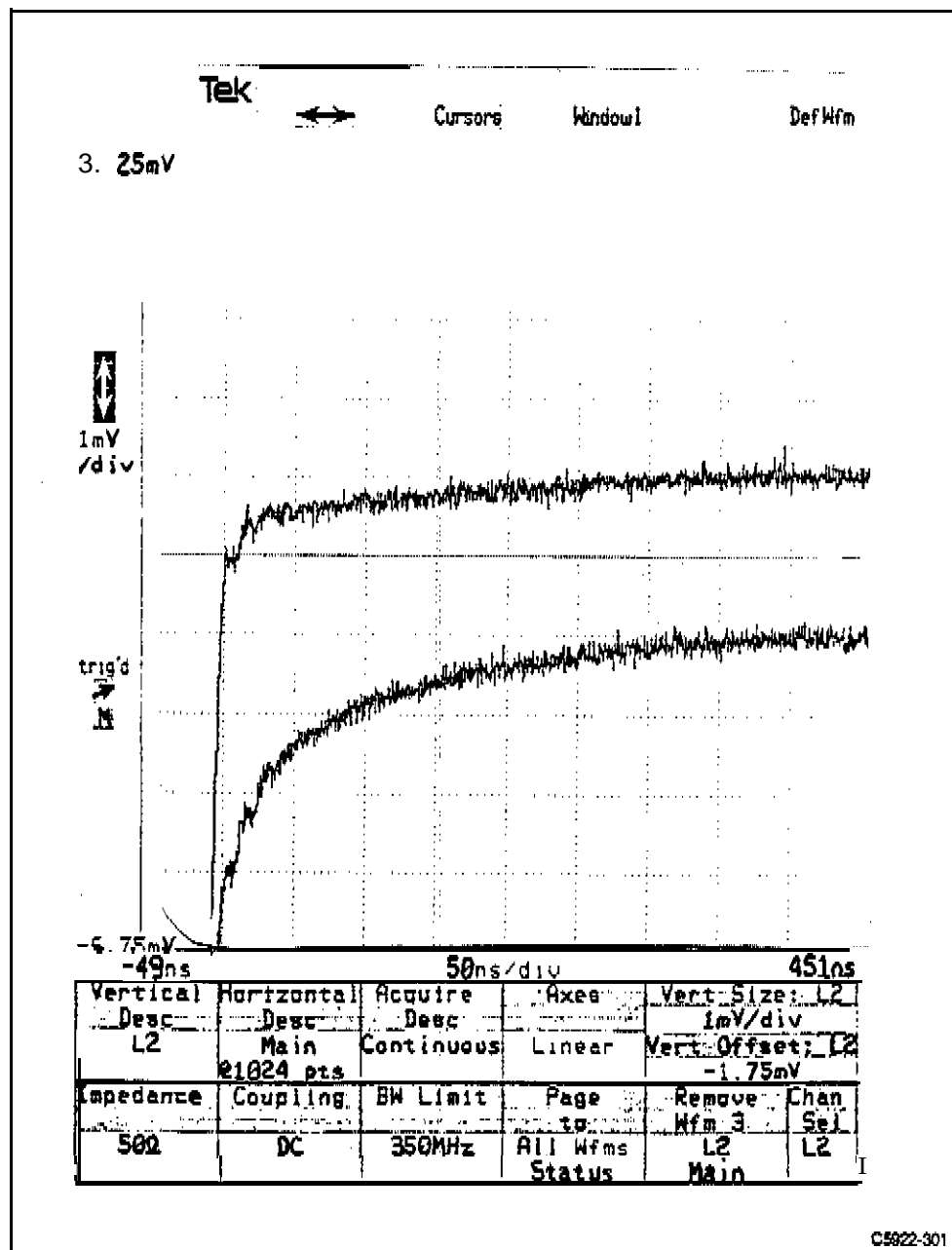


Figure 3-2. Overdrive recovery using short (top) and long (bottom) cables terminated in 50 Ω. Traces are offset two divisions and the illustration is a composite of two waveforms.

The reason for this is that the skin effect loss is an increase in the effective series resistance of the cable. Without current, the cable develops no series voltage drop. See Figure 3-3.

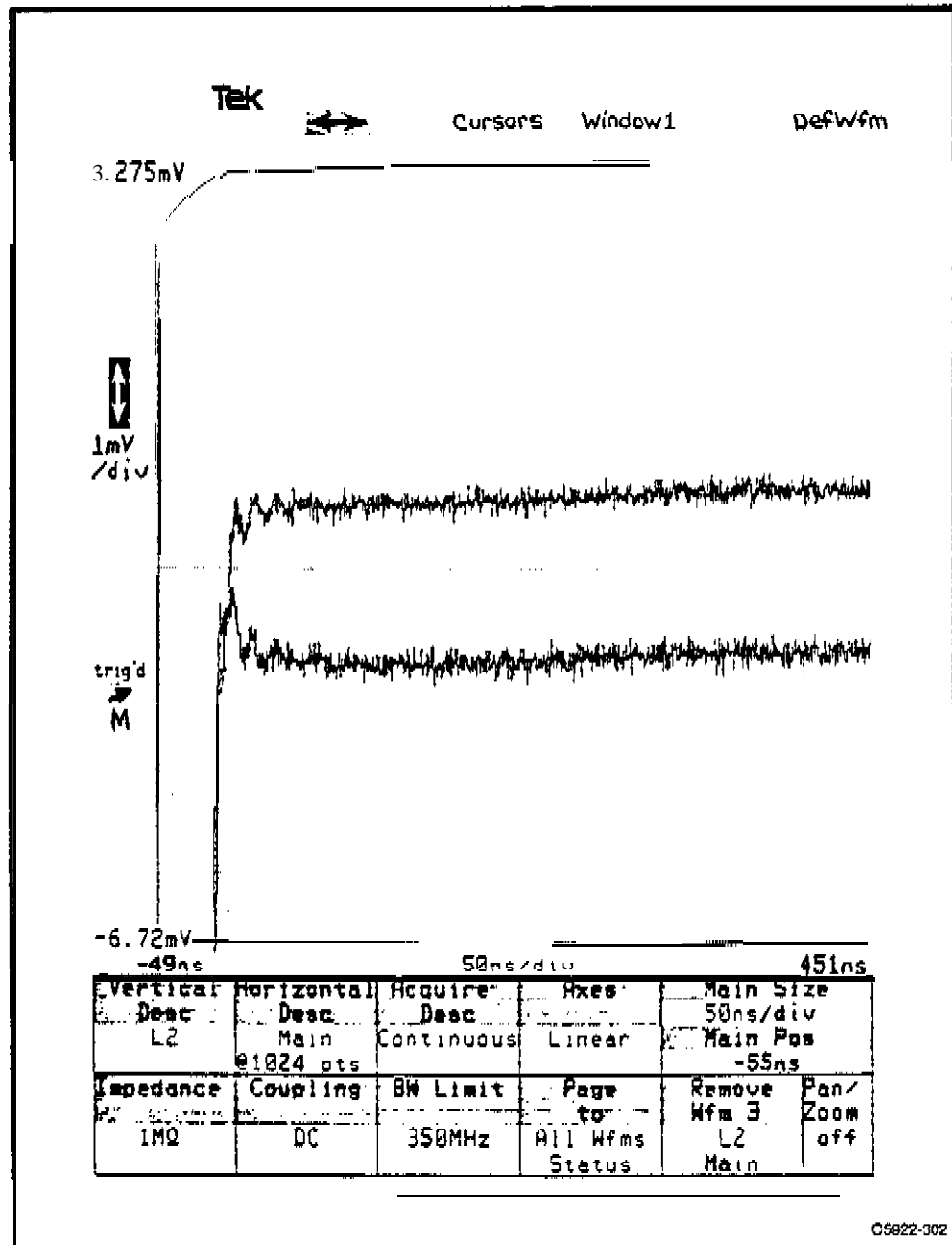


Figure 3-3. Overdrive recovery using short (top) and long (bottom) cables unterminated. Traces are offset two divisions and the illustration is a composite of two waveforms.

50Ω Overload

When the input impedance is set to 50Ω and the input voltage substantially exceeds 5 V_{rms}, the 11A34 will sense the overload, disconnect the 50 Ω input termination and connect the 1 MΩ termination. The Impedance menu will show 1 MΩ, and the mainframe will display the message: "Input channel N overload on LEFT/CENTER/RIGHT plugin," where N = 1, 2, 3, or 4.

To reset the input impedance to 50 Ω, first correct the overload condition, then select 50Ω from the Impedance menu.

Active Probes

Using an active probe, such as the P6231, eliminates two options: AC Coupling and 1 MΩ input impedance. Coupling options available when using such a probe are Off and DC; the only Impedance available is 50Ω.

Probe ID

The Probe ID function is the means of selecting how the 11401 or 11402 responds to an ID button-push of recommended probes. (The Probe ID Function is part of the Probes pop-up menu, which is selected from the Utilities major menu.) All, or some combination of the following operations may be set to start in response to probe ID buttons. To display the Utility major menu, press the front-panel UTILITY button. For details, see the Probe Calibration and ID Function part of the Utilities subsection in the 11401 and 11402 User's Reference manual.

Pressing the probe ID button can initiate one of the following operations:

1. If the Probe ID function (in the Probes pop-up menu of the Utility major menu) is set to Sequence Settings, the next front-panel setting will be recalled. If the Probe ID Function is not set to Sequence Settings, then operation 2 or 3, which involve a new waveform and waveform selection, will occur.

If the Sequence Settings option is enabled, front-panel settings can be sequentially recalled via the Probe ID function. The settings must be stored as explained under Storing or Recalling Waveforms in the 11401 and 11402 User's Reference manual.

2. If the Probe ID Function (in the Probes pop-up menu of the Utility major menu) is set to Waveform Select/New Wfm, a waveform will be selected. Figure 3-4 shows the sequence of decisions used to select a new waveform.

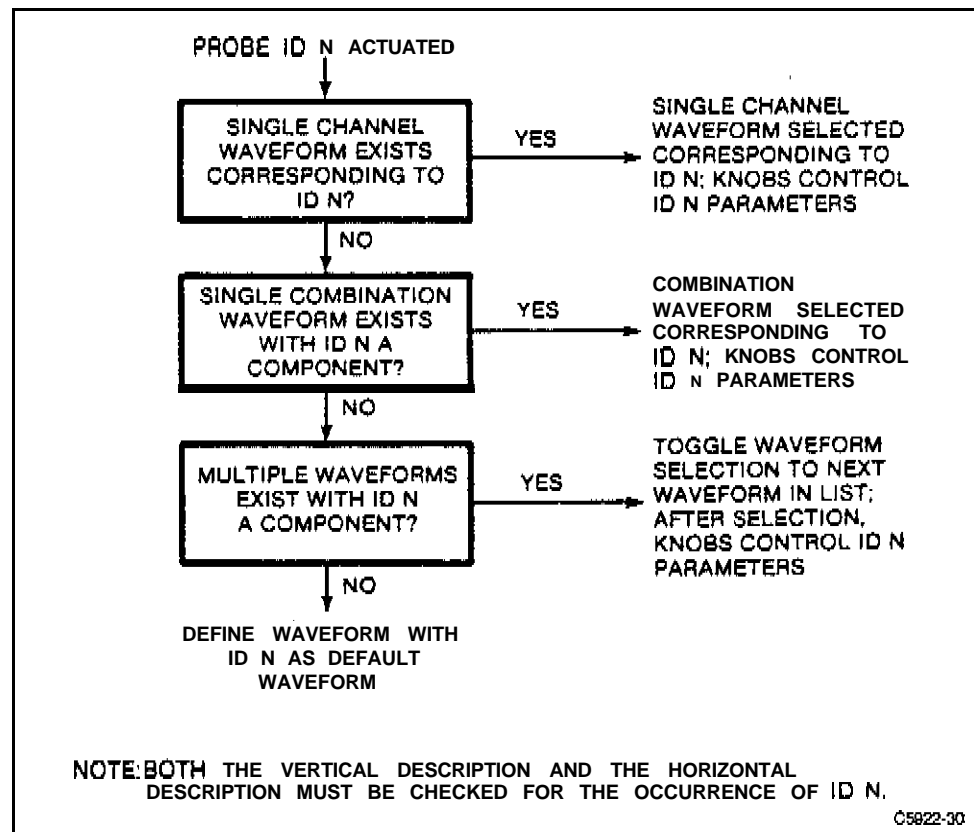


Figure 3-4 Sequence of decisions used to select a new waveform in response to probe ID button

3. If the Probe ID Function is set to Wfm **Select/New Wfm & AutoSet**, then the decisions shown in Figure 3-4 will be made, and the resulting selected waveform is **autoset**.

Events 1, 2, and 3 are mutually exclusive. Event 4 may be combined with any one of them.

4. If the IDPROBE SRQMASK is enabled, an appropriate event will be returned to the GPIB and RS-232-C ports.

Front-Panel Error Messages

Message: Internal DAC overflow on channel N of LEFT, CENTER, or RIG: HT plug-in unit, where N = 1, 2, 3, or 4.

Cause: Some plug-in unit detected that a requested setting overflowed an internal DAC. Such overflow usually indicates defective hardware. In this situation, the plug-in unit sets the DAC to the limit nearer the requested Wing.

Message: Bad Level 2 probe checksum on channel N of LEFT, CENTER, or RIGHT plug-in unit, where N = 1, 2, 3, or 4.

Cause: Some plug-in unit detected that a Level 2 TEKPROBE had failed or been improperly connected.

GPIB and RS-232-C Commands and Syntax

The following commands set parameters of a specified channel.

| Header | Link | Argument | | | |
|--|--|--|--|---------|---|
| CH<L1, L2, L3, L4, C1, C2, C3, C4, R1, R2, R3, R4> | COUPLING: | AC DC OFF | | | |
| | OFFSET: ¹ | <NRx> | | | |
| | Volts/div | Offset Range | Resolution via RS-232-C or Numerical | MB, try | Step Size via front-panel Control knob |
| | 1 mV to 99.5 mV 100 mV to 995 mV 1 V to 10V | ±1 V ±10 V ±100 V | 25E-4 250E-4 2.5E-3 | | { Coarse: 0.25 div. Fine: 0.025 div. |
| | BW: | <NRx> ≤24E6 >24E6 to ≤120E6 >120E6 | Bandwidth 20E6 100E6 300E6, 11401 300E6, 11402 | | |
| | IMPEDANCE: | <NRx> <1E3 ≥1E3 | Impedance 50 1E6 | | |
| | SENSITIVITY: ¹ | Sensitivity 1E-3 to 1.99E-3 2E-3 to 498E-3 5E-3 to 9.95E-3 10E-3 to 19.9E-3 20E-3 to 49.8E-3 50E-3 to 99.5E-3 100E-3 to 199E-3 200E-3 to 498E-3 500E-3 to 995E-3 1 to 1.99 2 to 4.98 5 to 10 | Resolution (step size) 10E-6 20E-6 50E-6 100E-6 200E-6 500E-6 1E-3 2E-3 5E-3 10E-3 20E-3 50E-3 | | |
| UNITS: | <qstring> (query only) The 11A34 answers a Units query with a units status message, which indicates the units of conversion of a probe connected to its Ch N input. | | | | |

¹The numbers listed are those available at the input connectors. Connecting an attenuating probe will change the value by the probe attenuating factor (e.g., a 10X probe will change the value ±10 to ±100).

| Header | Link | Argument |
|--|--------|--|
| CH1<L1,L2,L3, L4,C1,C2,C3,C4, R1,R2,R3,R4> (cont) | PROBE: | <qstring> (query only) This query-only link returns a quoted string indicating what type of probe is connected to the input. If a Level 1 TEKPROBE is connected, the query response is "Level 1." If a Level 2 TEKPROBE is connected, the query response is "Level 2/<probe_type>/<serial_number>." When neither Level 3 nor Level 2 TEKPROBE is connected, the query response is "NONE." |

Legend:

- CH<L1, L2, L3,
L4, C1, C2, C3, C4,
R1, R2, R3, R4> L, C, and R mean Left, Center, and Right plug-in compartments; 1, 2, 3 and 4 mean Channel 1, Channel 2 Channel 3, and Channel 4, respectively..
- COUPLING Sets the specified channel input coupling.
- OFFSET Sets the specified channel offset.
- BW Sets the HF Limit (bandwidth) of the specified channel.
- NRx Numeric representation.
- IMPEDANCE Sets the input impedance of the specified channel.
- SENSITIVITY Sets the deflection factor of the specified channel. Sensitivity is a channel-specific command which does not apply to compound waveforms.
- qstring Quoted string data.

Part 4 Specification

Performance Conditions

The specifications that follow apply when the instrument is in the condition of Enhanced Accuracy. Enhanced Accuracy is obtained by performing an Enhanced Calibration in the specific host mainframe after the system has reached thermal equilibrium, which requires 20 minutes warmup. Enhanced Accuracy is indicated on the crt display and remains in effect as long as the mainframe internal temperature change is less than 5° C from the temperature at which the calibration was performed. When the 5° C change does occur the accuracy condition becomes Not-Enhanced. In the Not-Enhanced condition those Characteristics that are temperature sensitive may not remain within the limits of these specifications. The instrument specifications are valid at an ambient temperature of 0° to +50° c, unless otherwise stated.

TABLE 4-1
Electrical Characteristics

| Characteristic | Performance Requirement | | |
|---|-------------------------|--------------------|------------------|
| DISPLAY | | | |
| DEFLECTION FACTOR (Sensitivity) | | | |
| Calibrated Range | 1 mV to 10V/div. | | |
| Enhanced DC Accuracy ¹ , either polarity, any HF Limit of 11A34 in 11301/11302 Mainframes, with on-screen cursors. | | | |
| Without Probes | | | |
| Volts/Div | ΔV DC Acc. | DC Balance | WC Offset Acc. |
| 1 mV to 99.5 mV | ±(1.0% + 0.04div) | ±(1mV + 0.13div) | ±(0.20% + 0.5mV) |
| 100 mV to 995 mV | ±(1.0% + 0.04div) | ±(10mV + 0.13div) | ±(0.25% + 5mV) |
| 1 V to 10 V | ±(1.0% + 0.04div) | ±(100mV + 0.13div) | ±(0.25% + 50mV) |
| With P6134 Probe calibrated from 11301/11302 Calibrator output | | | |
| Volts/Div | ΔV WC Acc. | DC Balance | DC Offset Acc. |
| 10 mV to 995 mV | ±(1.0% + 0.04div) | ±(12mV + 0.13div) | ±(0.25% + 5mV) |
| 1 V to 9.95 V | ±(1.0% + 0.04div) | ±(120mV + 0.13div) | ±(0.25% + 50mV) |
| 10 V to 100 V | ±(1.0% + 0.04div) | ±(1.2V + 0.13div) | ±(0.25% + 0.5V) |
| Probe tip TC term | 100 ppm/°C | na | na |

¹For absolute dc accuracy of single-point measurements using Offset, add the DC Offset Accuracy, DC Balance and ΔV DC Accuracy terms. Apply the ΔV DC Accuracy only to the difference between the Vertical Position setting and the measurement point.

cc. 186
6-17

4TBPV 163

Electrical Characteristics

TABLE 41 (cont)
Electrical Characteristics

| Characteristic | Performance Requirement |
|----------------|-------------------------|
|----------------|-------------------------|

DISPLAY (cont)

DEFLECTION FACTOR (Sensitivity), cont.

With P6231 Probe calibrated from 11301/11302 Calibrator output

| Volts/Div | AV DC Acc. | DC Balance | DC Offset Acc. |
|-------------------|---------------------------------|---------------------------------------|------------------------------|
| 10 mV to 995 mV | I $\pm(1.1\% + 0.04\text{div})$ | I $\pm(10\text{mV} + 0.13\text{div})$ | I $\pm(0.20\% + 2\text{mV})$ |
| $\geq 1\text{ V}$ | $\pm(1.1\% + 0.04\text{div})$ | $\pm(100\text{mV} + 0.13\text{div})$ | $\pm(0.20\% + 2\text{mV})$ |
| Probe Tip TC term | 100 ppm/ $^{\circ}\text{C}$ | | |

Enhanced DC Accuracy¹, either polarity, any BW Limit, of 11A34 in 11401/11402 Mainframes.

Without Probes

| Volts/Div | AV DC Acc. | DC Balance | DC Offset Acc. |
|------------------|----------------------------------|--------------------------------------|-------------------------------|
| 1 mV to 99.5 mV | I $\pm(0.9\% + 0.012\text{div})$ | $\pm(1\text{mV} + 0.10\text{div})$ | $\pm(0.20\% + 0.50\text{mV})$ |
| 100 mV to 995 mV | $\pm(0.9\% + 0.012\text{div})$ | $\pm(10\text{mV} + 0.10\text{div})$ | $\pm(0.25\% + 5\text{mV})$ |
| 1 V to 10 V | $\pm(0.9\% + 0.012\text{div})$ | $\pm(100\text{mV} + 0.10\text{div})$ | $\pm(0.25\% + 50\text{mV})$ |

With P6134 Probe calibrated from 11401/11402 Calibrator output

| Volts/Div | $\Delta\text{V DC Acc.}$ | DC Balance | DC Offset Acc. |
|-------------------|--------------------------------|--------------------------------------|-----------------------------|
| 1 V to 995 V | $\pm(0.9\% + 0.012\text{div})$ | $\pm(7.0\text{mV} + 0.10\text{div})$ | $\pm(0.25\% + 5\text{mV})$ |
| 1V to 9.95 v | $\pm(0.9\% + 0.012\text{div})$ | $\pm(70\text{mV} + 0.10\text{div})$ | $\pm(0.25\% + 50\text{mV})$ |
| 10 V to 100 V | $\pm(0.9\% + 0.012\text{div})$ | $\pm(0.7\text{V} + 0.10\text{div})$ | $\pm(0.25\% + 0.5\text{V})$ |
| Probe tip TC term | 100 ppm/ $^{\circ}\text{C}$ | na | na |

With P6231 Probe calibrated from 11401/11402 Calibrator output

| Volts/Div | $\Delta\text{V DC Acc.}$ | DC Balance | DC Offset Acc. |
|-------------------|--------------------------------|--------------------------------------|----------------------------|
| 10 mV to 995 mV | $\pm(1.0\% + 0.012\text{div})$ | I $\pm(5\text{mV} + 0.10\text{div})$ | $\pm(0.20\% + 2\text{mV})$ |
| $\geq 1\text{ V}$ | $\pm(1.0\% + 0.012\text{div})$ | $\pm(50\text{mV} + 0.10\text{div})$ | $\pm(0.20\% + 2\text{mV})$ |
| Probe Tip TC term | 100 ppm/ $^{\circ}\text{C}$ | | |

¹For absolute dc accuracy of single-point measurements using Offset, add the DC Offset Accuracy, DC Balance and $\Delta\text{V DC Accuracy}$ terms. Apply the $\Delta\text{V DC Accuracy}$ only to the difference between the Vertical Position setting and the measurement point.

TABLE 1 (cont)
Electrical Characteristics

| Characteristic | Performance Requirement |
|----------------|-------------------------|
|----------------|-------------------------|

DISPLAY (cont)

DEFLECTION FACTOR (Sensitivity), cont.

C-Resolution | 1, 2, 5 sequence.

Fine Resolution depends on
Deflection Factor, as follows:

Rotating the **Fine** control one increment will change the Deflection Factor by 1% of the next **more-sensitive Coarse** setting.

For **example**, with deflection factor set to 198 mV, rotating the **Fine control counterclockwise** will cause this sequence of sensitivities: 199 mV, 200 mV, 202 mV, etc. Rotating the **Fine control clockwise** from 204 mV/div will cause the reverse sequence (202 mV, 200 mV, 199 mV, etc.).

OFFSET

| | |
|---|---|
| Accuracy | See Deflection Factor Accuracy , which precedes this characteristic. |
| Range, Resolution depend on Deflection Factor, as follows: | |
| between 1 mV and 995 mV/div. | ±1 V. Coarse and fine resolution are 0.25 div. (250 µV) and 0.025 div. (25 µV), respectively. |
| between 0.1 V and 0.995 V/div. | ±10 V. Coarse and fine resolution are 0.25 div. (2.5 mV) and 0.025 div. (250 µV), respectively. |
| between 1 V and 10.0 V/div. | ±100 V. Coarse and fine resolution are 0.25 div (25 mV) and 0.025 div. (2.5 mV), respectively. |

TABLE 41 (cont)
Electrical Characteristics

| Characteristic | Performance Requirement | | | |
|--|--------------------------|-------------------|-------------------|-------------------|
| DISPLAY (cont) | | | | |
| FREQUENCY RESPONSE (0° to +35° C) | | | | |
| High Frequency Limit (-3dB point) of Display, Auxiliary, & Trig signals, Z _{in} =50Ω and calculated Rise Time | Type of Mainframe | | | |
| | 11301 | 11302 | 11401 | 11402 |
| Volts/Division | | | | |
| ≥10 mV | 250 MHz 1.4 ns | 250 MHz 1.4 ns | 300 MHz 1.2 ns | 300 MHz 1.2 ns |
| 5 mV - 9.95 mV | 200 MHz 1.8 ns | 250 MHz 1.4 ns | 250 MHz 1.4 ns | 250 MHz 1.4 ns |
| 2 mV - 4.98 mV | 200 MHz 1.8 ns | 200 MHz 1.8 ns | 200 MHz 1.8 ns | 200 MHz 1.8 ns |
| 1 mV - 1.99 mV | 150 MHz 2.3 ns | 150 MHz 2.3 ns | 150 MHz 2.3 ns | 150 MHz 2.3 ns |
| High Frequency -3dB point | | | | |
| 100 MHz Limit | 100 MHz ±30%. | | | |
| 20 MHz Limit | 20 MHz ±30%. | | | |
| Low Frequency -3 dB point, ac coupled Display, Trig. and Auxiliary signals | 10 Hz maximum. | | | |

TABLE 4-1 (cont)
Electrical Characteristics

| characteristic | Performance Requirement |
|--|--|
| INPUT CHARACTERISTICS | |
| Maximum Input Voltage, DC Coupled, $Z = 1\text{ M}\Omega$ | $\pm 500\text{ V}$ (dc+peak ac). Derate at 20 dB per decade from 1 MHz to 5.0 V at 100 MHz. |
| Maximum Input Voltage, AC Coupled, $Z = 1\text{ M}\Omega$ | $\pm 500\text{ V}$ (dc+peak ac). Derate at 20 dB per decade from 1 MHz to 5.0 V at 100 MHz. |
| Maximum Input Voltage, AC or DC Coupled, $Z = 50\Omega$ | 5 Vrms (0.5 W) or 0.5 watt-second pulses not exceeding 25 v peak. |
| Input Disconnect Threshold | 5 Vrms minimum. |
| Input Impedance (50 Ω , dc coupled) | 50 Ω within 1/2%; VSWR less than 1.25:1 for V/div < 1 v; VSWR less than 1.3:1 for V/div from 1 V to 10 V, dc to 350 MHz. |
| Input Impedance (1 M Ω , dc coupled) | 1 M Ω within 1/2% in parallel with approximately 15 pF. |
| Input Impedance (1 M Ω , ac coupled) | 1 M Ω within 1/2%, in series with 0.022 μF and in parallel with approximately 15 pF. |
| Input Bias current (I° to C) | Less than 100 pA. |

TABLE 41 (cont)
Electrical Characteristics

| Characteristic | Performance Requirement |
|-----------------------------|--|
| MISCELLANEOUS | |
| Overdrive Recovery Time | |
| 1 mV to 9.95 mV/div | <50 ns to 0.3% + 0.2 div for Vin of <2.0 V. |
| 100 mV to 995 mV/div | <50 ns to 1.0% for Vin of <20 V. |
| 1.0 V to 10.0 V/div | <50 ns to 1.0% for Vin of <200 V. |
| Typical Noise | |
| 1.0 mV to 1.99 mV/div | 0.12 div, rms. |
| 20 mV to 4.98 mV/div | 0.06 div, rms. |
| 5.0 mV to 9.95 mV/div | 0.025 div, rms. |
| 10.0 mV to 99.5 mV/div | 0.014 div, rms. |
| 100 mV to 995 mV/div | 0.014 div, rms. |
| 1.0 v to 10.0 V/div | 0.014 div, rms. |
| DC Drift with Temperature | 200 μ V/ $^{\circ}$ C, or less, at any sensitivity. ¹ |
| Channel Isolation | At least 50:1 display ratio ² , dc - 300 MHz. |
| Common Mode Rejection Ratio | At least 20:1, dc to 50 MHz, 10-div reference signal on each input. |
| Probe Compatibility | The 11A34 is compatible with Level 1 and Level 2 TEKPROBES. ³ |

¹Dc drift can be calibrated out by invoking a calibration (Enhanced Accuracy) at any specific operating temperature.

$$^2\text{Display ratio} = \frac{\text{Amplitude (div)} \times \text{V/div (driven channel)}}{\text{Error amplitude (div)} \times \text{V/div (undriven channel)}}$$

³TEKPROBE is Tektronix' name for the interface used with probes designed for the 11000-series of oscilloscopes and plug-in units. TEKPROBES have output connectors with one or more spring loaded coding pins. Two categories of TEKPROBES are:

Level 1

A level 1 probe, which uses analog encoding to indicate the probe's scale factor to the plug-in unit.

Level 2

A level 2 probe, which uses an EEPROM to store data about the probe's transfer units, scale factor, and output voltage scale factor. Such data are serially encoded, then stored in the EEPROM. The probe data is intended to be read once at instrument power-up or when the probe is first connected to a plug-in unit (that is, at probe power-up).

TABLE 4-2
Environmental Characteristics

| Characteristic | Information |
|---|---|
| Ambient Temperature (external to main frame) | |
| Operating within specs. | 0° to 50° C., mainframe ambient. |
| Nonoperating | -40° to +75° C. |
| Humidity, Operating and Nonoperating | Five days, per MIL-T-28800C, Type III, class 5 as described in 3.9.2.2 end 455.122. |
| Altitude | |
| Operating | To 4,570 m (15,000 ft.). |
| Nonoperating | To 15,200 m (50,000 ft.). |
| Vibration | |
| operating, installed on Flexible Extender | MIL-T-28800C, Sec. 45.5.3.1, type III, class 5. |
| Shock, Nonoperating (not installed in mainframe) | MIL-T-28800C, Sec. 4.5.5.4.1, type III, class 5. |
| Bench Handling (operating and nonoperating) | MIL-T-28800C, Sec. 455.4.3, type III, class 5. |
| Packaged Product Vibration and Shock | |
| Vibration and Bounce of Packaged Product | Meets ASTM D999-75, Method A (NSTA Project 1A-B-1). |
| Drop of Packaged Product | Meets ASTM D775-61, Paragraph 5 (NSTA Project 1A-B-2). |
| Electromagnetic Compatibility | MIL. STD. 461B. FCC Part 15, Subpart J, Class A. VDE 0871/6.78, Class B. |

Physical Characteristics

Table 4-3
Physical Characteristics

| Characteristic | Information |
|----------------------------------|-----------------------|
| weight (max) | 2 lb. 7 oz. (1.1 kg.) |
| Weight of Packaged Product (max) | 5 lb. 5 oz. (24 kg.) |
| Dimensions (max) | :Refer to Figure 4-1. |

Recommended Probes

Tektronix recommends **these probes** for use with the 11A34:

P6134 Subminiature **10X** Passive Probe with ID. With 1 $M\Omega$ inputs, the P6134's input impedance is 10 $M\Omega$ in parallel with 105 pF. The P6134 is a Level 1 probe.

P6231 Low Impedance Subminiature **10X** Active Probe. The P6231 has a bandwidth of 15 GHz, input impedance of 450 Ω , and dc offset of ± 5 V controlled by the 11A34. The P6231 is a Level 2 probe.

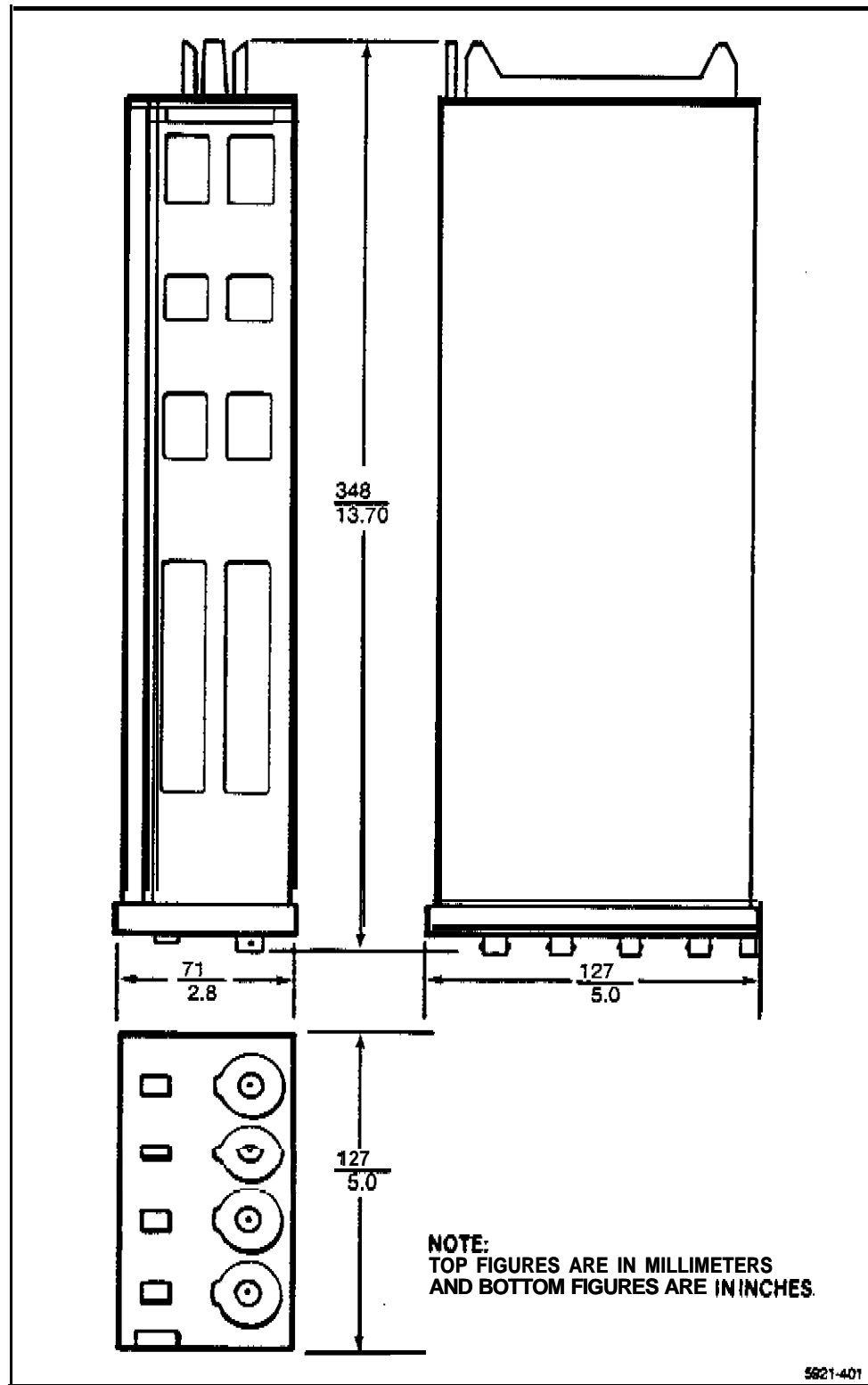


Figure 4-1. Dimensions of 11A34.

Appendix A—Glossary

| | |
|-----------------------|---|
| Deflection factor | The ratio of input signal to response in the 11000 system. The reciprocal of sensitivity . |
| Display on/off button | The front-panel, plug-in button that designates a channel for display, or removes a channel from the display. |
| Mainframe | Any 11000-series oscilloscope exclusive of plug-in units . |
| offset | A control that allows the user to subtract a precision voltage from the input signal to vary the position of the displayed signal . |
| ON/STANDBY | The front-panel power control on 11000-series mainframes . When set to ON, applies operating power to all circuits. When set to STANDBY, the mainframe dc power supply supplies power to the counter-timer crystal oven (Option 1T). |
| Overdrive | A condition in which amplifiers are driven into a non-linear operating range. Typically many divisions off screen . |
| Overload | The condition existing when a potentially damaging voltage is applied to the input connector. |
| Toggle | To switch alternately between two functions (e.g., on and off). |

Appendix B-Instrument Documentation

1. **Introducing the 11301 and 11302 Programmable Oscilloscopes.** This book helps the new user learn the concepts of the 11301/11302 and its operation.
2. **Introducing the 11401 and 11402 Digitizing Oscilloscopes.** Intended for new users, this book explains the concepts of the 11401/11402 and its operation.
3. **11301 and 11302 User's Reference manual** contains detailed information about measurements the instruments can make, and instructions about how to set the **oscilloscope** to perform such measurements. **Also, installation instructions,** specifications, description of options, and details about using the 11301/11302 with the **GPIB** and **RS-232-C** interfac are included here.
4. **11401 and 11402 User's Reference manual.** Similar to item 3 for the 11301/11302, **the definitive word about the 11401/11402.**
5. **11301 and 11302 Pocket Reference** is a short-form reference. The **Pocket Reference** gives **menus** and a brief **description of functions selected.** **External interface commands** are **listed** with their basic **syntax,** and a **list of error and warning messages** is **included.**
6. **1 1A34 Service manual** includes information needed to check and adjust, perform diagnostic troubleshooting repair, and otherwise service your instrument.
7. **1 1A34 Incoming Inspection Procedure manual** verifies that the **instrument** is **functioning properly.**