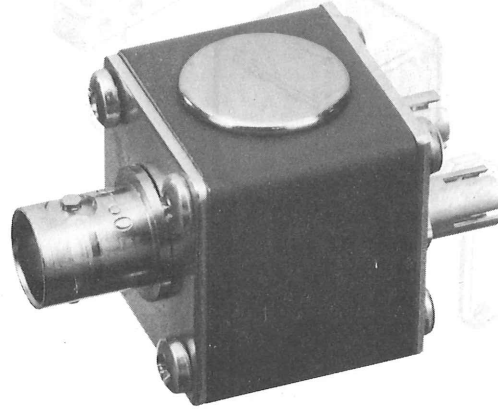


# 067-0562-00 CALIBRATION FIXTURE

P6046 Input Adapter



The 067-0562-00 P6046 Input Adapter is a device which connects the P6046 dual input tips together to the center conductor of a BNC connector. Mechanically, the electrical length of both inputs is made equal. This achieves high-frequency signal cancellation during the 50 MHz 1000:1 common mode rejection calibration adjustments.



067-0562-00 CALIBRATION FIXTURE

MECHANICAL PARTS LIST

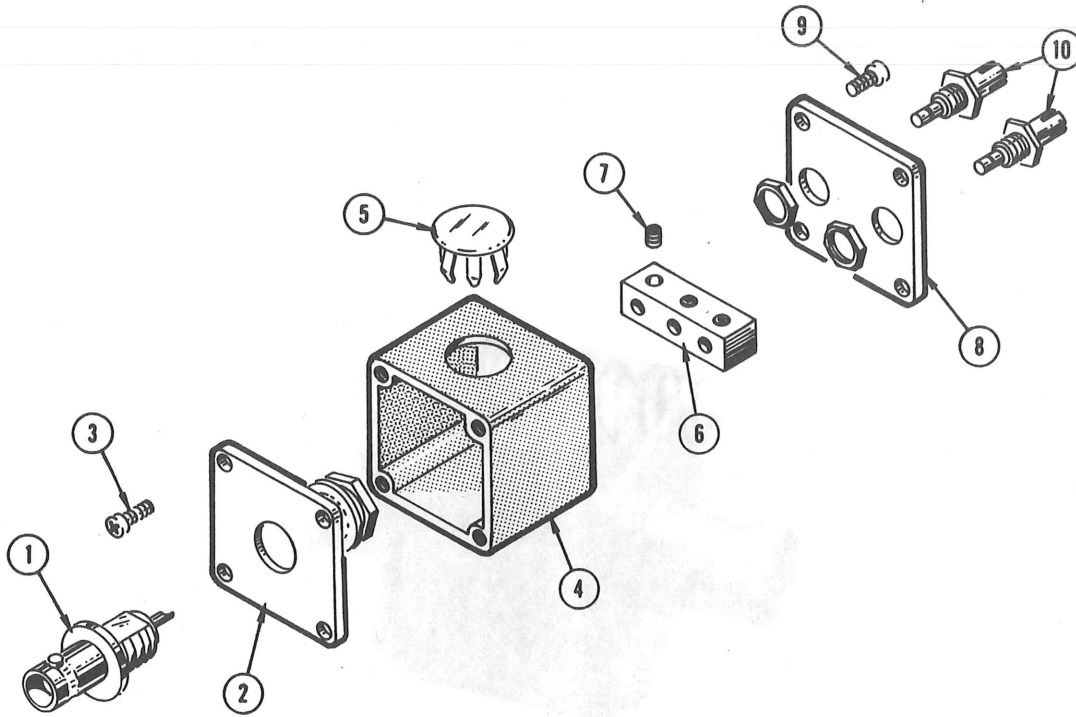


Fig. & Index No.	Tektronix Part No.	Serial/Model No. Eff	No. Disc	Q	Y					Description
					1	2	3	4	5	
1	131-0955-00			1						CONNECTOR, coaxial, BNC, female, w/hardware
2	386-0342-00			1						PLATE, adapter
	- - - - -									- mounting hardware: (not included w/plate)
3	211-0008-00			4						SCREW, 4-40 x 0.25 inch, PHS
4	380-0135-00			1						HOUSING
5	134-0031-00			1						PLUG, button
6	131-0588-00			1						LING, terminal connector
	- - - - -									- mounting hardware: (not included w/link)
7	213-0140-00			3						SCREW, set, 2-56 x 0.094 inch, HSS
8	386-1376-00			1						PLATE
	- - - - -									- mounting hardware: (not included w/plate)
9	211-0008-00			4						SCREW, 4-40 x 0.25 inch, PHS
10	131-0258-00			2						CONNECTOR, test point jack, w/hardware