

### DESCRIPTION AND RATING

The 12AU7-A is a miniature medium-mu twin triode intended for service in radio and television receivers or in audio amplifiers. The tube is suitable for use in a variety of stages, such as general-purpose amplifier, phase inverter, oscillator, or multivibrator.

The electrical characteristics of the 12AU7-A and 12AU7 are essentially equivalent. As compared to the 12AU7, the 12AU7-A exhibits a lower microphonic output.

Except for heater ratings, the 7AU7 is identical to the 12AU7-A. In addition, the 7AU7 incorporates a controlled heater warm-up characteristic and is specially suited for use in television receivers that employ 600-milliamperere, series-connected heaters.

### GENERAL

#### ELECTRICAL

	7AU7		12AU7-A 12AU7		Volts
	Series	Parallel	Series	Parallel	
Heater Voltage, AC or DC	7.0	3.5	12.6	6.3	
Heater Current	0.3	0.6	0.15	0.3	Amperes
Heater Warm-up Time*		11			Seconds

#### Direct Interelectrode Capacitances

	With Shield†	Without Shield	
Grid to Plate, Each Section	1.5	1.5	$\mu\mu\text{f}$
Input, Each Section	1.8	1.6	$\mu\mu\text{f}$
Output, Section 1	2.0	0.4	$\mu\mu\text{f}$
Output, Section 2	2.0	0.32	$\mu\mu\text{f}$

#### MECHANICAL

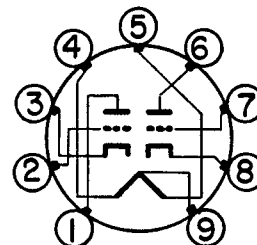
Mounting Position—Any  
Envelope—T-6½, Glass  
Base—E9-1, Small Button 9-Pin

### MAXIMUM RATINGS

DESIGN-CENTER VALUES UNLESS OTHERWISE INDICATED, EACH SECTION

	Class A <sub>1</sub> Amplifier	Vertical Deflection Amplifier‡	
DC Plate Voltage	300	300	Volts
Peak Positive Pulse Plate Voltage		1200§	Volts
Peak Negative Grid Voltage		250	Volts
Plate Dissipation	2.75	2.75△	Watts
DC Cathode Current	20	20	Milliamperes
Peak Cathode Current		60	Milliamperes
Heater-Cathode Voltage			
Heater Positive with Respect to Cathode			
DC Component	100	100	Volts
Total DC and Peak	200	200	Volts
Heater Negative with Respect to Cathode			
Total DC and Peak	200	200	Volts
Grid Circuit Resistance			
With Fixed Bias	0.25		Megohms
With Cathode Bias	1.0	2.2	Megohms

### BASING DIAGRAM

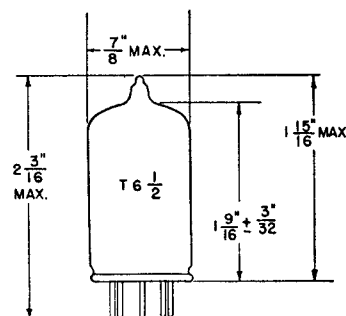


RETMA 9A

### TERMINAL CONNECTIONS

- Pin 1—Plate (Section 2)
- Pin 2—Grid (Section 2)
- Pin 3—Cathode (Section 2)
- Pin 4—Heater
- Pin 5—Heater
- Pin 6—Plate (Section 1)
- Pin 7—Grid (Section 1)
- Pin 8—Cathode (Section 1)
- Pin 9—Heater Center-Tap

### PHYSICAL DIMENSIONS



RETMA 6-2

**MAXIMUM RATINGS (Cont'd)**

**DESIGN-CENTER VALUES UNLESS OTHERWISE INDICATED,  
EACH SECTION**

	<b>Vertical- Oscillator Service†</b>	<b>Horizontal Oscillator Service‡</b>
DC Plate Voltage . . . . .	300	300 Volts
Peak Negative Grid Voltage . . . . .	400	600 Volts
Plate Dissipation . . . . .	2.75	2.75 Watts
DC Cathode Current . . . . .	.20	20 Milliamperes
Peak Cathode Current . . . . .	.60	300 Milliamperes
Heater-Cathode Voltage		
Heater Positive with Respect to Cathode		
DC Component . . . . .	100	100 Volts
Total DC and Peak . . . . .	200	200 Volts
Heater Negative with Respect to Cathode		
Total DC and Peak . . . . .	200	200 Volts
Grid Circuit Resistance		
With Fixed Bias . . . . .	2.2	2.2 Megohms
With Cathode Bias . . . . .	2.2	2.2 Megohms

**CHARACTERISTICS AND TYPICAL OPERATION**

**CLASS A<sub>1</sub> AMPLIFIER, EACH SECTION**

Plate Voltage . . . . .	100	250 Volts
Grid Voltage . . . . .	0	-8.5 Volts
Amplification Factor . . . . .	20	17
Plate Resistance, approximate . . . . .	6500	7700 Ohms
Transconductance . . . . .	3100	2200 Micromhos
Plate Current . . . . .	11.8	10.5 Milliamperes
Grid Voltage, approximate		
I <sub>b</sub> = 10 Microamperes . . . . .		-24 Volts

\* The time required for the voltage across the heater to reach 80 percent of its rated value after applying 4 times rated heater voltage to a circuit consisting of the tube heater in series with a resistance equal to 3 times the rated heater voltage divided by the rated heater current.

† With external shield (RETMA 315) connected to cathode of section under test.

‡ For operation in a 525-line, 30-frame television system as described in "Standards of Good Engineering Practice Concerning Television Broadcast Stations", Federal Communications Commission. The duty cycle of the voltage pulse must not exceed 15 percent of one scanning cycle.

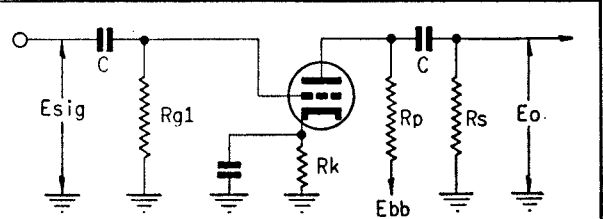
§ Value given is to be considered as an Absolute Maximum Rating. In this case, the combined effect of supply voltage variation, manufacturing variation including components in the equipment, and adjustment of equipment controls should not cause the rated value to be exceeded.

△ In stages operating with grid-lead bias, an adequate cathode-bias resistor or other suitable means is required to protect the tube in the absence of excitation.

**CLASS A RESISTANCE-COUPLED AMPLIFIER**

EACH SECTION

Rp Meg.	Rs Meg.	Rg1 Meg.	Ebb = 90 Volts			Ebb = 180 Volts			Ebb = 300 Volts		
			Rk	Gain	Eo	Rk	Gain	Eo	Rk	Gain	Eo
0.10	0.10	0.10	3900	10	10	3600	11	20	3500	11	30
0.10	0.24	0.10	5000	11	14	4700	12	27	4400	12	41
0.24	0.24	0.10	9400	11	13	8700	11	25	8700	12	38
0.24	0.51	0.10	11000	11	17	11000	12	32	11000	12	48
0.51	0.51	0.10	19000	11	15	18000	12	29	18000	12	43
0.51	1.0	0.10	24000	11	19	23000	12	37	23000	12	54
0.24	0.24	10	0	14	12	0	16	20	0	17	28
0.24	0.51	10	0	14	16	0	16	28	0	17	40
0.51	0.51	10	0	14	15	0	15	26	0	16	38
0.51	1.0	10	0	14	19	0	16	35	0	16	52

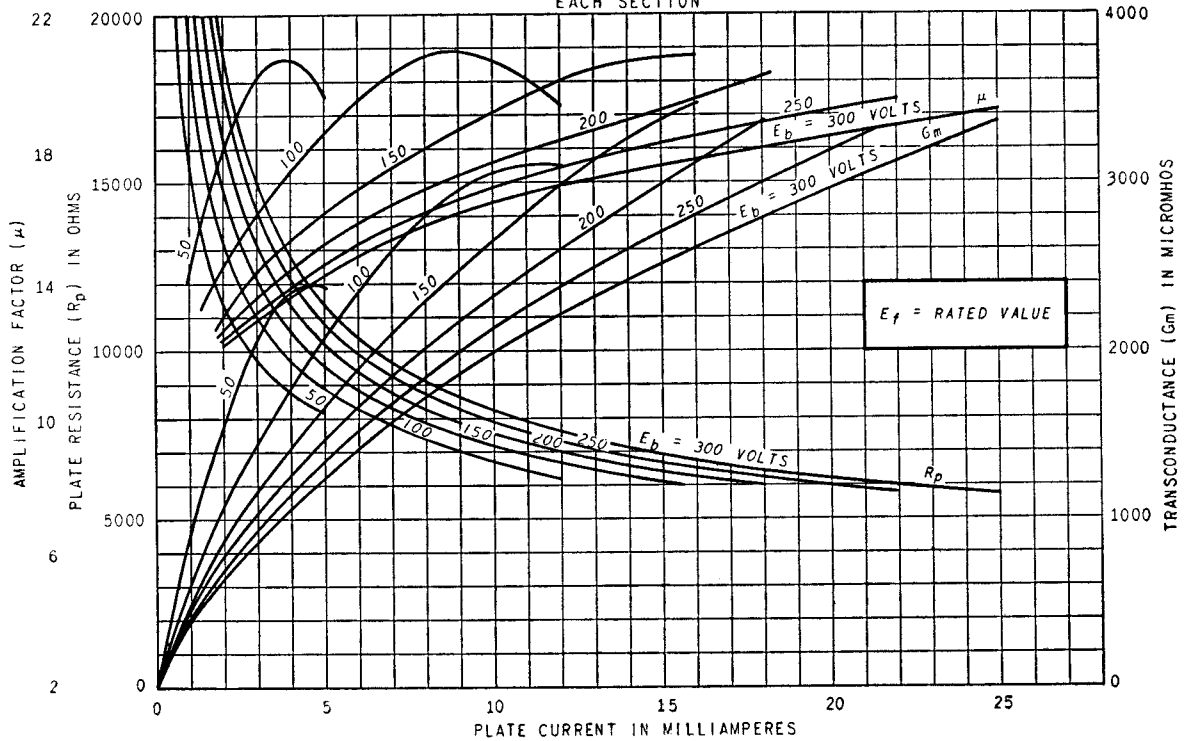


Note: Coupling capacitors (C) should be selected to give desired frequency response. Rk should be adequately by-passed.

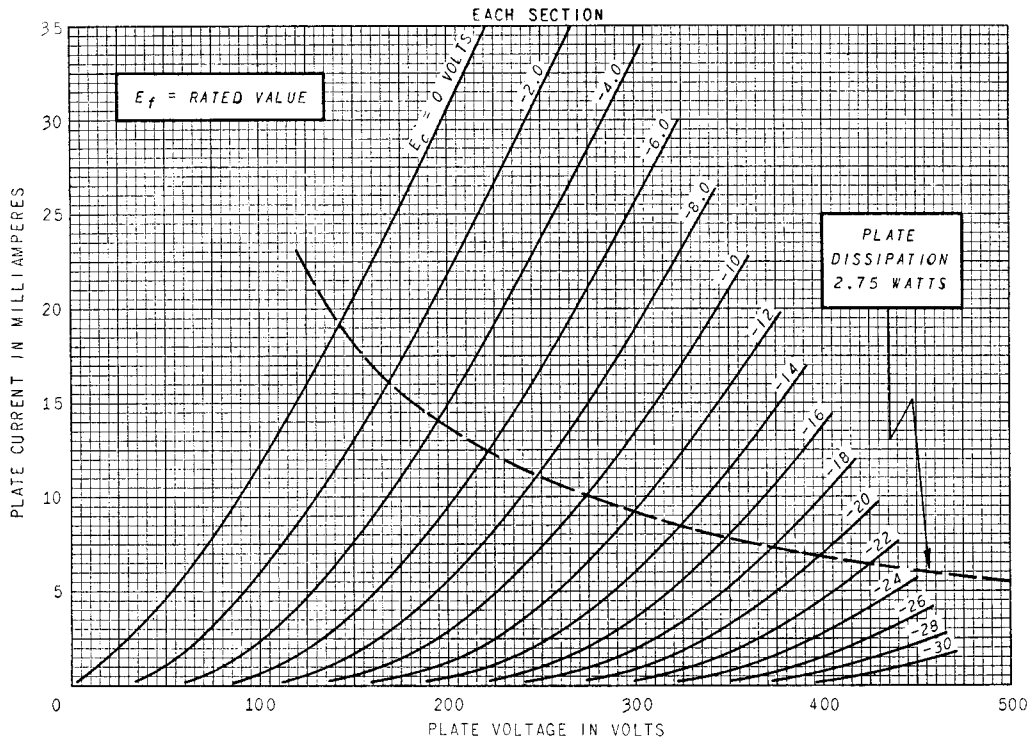
Notes: 1. Eo is maximum RMS voltage output for five percent (5%) total harmonic distortion. 2. Gain measured at 2.0 volts RMS output. 3. For zero-bias data, generator impedance is negligible.

**AVERAGE CHARACTERISTICS**

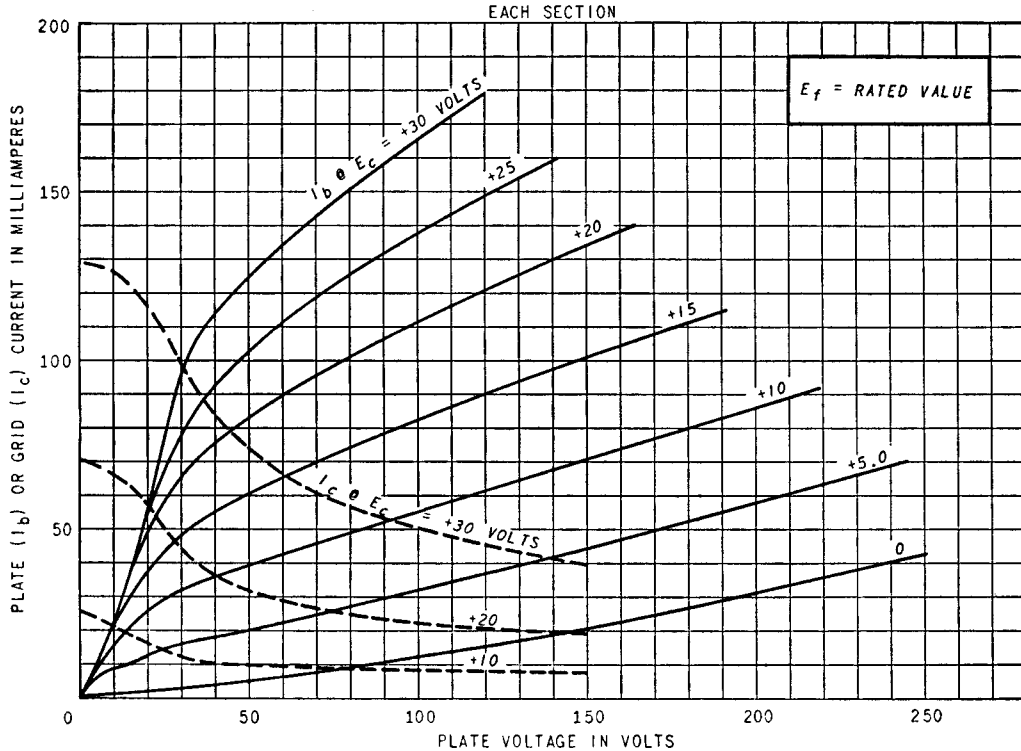
EACH SECTION



**AVERAGE PLATE CHARACTERISTICS**



**AVERAGE PLATE CHARACTERISTICS**



### AVERAGE TRANSFER CHARACTERISTICS

EACH SECTION

