

Instructions

Tektronix

A1006
Transistor Long Lead Adapter
062-8515-01

**Please check for change information
at the rear of this manual.**

First Printing: January 1985
Revised Printing: October 1986

Copyright © Tektronix, Inc. 1985. All rights reserved.

Tektronix products are covered by U.S. and foreign patents, issued and pending. Information in this publication supercedes that in all previously published material. Specifications and price change privileges reserved.

Printed in the U.S.A.

Tektronix, Inc., P.O. Box 1000, Wilsonville, OR 97070-1000

TEKTRONIX and TEK are registered trademarks of Tektronix, Inc.

A1006 TRANSISTOR LONG LEAD ADAPTER

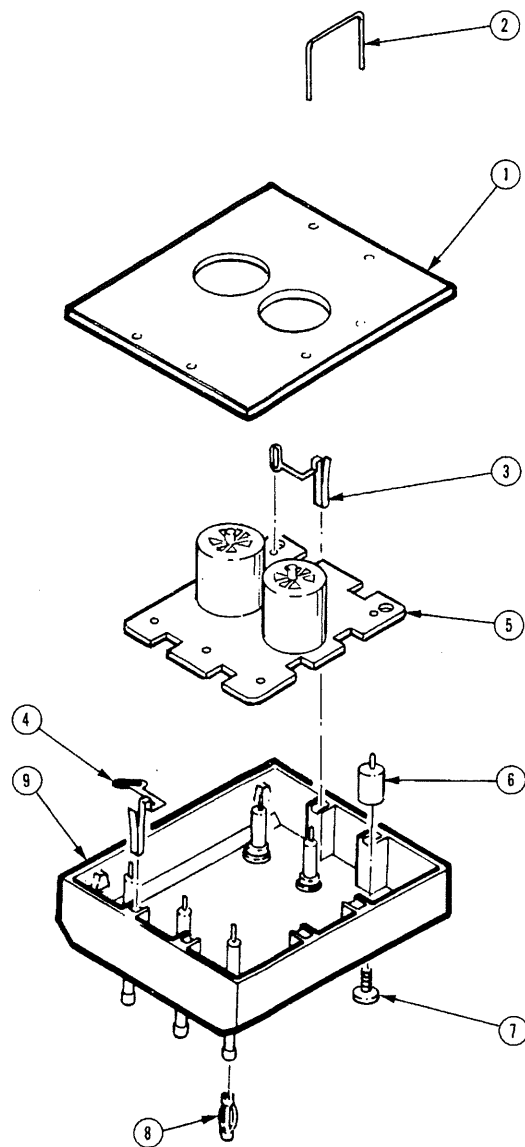


Fig. & Index No.	Tektronix Part No.	Serial/Assembly No.		Qty	12345 Name & Description	Mfr.	
		Effective	Dscont			Code	Mfr. Part No.
1-1	200-3170-00	8537	8638	1	COVER,XSTR ADAP:PLASTIC,MKD LONG LEAD XSTR	80009	200-3170-00
	200-3170-01	8639		1	COV,XSTR ADPTR:PLASTIC,MKD LONG LEAD XSTR	80009	200-3170-01
-2	131-1046-00			1	CONTACT,ELEC:TEST ADPTR,BRS CU-SN-ZN	80009	131-1046-00
-3	131-3442-01			1	CONTACT,ELEC:CU-BE,NI PL,RIGHT,PKG OF 3	80009	131-3442-01
-4	131-3441-01			1	CONTACT,ELEC:BE-CU,NI PL,LEFT,PKG OF 3	80009	131-3441-01
-5	670-9168-00			1	CIRCUIT BD ASSY:DUAL LONG LEAD TRANSISTORS	80009	670-9168-00
-6				1	MOUNT,CKT BOARD: (AVAILABLE ONLY AS PACKAGE OF 5)		
	426-2108-01			1	MOUNT,CKT BOARD:PKG OF 5 (ATTACHING PARTS)	80009	426-2108-01
-7	134-0186-00			1	PLUG,TIP:DUMMY (END ATTACHING PARTS)	80009	134-0186-00
-8	214-3790-00			5	SPRING,CONTACT:0.470 L,CU BE	80009	214-3790-00
-9	202-0199-00	8537	8638	1	BOX,TEST ADPTR:3.006 X 2.50 X 0.640	80009	202-0199-00
	202-0199-01	8639		1	BOX,TEST ADPTR:3.006 X 2.5 X 0.64	80009	202-0199-01
					STANDARD ACCESSORIES		
	003-1369-00	8537	8638	1	RLSE TOOL,COVER:POLYCARBONATE	80009	003-1369-00
	196-3063-00			1	LEAD,ELECTRICAL:20 AWG,8.0 L,2-0	80009	196-3063-00
	062-8515-01			1	DATA SHEET:A1006 LONG LEAD ADAPTER	80009	062-8515-01

CROSS INDEX - MFR. CODE NUMBER TO MANUFACTURER

Mfr. Code	Manufacturer	Address	City, State, Zip Code
80009	TEKTRONIX INC	4900 S M GRIFFITH DR P O BOX 500	BEAVERTON OR 97077

