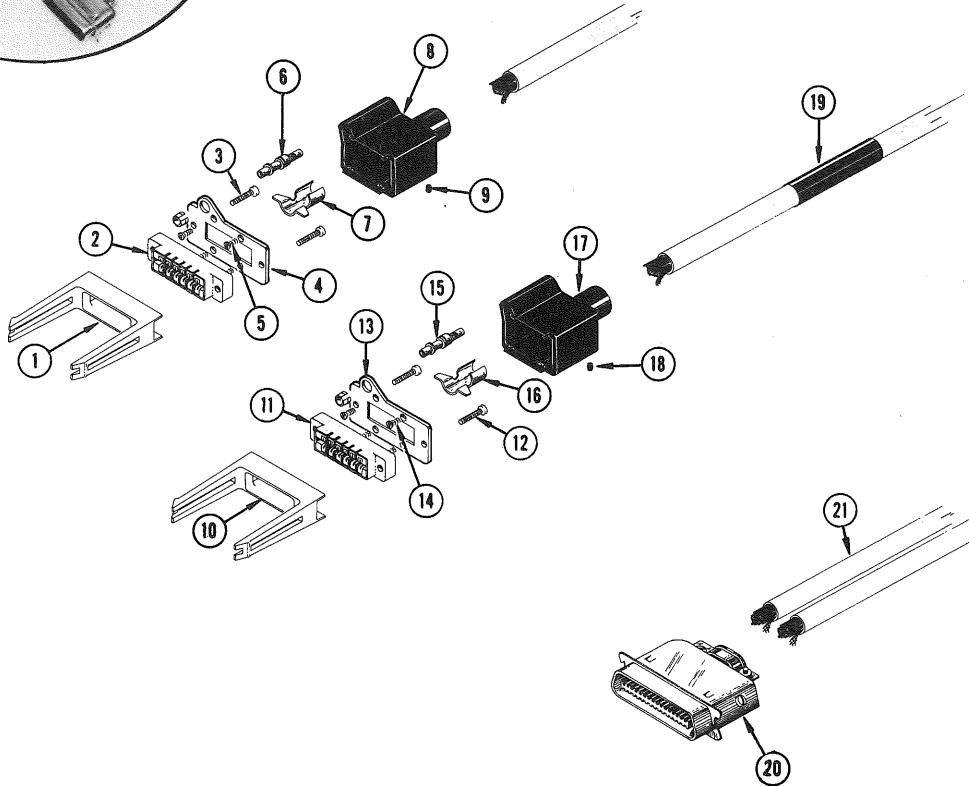
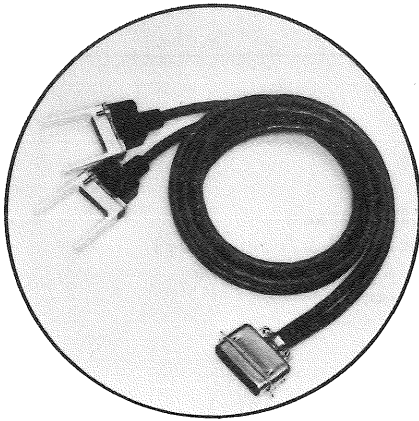


CABLE, INTERCONNECTING (Dual) (Part No. 012-0130-00)



REF. NO.	PART NO.	SERIAL/MODEL NO.		QTY.	DESCRIPTION
		EFF.	DISC.		
1	351-0132-00			1	GUIDE, clip, U shape
2	131-0581-00			1	CONNECTOR, circuit board, 12 contact
	- - - - -			-	mounting hardware: (not included w/connector)
3	213-0082-00			2	SCREW, thread cutting, 4-40 x 1/2 inch, PHS
	344-0163-00			2	CLIP, spring tension (not shown)
4	386-1397-00			1	PLATE, mounting
	- - - - -			-	mounting hardware:
	- - - - -			-	(not included w/plate)
5	211-0073-00			4	SCREW, 2-56 x 7/32 inch, FHS

DATA SHEET

NO. 062-0956-00

DATE MAY 1968

COPYRIGHT © 1968
 TEKTRONIX INC.
 ALL RIGHTS RESERVED

**CABLE, INTERCONNECTING (Dual)
(Part No. 012-0130-00)**

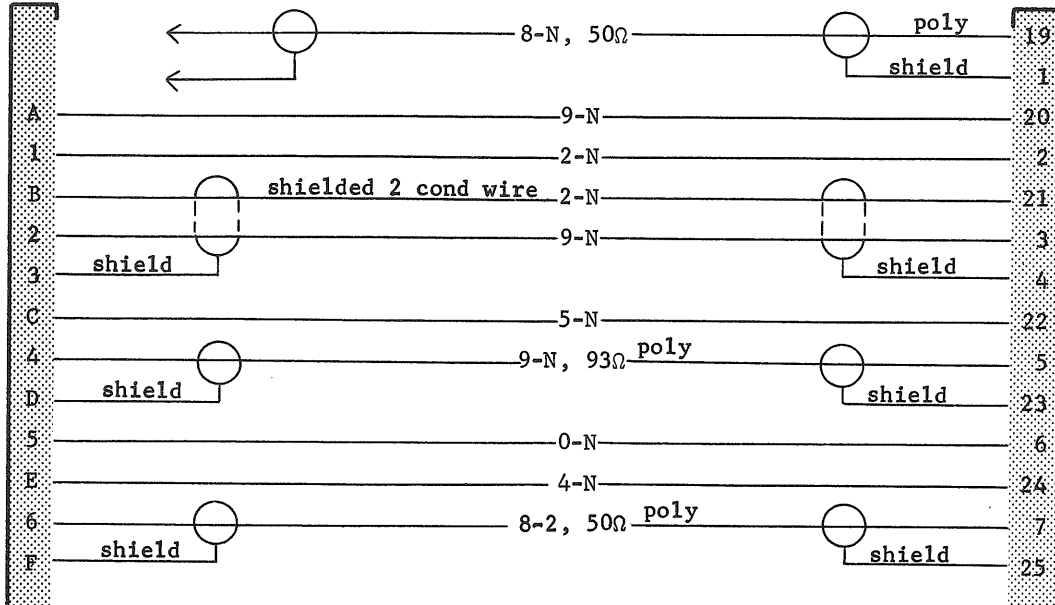
REF. NO.	PART NO.	SERIAL/MODEL NO.		QTY.	DESCRIPTION
		EFF.	DISC.		
6	131-0597-00			1	CONNECTOR, coaxial, w/hardware
7	343-0166-00			1	CLAMP, cable
8	205-0098-01			1	SHELL, Channel A
9	213-0195-00			4	SCREW, set, 2-56 x 3/16 inch
10	351-0132-00			1	GUIDE, clip, U shape
11	131-0581-00			1	CONNECTOR, circuit board, 12 contact
	- - - - -			-	mounting hardware: (not included w/connector)
12	213-0082-00			2	SCREW, thread cutting, 4-40 x 1/2 inch, PHS
	344-0163-00			2	CLIP, spring tension (not shown)
13	386-1397-00			1	PLATE, mounting
	- - - - -			-	mounting hardware: (not included w/plate)
14	211-0073-00			4	SCREW, 2-56 x 2/32 inch, FHS
15	131-0597-00			1	CONNECTOR, coaxial, w/hardware
16	343-0166-00			1	CLAMP, cable
17	205-0098-02			1	SHELL, Channel B
18	213-0195-00			4	SCREW, set, 2-56 x 3/16 inch
19	334-1267-00			1	SLEEVE, marker, cable
20	131-0293-00			1	CONNECTOR, 36 pin, male
21	175-0488-00			ft.	CABLE, special purpose, (6 feet each, 2 per)

CABLE, INTERCONNECTING (Dual) (Part No. 012-0130-00)

WIRING DIAGRAM

CHANNEL A
131-0597-00

131-0293-00
CONNECTOR



CHANNEL B
131-0597-00

