

SWEEP CONTROL

155-0122-00 M132A

DESCRIPTION

This sweep control circuit contains the hold-off timing Miller, single sweep lockout circuit, triggered and single sweep ready light lamp drivers, single sweep reset debounce circuit, auto timing circuit and an "A" Gate output. The M132A is designed to operate with the M133A sweep and delay pickoff and the M131A trigger. The M132A operates from +5V at a power dissipation of approximately 125 mW.

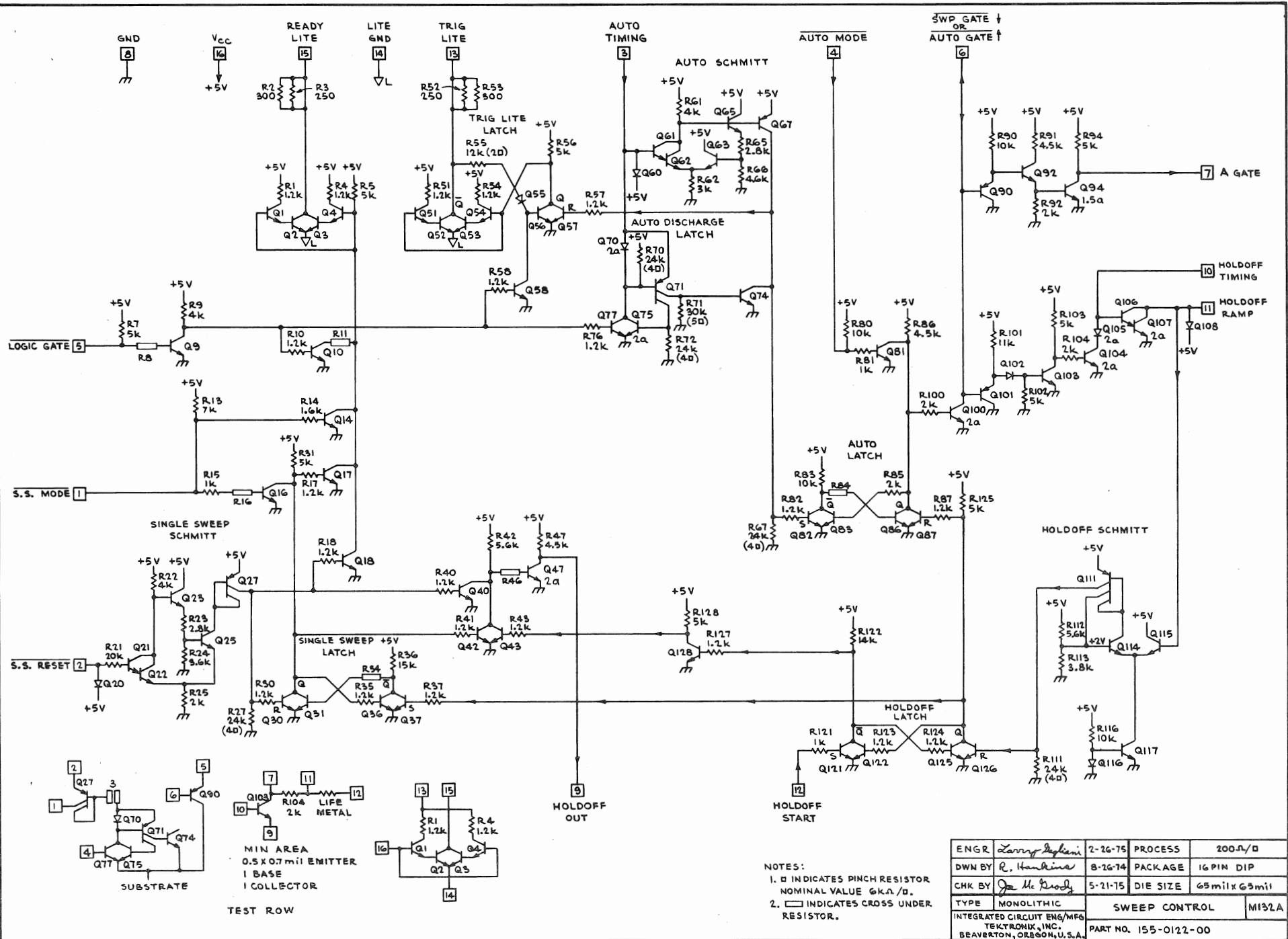
PROCESS 200 Ω /Sq

POWER SUPPLY.

PACKAGE 16 Pin DIP

DESIGNER Larry Gagliani

INSTRUMENT USAGE 455



ENGR	Larry Dehnen	2-26-75	PROCESS	200 Ω /D
DWN BY	R. Hawkins	8-26-74	PACKAGE	16 PIN DIP
CHK BY	Joe McBrody	5-21-75	DIE SIZE	65mil x 63mil
TYPE	MONOLITHIC		SWEEP CONTROL	
INTEGRATED CIRCUIT ENG/MFG			MI32A	
TEKTRONIX, INC.			PART NO. 155-0122-00	
BEAVERTON, OREGON, U.S.A.				