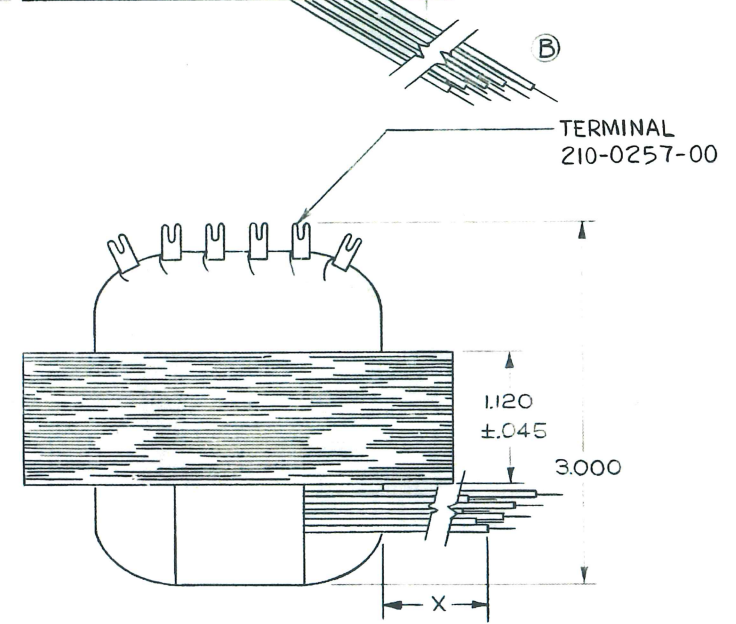
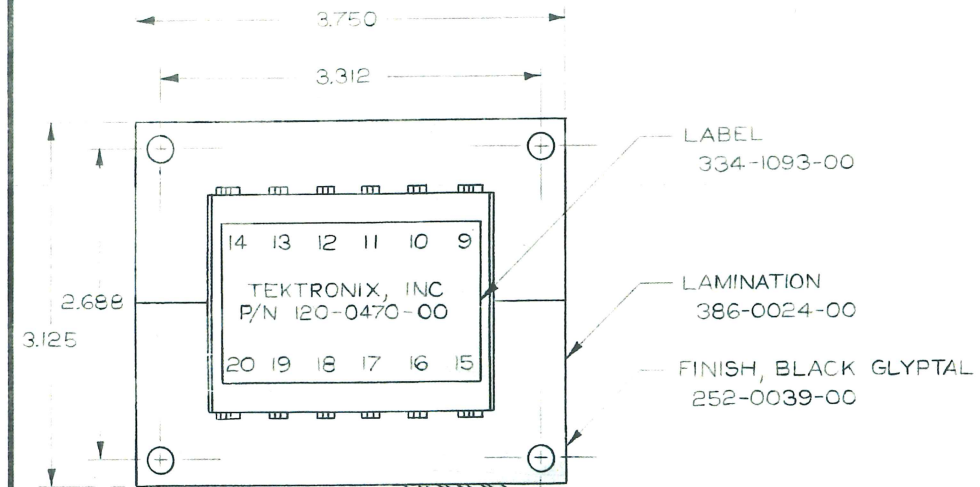


THIS DRAWING WHEN DISTRIBUTED OUTSIDE TEKTRONIX, INC. IS SUPPLIED FOR IDENTIFICATION, ENGINEERING EVALUATION AND/OR INSPECTION PURPOSES ONLY AND MAY NOT BE USED AS A BASIS FOR MANUFACTURE OR SALES OF PRODUCTS WITHOUT WRITTEN PERMISSION FROM TEKTRONIX, INC. IF THIS DRAWING IS FURNISHED UNDER ANY UNITED STATES GOVERNMENT CONTRACT, IT SHALL NOT BE EITHER RELEASED OUTSIDE THE GOVERNMENT, OR USED, DUPLICATED, OR DISCLOSED IN WHOLE OR IN PART FOR MANUFACTURE OR PROGRAMS, WITHOUT THE WRITTEN PERMISSION OF TEKTRONIX, INC., EXCEPT FOR: (1) EMERGENCY REPAIR OR OVERHAUL WORK BY OR FOR THE GOVERNMENT, WHERE THE ITEM OR PROCESS CONCERNED IS NOT OTHERWISE REASONABLY AVAILABLE TO ENABLE TIMELY PERFORMANCE OF THE WORK, OR (2) RELEASE TO A FOREIGN GOVERNMENT AS THE INTERESTS OF THE UNITED STATES MAY REQUIRE, PROVIDED THAT IN EITHER CASE THE RELEASE, USE, DUPLICATION OR DISCLOSURE HEREOF SHALL BE SUBJECT TO THE FOREGOING LIMITATIONS. IF THIS DRAWING IS REPRODUCED IN WHOLE OR IN PART, THIS ENTIRE LEGEND BLOCK MUST APPEAR ON ALL REPRODUCED COPIES.

REV	BY	REF	DESCRIPTION OF CHANGE	CHK BY/DATE
A	TE	13455	INCREASED WIRE LENGTHS	3-6-68
B	TE	14150	REVISED WIRE LENGTHS, BREAK OUT WIRES ON OPPOSITE SIDE.	27AUG68
C	DB	15520	ADDED CS	6NOV69
D	MN	16535	REMOVED CS	18MAY70



(X) TUBING LENGTH ±.250

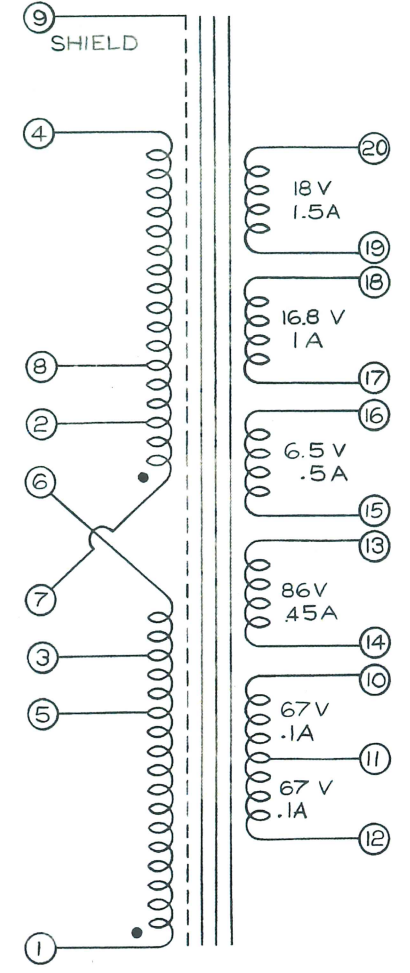
B	BROWN	5.750	BLUE	5.375	A	B
B	RED	5.750	GREEN	5.250	A	B
B	ORANGE	5.750	VIOLET	5.000	A	B
B	YELLOW	5.375	GRAY	5.000	A	B

EARL ENDS 1.000 ±.250

COIL STRUCTURE OUTSIDE

TYPE WINDING	TERM NO.
SEC 19-20	
70T *23	
SEC 17-18	
66T *23	
SEC 15-16	
25T *25	
SEC 12-11-10	
Ø-265-530T *30	
SEC 14-13	
335T *25	
E.S. SHIELD	9
PRI 7-2-8-4	
Ø-33-90-458T *25	
PRI 1-5-3-6	
Ø-365-425-458T *25	

INSIDE



LINE TO 1-4	CONNECT
100V	1 TO 8 & 4 TO 5
115V	1 TO 2 & 4 TO 3
124V	1 TO 7 & 4 TO 6
200V	5 TO 8
230V	2 TO 3
248V	6 TO 7

50-400 Hz

WARNING
REFERENCE PRINT ONLY
WILL NOT BE REPLACED
IF ACCIDENT

PART NUMBER 120-0470-00 REV D

SEP 3 1971

1. DIMENSIONS REFERENCE UNLESS NOTED
2. WINDINGS INSULATED FOR 600VDC
3. RATINGS ARE NOMINAL & VARY WITH LOAD & LINE VOLTAGE

NOTES:

NAME	DATE	TEKTRONIX, INC. P.O. BOX 500 BEAVERTON, OREGON, U.S.A. 97005	
BY L. CLEM	7-27-67	TOLERANCES UNLESS OTHERWISE SPECIFIED	
CHK <i>[Signature]</i>	8-11-67	SCALE	FIRST USED ON
ENGR W. CRAYNE	7-27-67	NONE	454
MATERIAL LISTED			
FINISH NOTED			
TITLE TRANSFORMER, POWER			
SIZE C	CODE IDENT. NO. 80009	PART NUMBER 120-0470-00	REV D

DO NOT SCALE DRAWING