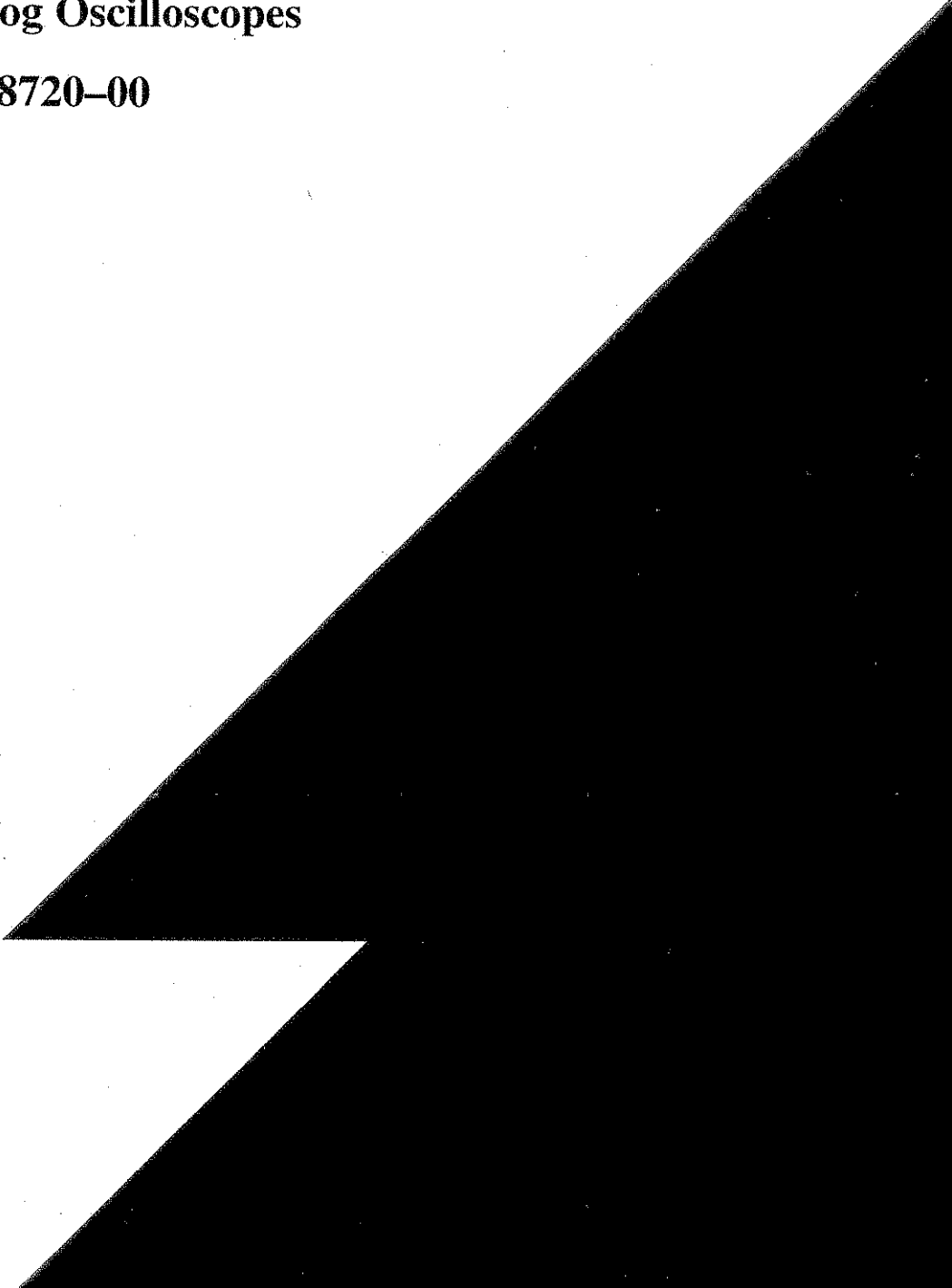


Reference

Tektronix

**TAS 475 & TAS 485
Analog Oscilloscopes**

070-8720-00



Using the TAS Four Channel Oscilloscopes

Cursor Control

TOGGLE switches the General Purpose Knob assignment between the displayed measurement cursors.

General Purpose Knob

Assigned to various operations, dependent on the last applicable menu operation:

- Position cursors.
- Adjust time for delay events.
- Variable volts/div and sec/div.
- Delayed trace separation.
- Calibration routines.

Using Time Saving Features

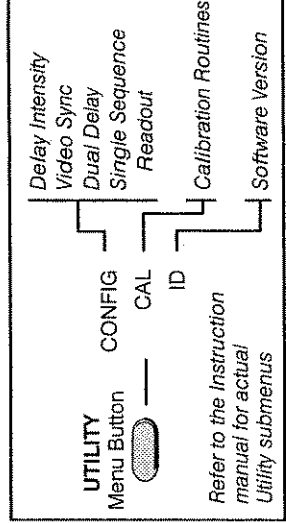
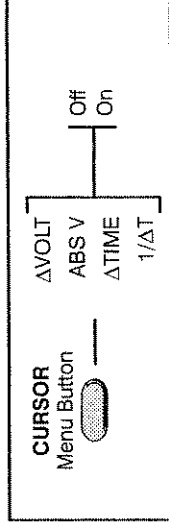
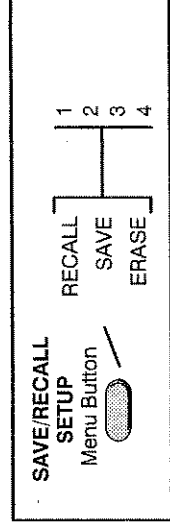
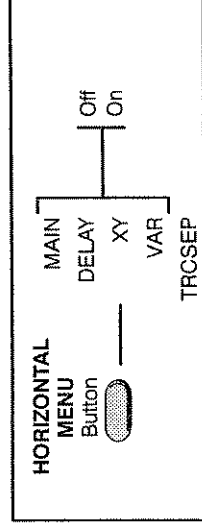
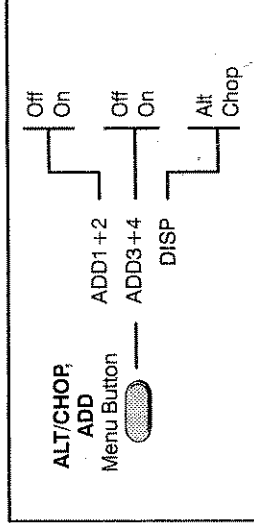
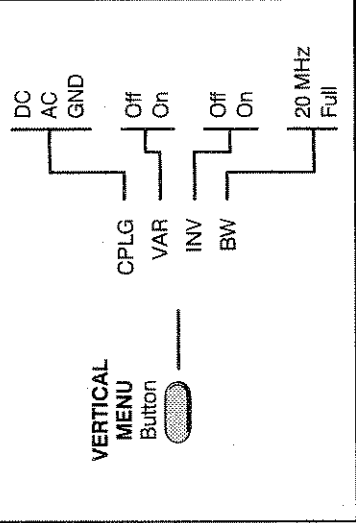
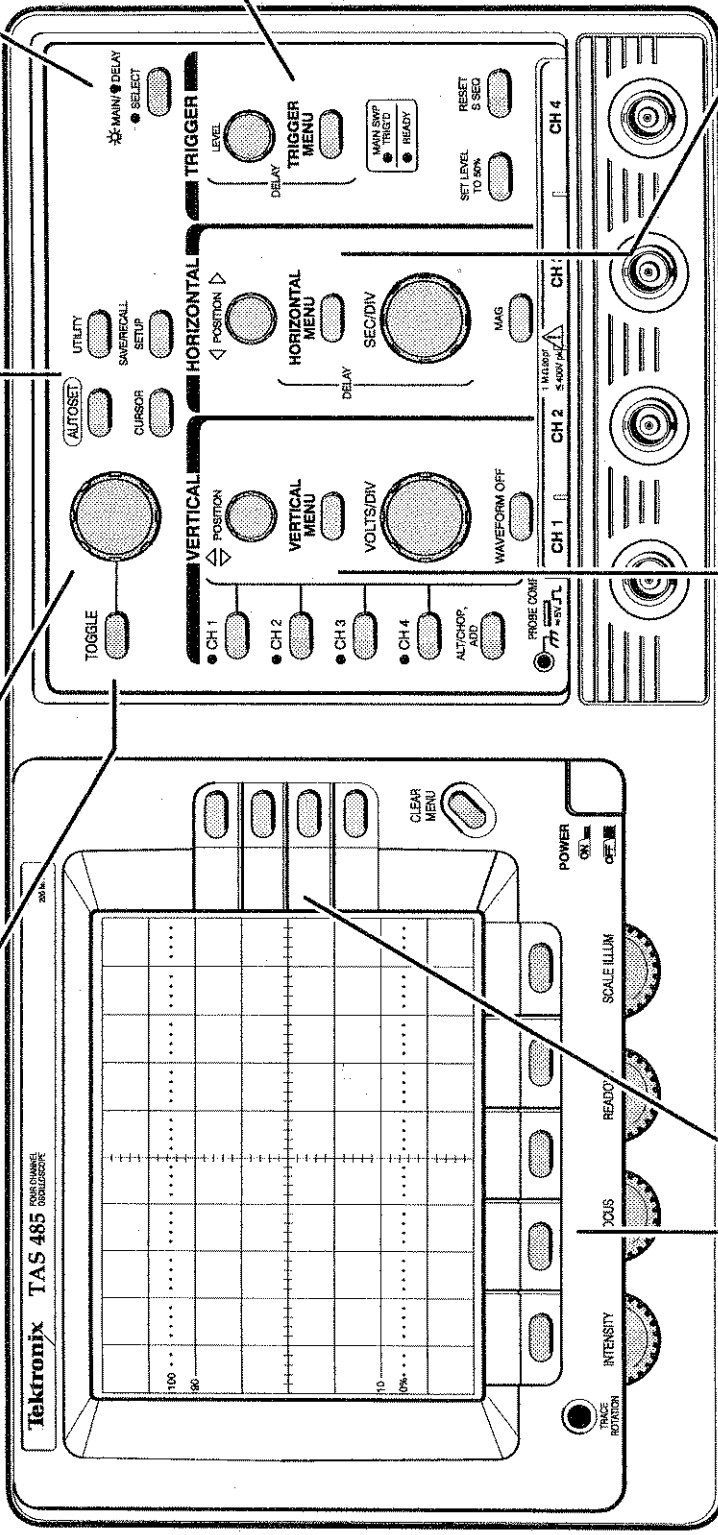
AUTOSET automatically adjusts instrument controls to obtain a usable display.

CURSOR turns measurement cursors on and displays the menu choices for the cursor modes.

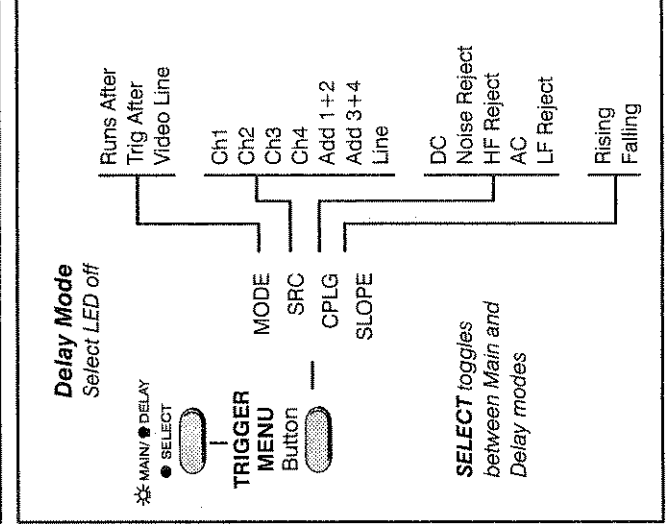
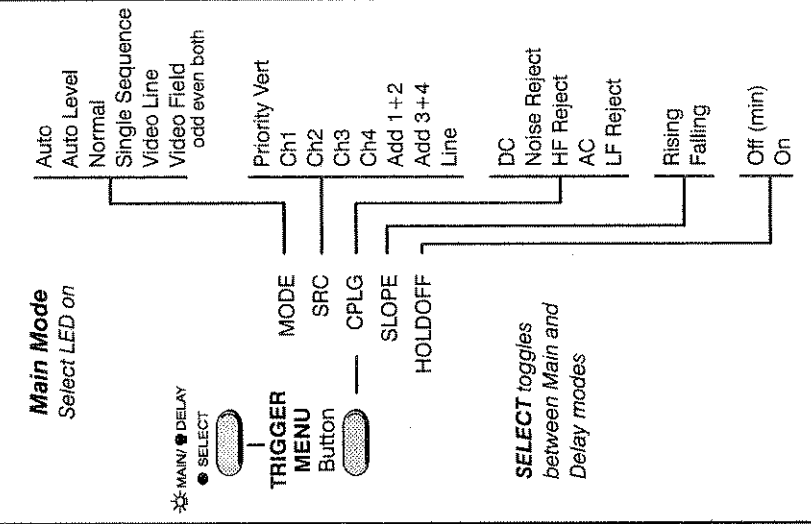
Selecting Sweeps

MAIN/DELAY SELECT assigns horizontal, trigger, and cursor functions to either the main or delayed sweep.

SAVE/RECALL SETUP displays the menus for saving and recalling front-panel setups.



Refer to the Instruction manual for actual Utility submenus



Using the Horizontal System

POSITION moves the sweeps horizontally.

HORIZONTAL MENU displays the menu choices for the horizontal operating system.

SEC/DIV adjusts the horizontal deflection factor.

MAG horizontally magnifies the sweeps by a factor of ten.

Using the Vertical System

POSITION moves the vertical position of the sweep.

VERTICAL MENU displays the menu choices or the vertical operating system.

VOLTS/DIV adjusts the vertical deflection factor.

WAVEFORM OFF clears the selected channel's waveform from the display until only one waveform remains.

Using the Menus

Front-panel menu buttons display menu choices on the CRT.

Select instrument functions with the corresponding menu button below the CRT.

Select the operation for a selected function using the corresponding menu button to the right of the CRT.

Selections are underscored.

Menu Map