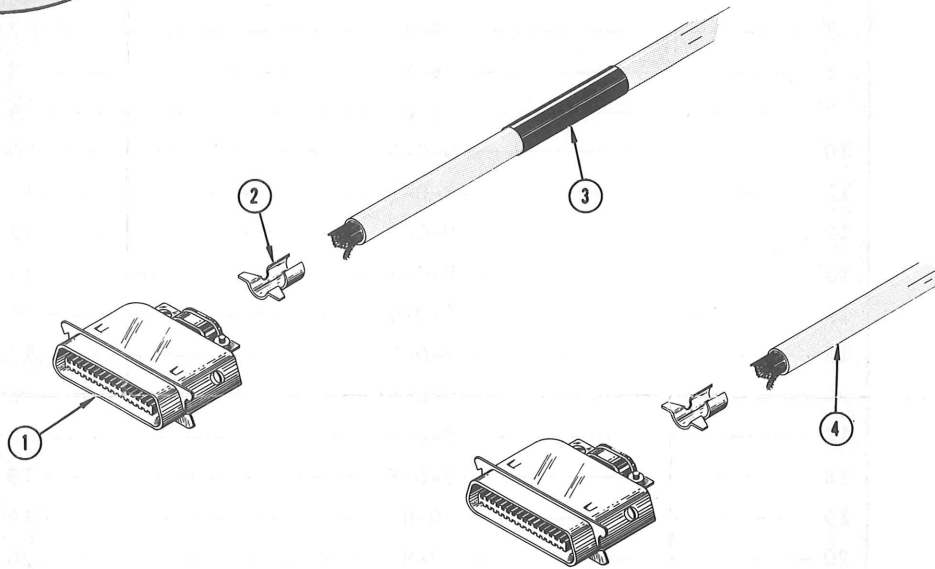
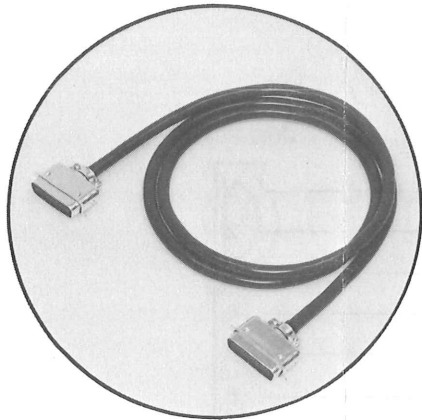


# CABLE, INTERCONNECTING (Part No. 012-0131-00)



REF. NO.	PART NO.	SERIAL/MODEL NO.		QTY.	DESCRIPTION
		EFF.	DISC.		
1	131-0293-06			2	CONNECTOR, 36 pin, male, keyed
2	343-0087-00			2	CLAMP, cable
3	334-1262-00			1	SLEEVE, marker, cable
4	175-0497-00			ft	CABLE, special purpose, electrical, 6 feet
	334-1276-00			1	LABEL SET, 3 per (not shown)

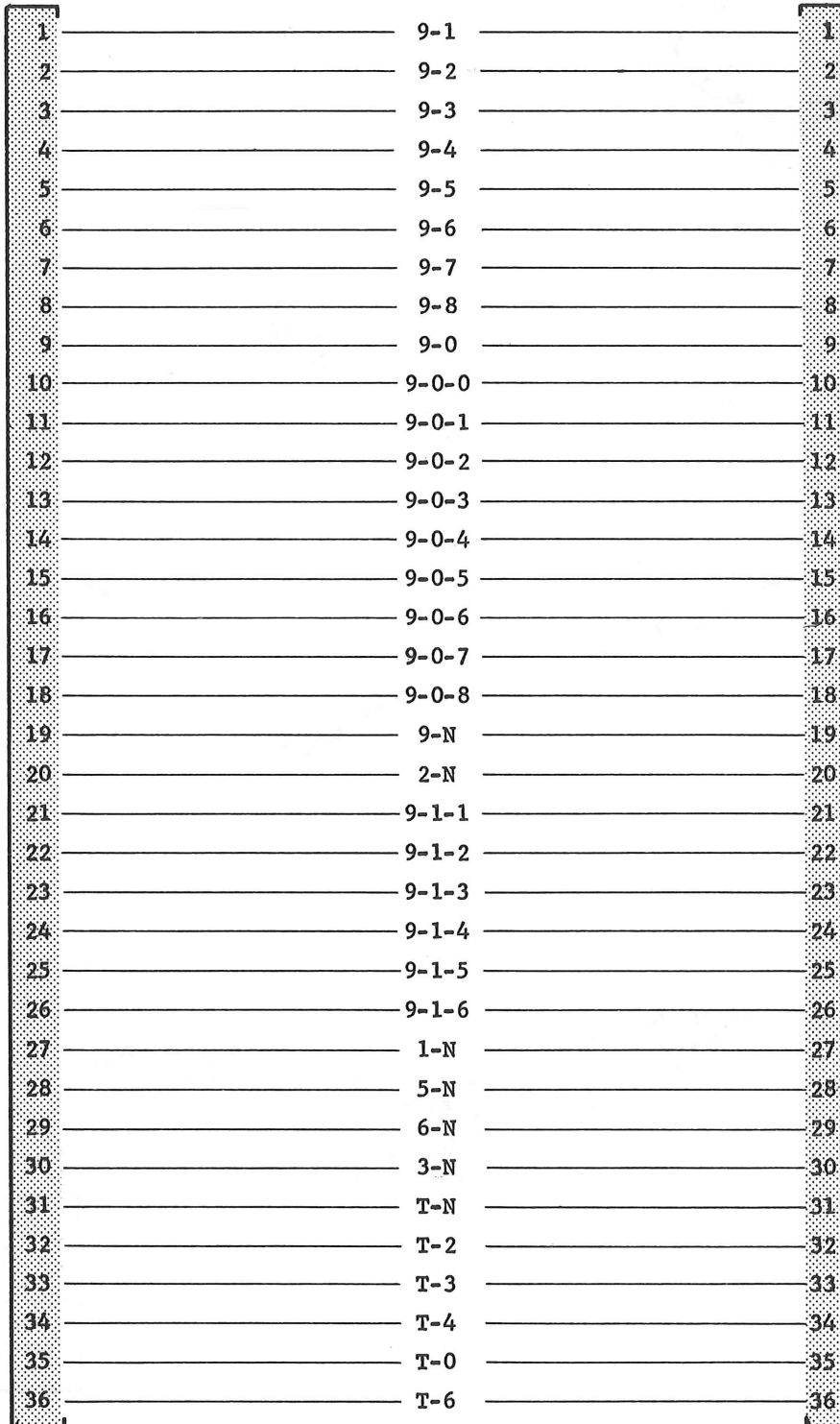
<b>DATA SHEET</b>	
NO.	062-0947-00
DATE	JUNE 1968
COPYRIGHT © 1968 TEKTRONIX INC. ALL RIGHTS RESERVED	

# CABLE, INTERCONNECTING (Part No. 012-0131-00)

## WIRING DIAGRAM

131-0293-06  
CONNECTOR

131-0293-06  
CONNECTOR



SHIELD GND TO COVER