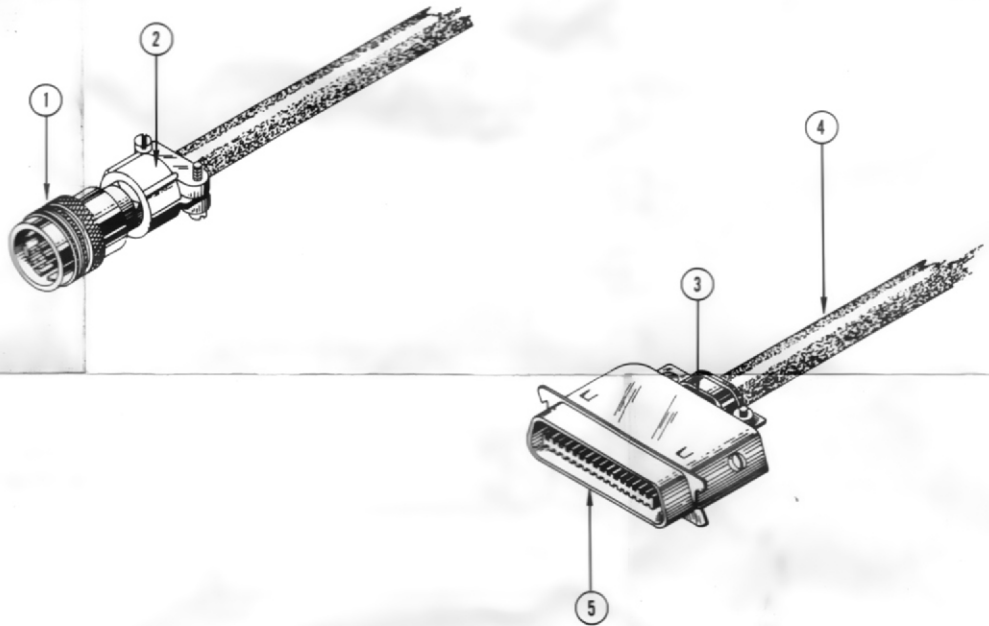
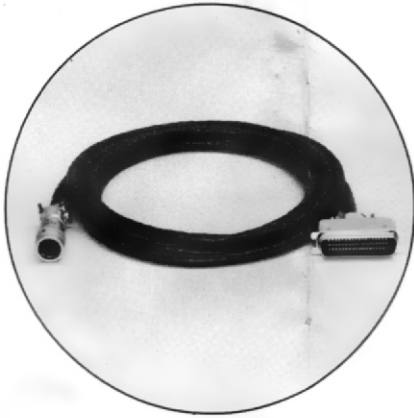


CABLE, REMOTE PROGRAMMING (Part No. 012-0101-00)



—SEE REVERSE SIDE FOR ELECTRICAL SCHEMATIC—

REF. NO.	PART NO.	SERIAL/MODEL NO.		QTY.	DESCRIPTION
		EFF.	DISC.		
1	131-0388-00			1	CONNECTOR, 19 contact, male
2	200-0635-00			1	COVER, strain relief, w/hardware
3	348-0004-00			1	GROMMET, rubber, 3/8 inch
4	175-0338-00			FT	CABLE, 16 cond. and 2 shielded, w/vinyl jacket, 10 feet
5	131-0293-00			1	CONNECTOR, 36 pin, male

DATA SHEET NO.
062-0512-00
November 1965
(Revised)

Copyright © 1965,
Tektronix, Inc.
All Rights Reserved.

CABLE, REMOTE PROGRAMMING (Part No. 012-0101-00)

