

Instructions

1200C11 Parallel Printer COMM Pack

DESCRIPTION

The 1200C11 Parallel Printer COMM pack allows a 1240/1241 Logic Analyzer, or a 2510 Multi-channel Analyzer, to output data to a parallel printer.

If your instrument is of the 1240/1241 Logic Analyzer series, refer to the *1200C02 COMM Pack Operator's manual* (part number 070-4344-00). You should have received this manual with your COMM pack.

The 1200C11 cannot be used by itself with a 1240/1241 Logic Analyzer. A 12RC01 Printer Support ROM Pack, or one of the 12RMXX Mnemonics ROM Packs, must also be installed. When the 1200C11 is installed with a 12RC01 Printer Support ROM Pack, you can output menu setups, state table displays, or timing diagrams to a printer. When the 1200C11 is installed with a 12RMXX ROM Pack, only state table displays can be printed. Refer to the ROM pack instructions for complete operating information.

If your instrument is a 2510 Multi-channel Analyzer refer to the GPIB section of the *2510S1 Mainframe User's manual*. The 2510 Multi-channel Analyzer does not require an additional ROM pack or optional software. The printer driver is included with the instrument.

INSTALLATION

CAUTION

Do not install or remove a COMM pack while dc power is on; the COMM pack may be damaged.

COMM packs are installed at the rear panel of the 1240/1241 Logic Analyzer; see Figure 1. With **power off**, slide the pack past the hinged cover, label to the right as you face the back panel. The COMM pack connector is located about four inches past the hinged cover. You can anchor the pack firmly to the logic analyzer by snapping the handle over the two small retaining spurs to the left of the slot.

On the 2510 Multi-channel Analyzer, insert the Parallel Printer COMM pack into the port marked **1200CXX COMM PACK PORT**, on the rear panel of the instrument. See Figure 2.

The connector on the back of the 1200C11 is a standard, parallel, 25-pin, female connector. Connect this to the printer cable's 25-pin male connector. Tighten the strain-relief screws to keep the cable from slipping out of the COMM pack.

To remove the 1200C11, first turn dc power off, then pull on the handle on the back of the pack. The interface cable can remain connected to the COMM pack during installation or removal.

CAUTION

To avoid damaging the COMM pack or the connector cable, do not remove the pack by pulling on the cable; always use the handle.

A 2-meter cable for connecting the 1200C11 to your printer is available as an optional accessory, part no. 012-0997-00.

PARALLEL PRINTER COMM PACK

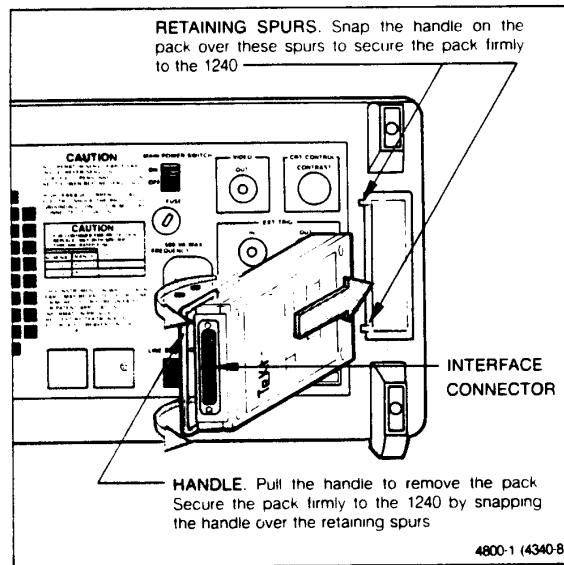


Figure 1. Installing a 1200C11 Parallel Printer COMM Pack into a 1240/1241 Series Logic Analyzer.
Do not install or remove a COMM pack while dc power is on.

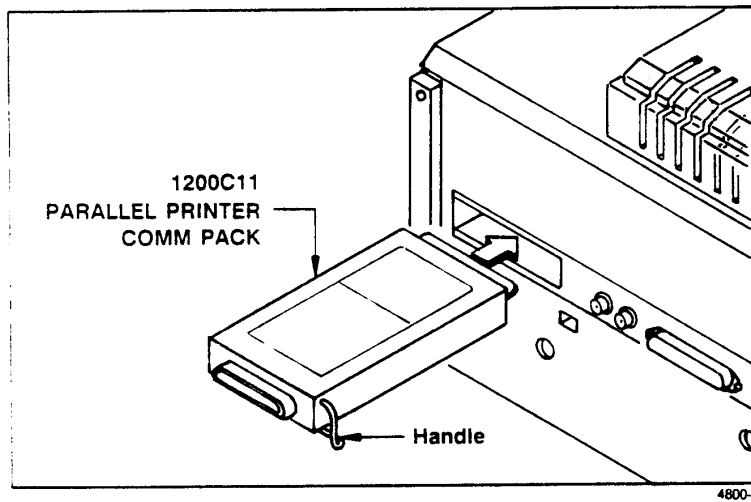


Figure 2. Installing a 1200C11 Parallel Printer COMM Pack into a 2510 Multi-channel Analyzer.
Do not install or remove a COMM pack while dc power is on.

SERVICE

Refer to the *1200C11 Addendum to the 1240 Service Manual*.