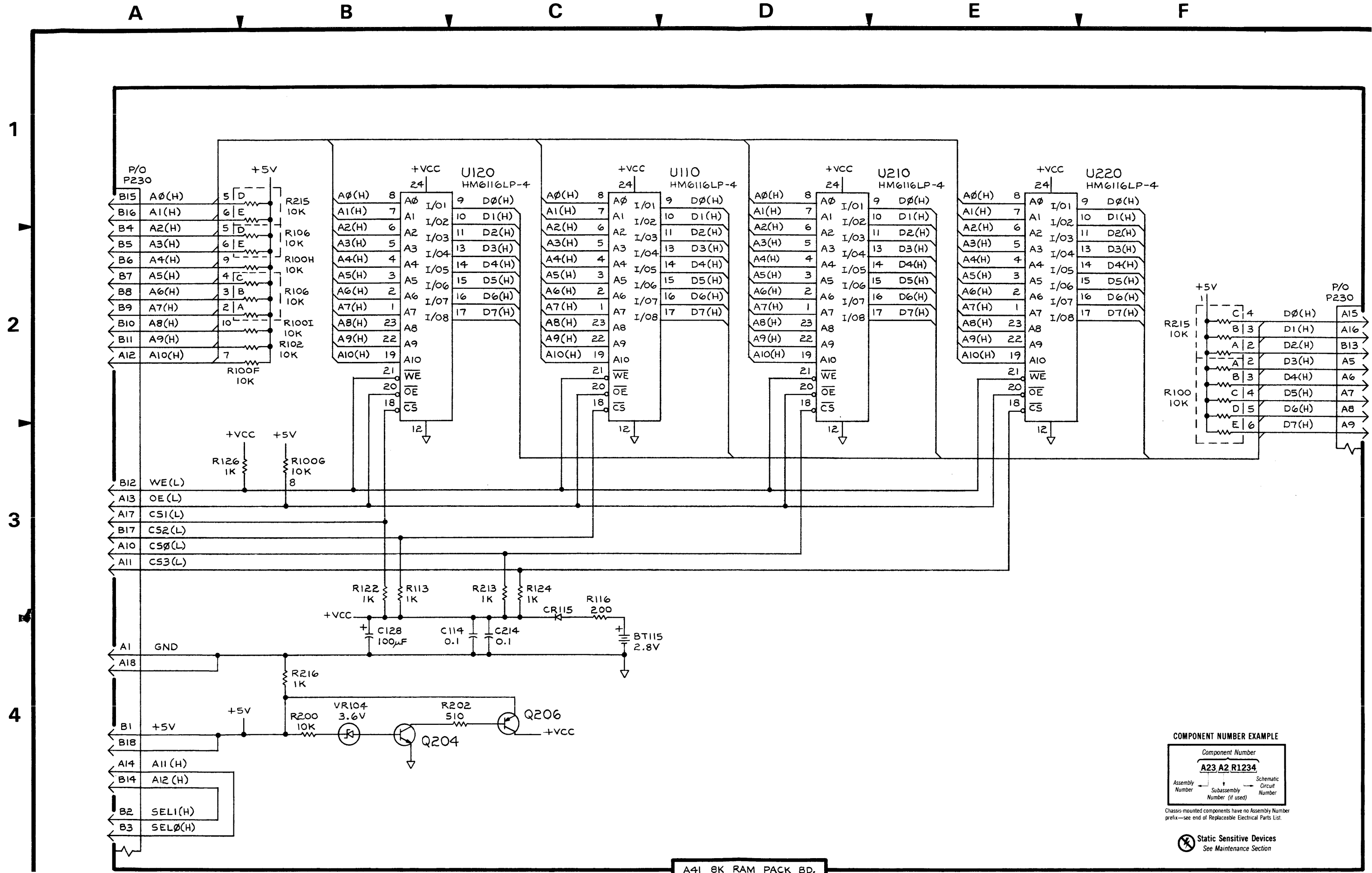
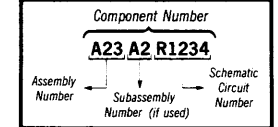


Figure 10-23. A41 8K RAM Pack Component Locations.



A41 8K RAM PACK BD.

COMPONENT NUMBER EXAMPLE



Chassis-mounted components have no Assembly Number prefix—see end of Replaceable Electrical Parts List.

Static Sensitive Devices
See Maintenance Section

A41 8K RAM PACK

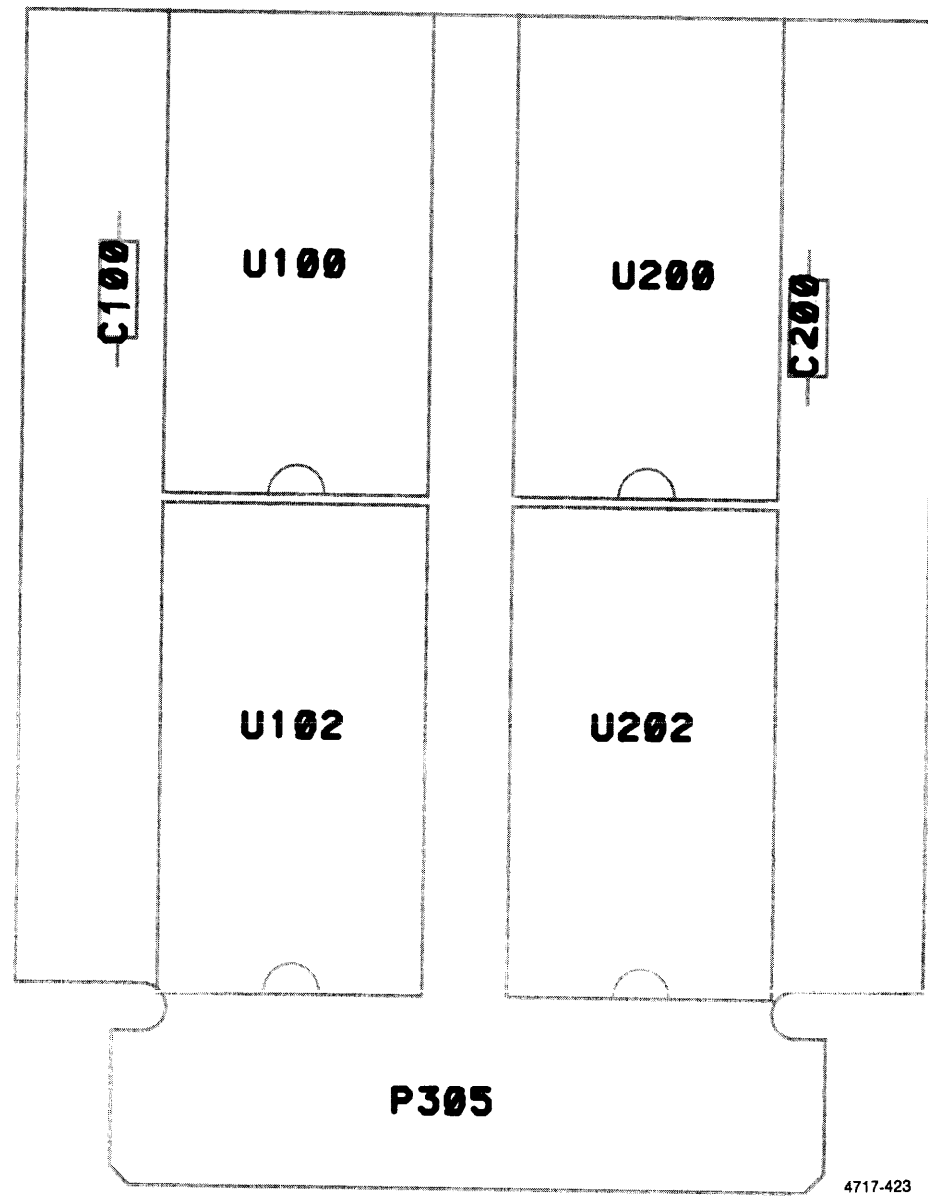
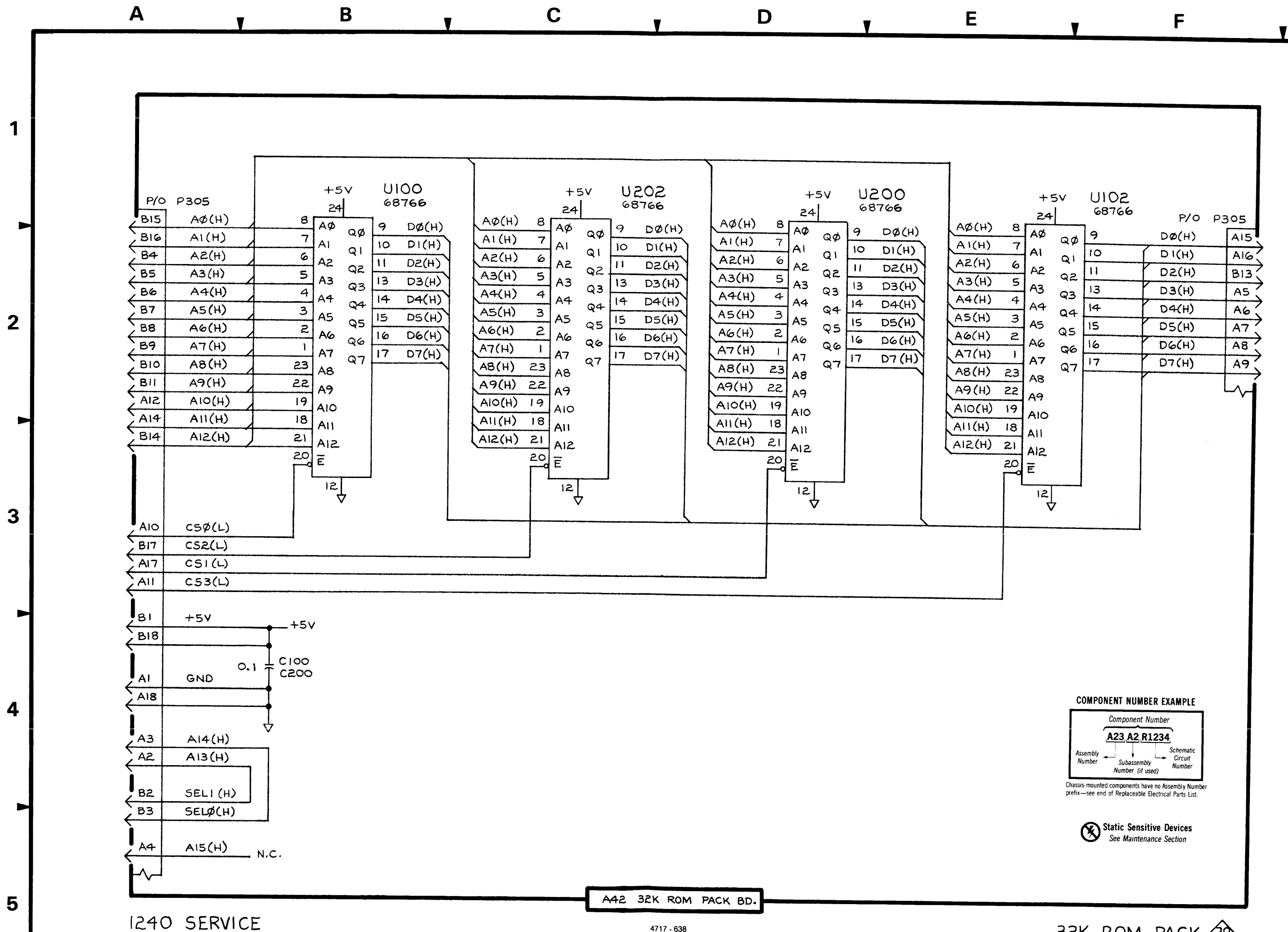


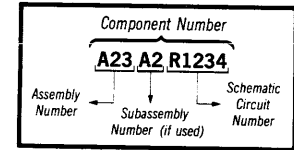
Figure 10-24. A42 32K EPROM Pack Component Locations. This board is used for the empty and blank 32K EPROM packs (12RS11, 12RS12).



A42 32K EPROM PACK

38

COMPONENT NUMBER EXAMPLE



Chassis-mounted components have no Assembly Number prefix—see end of Replaceable Electrical Parts List.

Static Sensitive Devices
See Maintenance Section

A42 32K ROM PACK BD.

1240 SERVICE

4717 - 638

32K ROM PACK

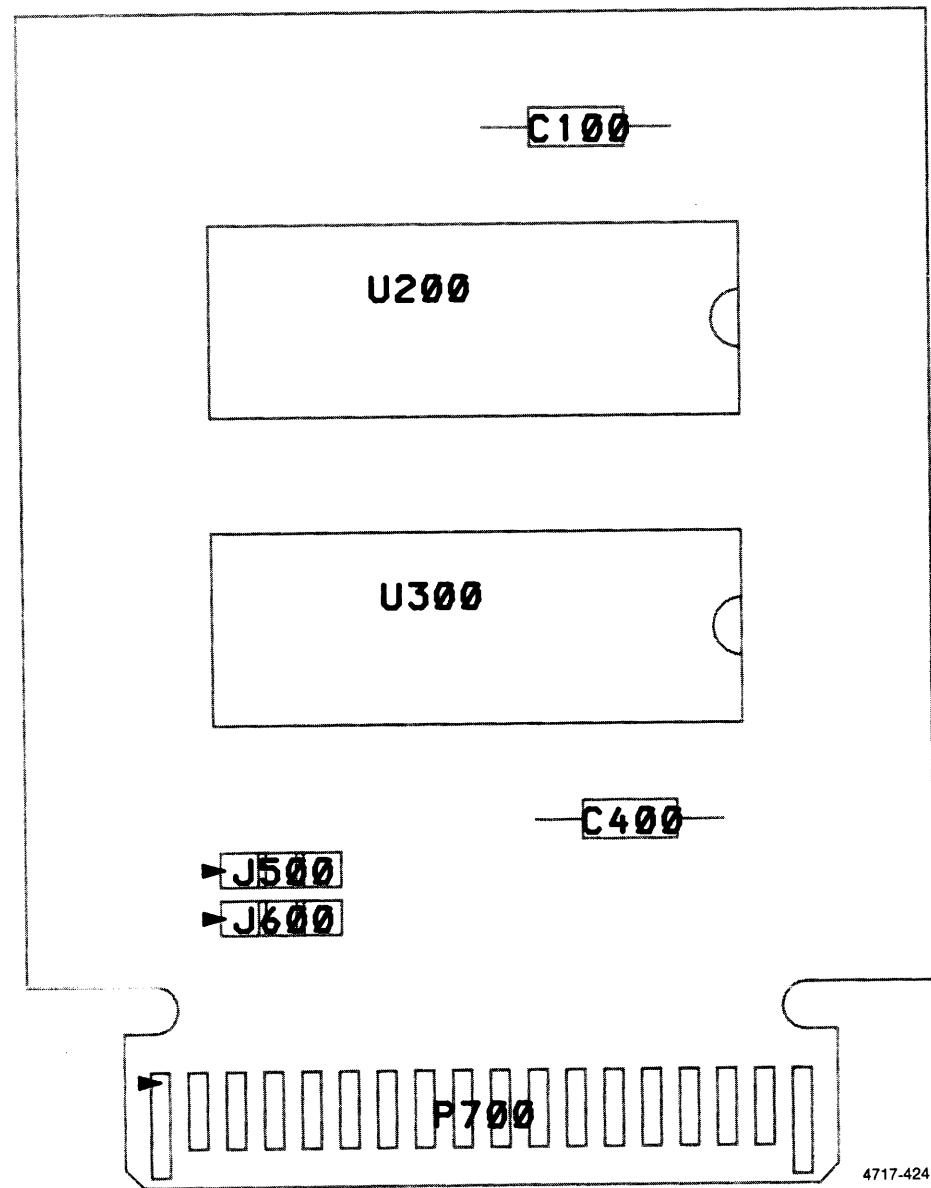
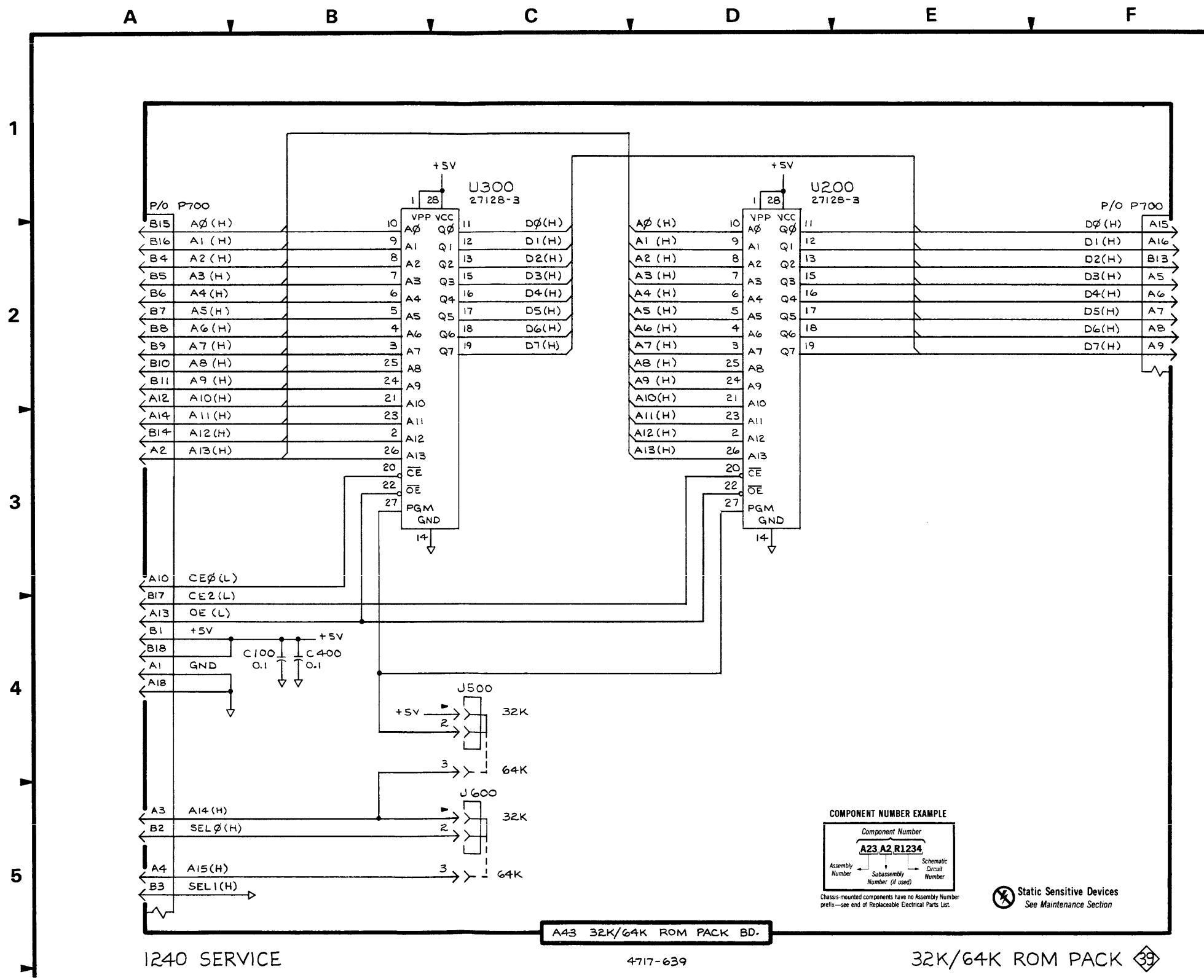


Figure 10-25. A43 32K/64K ROM Pack Component Locations. This board is used for all Tektronix-programmed ROM packs.



COMPONENT NUMBER EXAMPLE

Component Number		
A23 A2 R1234		
Assembly Number	Subassembly Number (if used)	Schematic Circuit Number

Chassis-mounted components have no Assembly Number prefix—see end of Replaceable Electrical Parts List.

Static Sensitive Devices
See Maintenance Section

1240 SERVICE

4717-639

32K/64K ROM PACK