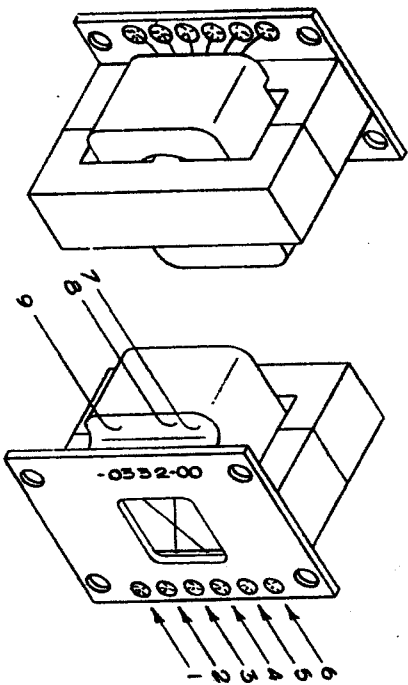


*Check A. Provided. Chris.*



PART NO. 120-0332-00 REV. C

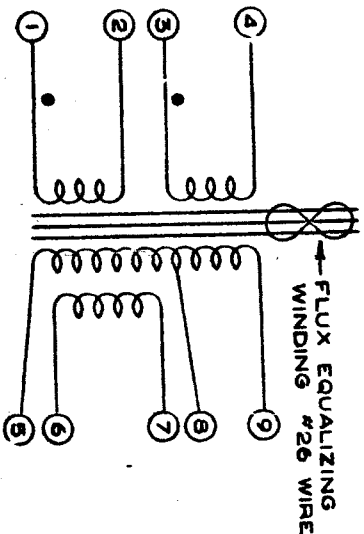
UNCL. NO.	120-0332-00	REV.	C
REV.	BY	DATE	DESCRIPTION OF CHANGE
A	SR153	Aug 6 7 1/6-65Z	
B	DRZ		ALL PART NOS. CHANGED FROM 6 T 9 DIGITS. XXX-0XXX-00 ("X" INDICATES OLD NOS.)
C	CB		CLASSIC ADDED CS
		4-24-67	
		25 OCT 75	

*647 scope*

- NOTES
1. LEADS DRESS UP FROM TERM. 1 TO 6.
  2. COIL IS ENCAPSULATED WITH EPOXY RESIN.

PRIMARY		40 KC		SECONDARY	
TERM	VOLTS	TERM	VOLTS	TERM	CURRENT
1-2	10	5-8	1850	100	$\mu$ A
3-4	5	5-9	2800	200	$\mu$ A
		6-7	1625	50	$\mu$ A

ALL VOLTAGE & CURRENT RATINGS ARE NOMINAL & VARY WITH LOAD & B SUPPLY VOLTAGE.



WINDING DATA

PRIMARY: HAND WOUND  
 PRI #1 1-2: 4T #25  
 PRI #2 3-4: 2T #28

SECONDARY: 2 #38 BIFILAR 5/8" CAM  
 SEC #1 5-8-9:  $\phi$ -587-1070T #38  
 SEC #2 6-7:  $\phi$ -612T #38

TERM	LEAD	LENGTH MIN.	NOTE
1	NONE		PRI 1 START
2	NONE		PRI 1 FINISH
3	NONE		PRI 2 START
4	NONE		PRI 2 FINISH
5	BARE	1 1/2"	SEC 1 START
6	BARE	1 5/8"	SEC 2 START
7	BARE	1 1/4"	SEC 1 TAP
8	BARE		SEC 1 FINISH
9	BARE		SEC 2 FINISH

BARE WIRE IS #24 (176-0055-00)

- MATERIAL
- WIRE 175-0566-00 (#38)
  - 176-0031-01 (#25)
  - 176-0032-01 (#26)
  - FORM 166-0011-00
  - TAPE 253-0013-00
  - 253-0019-00
  - BOARD 392-0157-00
  - 276-0544-00
  - CORE 276-0545-00
  - EPOXY 252-0089-00

TELETYPE, INC.

MADE IN U.S.A.

POSTAGE PAID

ORDER NO. 120-0332-00

DATE 12-24-67

PRINTED IN U.S.A.

AS LISTED

AS NOTED

647

120-0332-00

C

5

12-24-67

12-24-67