

DESCRIPTION

This is a variation of the Quad-Op-Amp chip (155-0035-00/155-0116-00) connection is such a fashion that Amplifiers "A" and "B" are operative as amplifiers, while "C" and "D" pin-outs are arranged in such a fashion as to become a constant current source rather than operating as amplifiers. The magnitude of constant current available is approximately four times the bias current as measured at Pin 11 when the output is taken from Pins 8, 9, 10, 12, 13, and 14 all connected together.

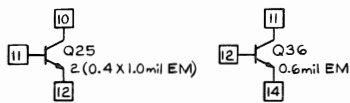
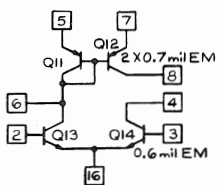
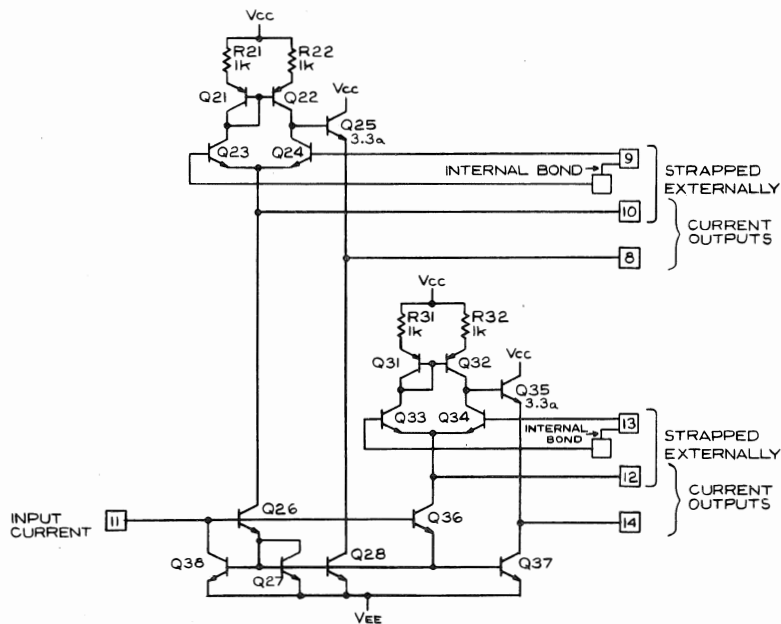
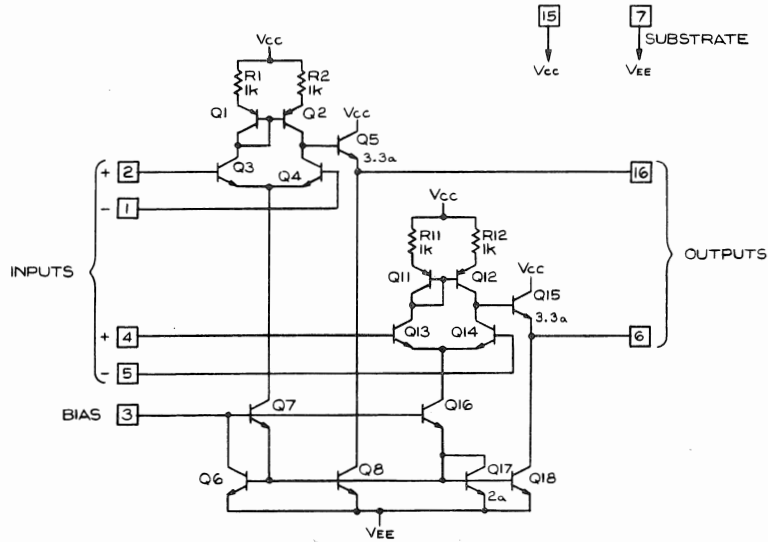
PROCESS 200 Ω /Sq

POWER SUPPLY. V_{CC} : +5 to +15
 V_{EE} : -5 to -15

PACKAGE Minipac

DESIGNER Dave Allen

INSTRUMENT USAGE 211



TEST ROW

ENGR	<i>AM. H. MURPHY</i>	6-10-76	PROCESS	200A/D
DWN BY	J. Langley	4-5-76	PACKAGE	16 PIN MINIPAC
CHK BY	<i>Blade Boyer</i>	7-13-76	DIE SIZE	40mil X 40mil
TYPE	MONOLITHIC		2 OP AMPS/ 2 CURRENT SOURCES	M053B
INTEGRATED CIRCUIT ENG/MFG TEKTRONIX, INC. BEAVERTON, OREGON, U.S.A.		PART NO. 155-0057-00		