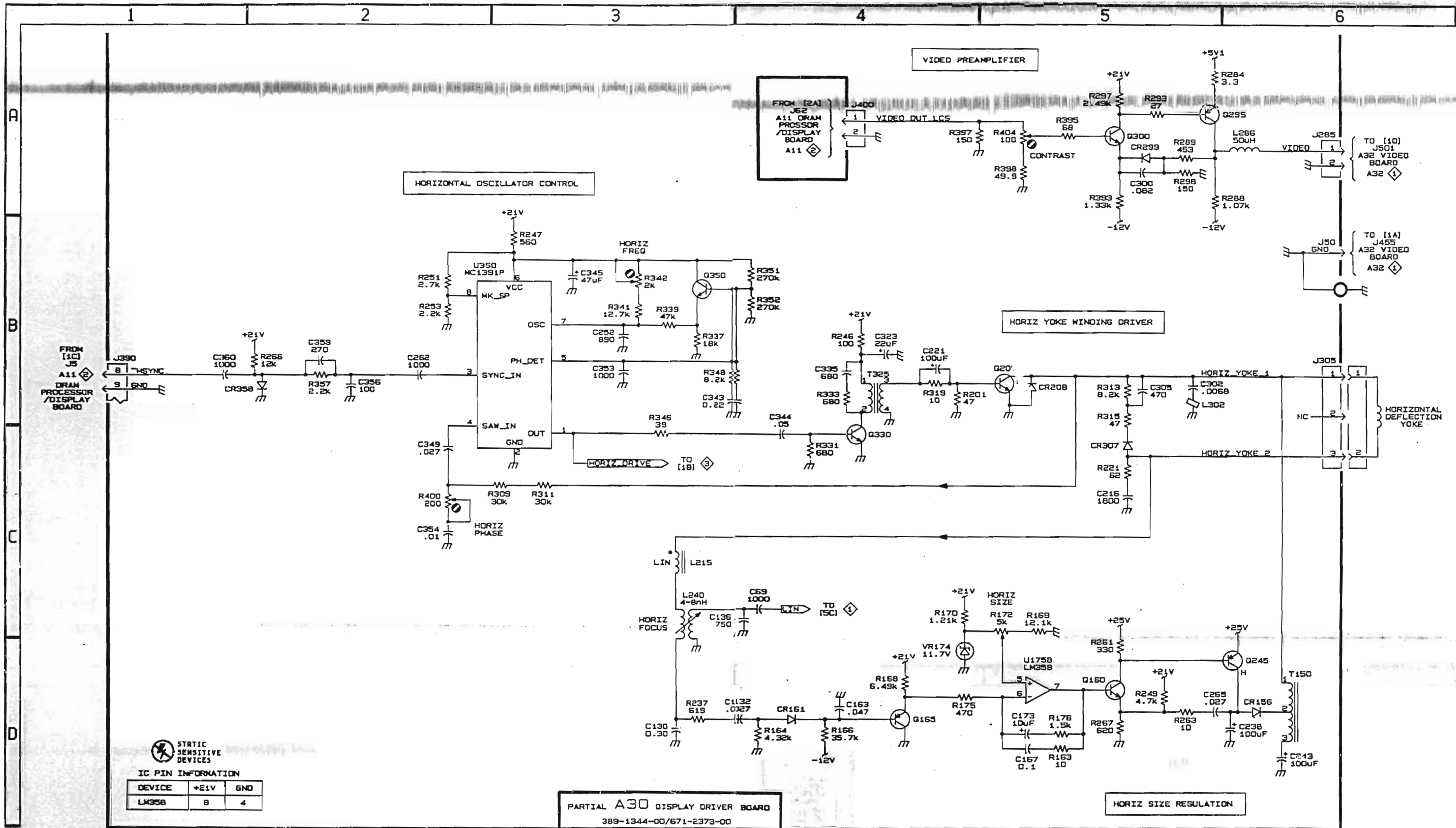


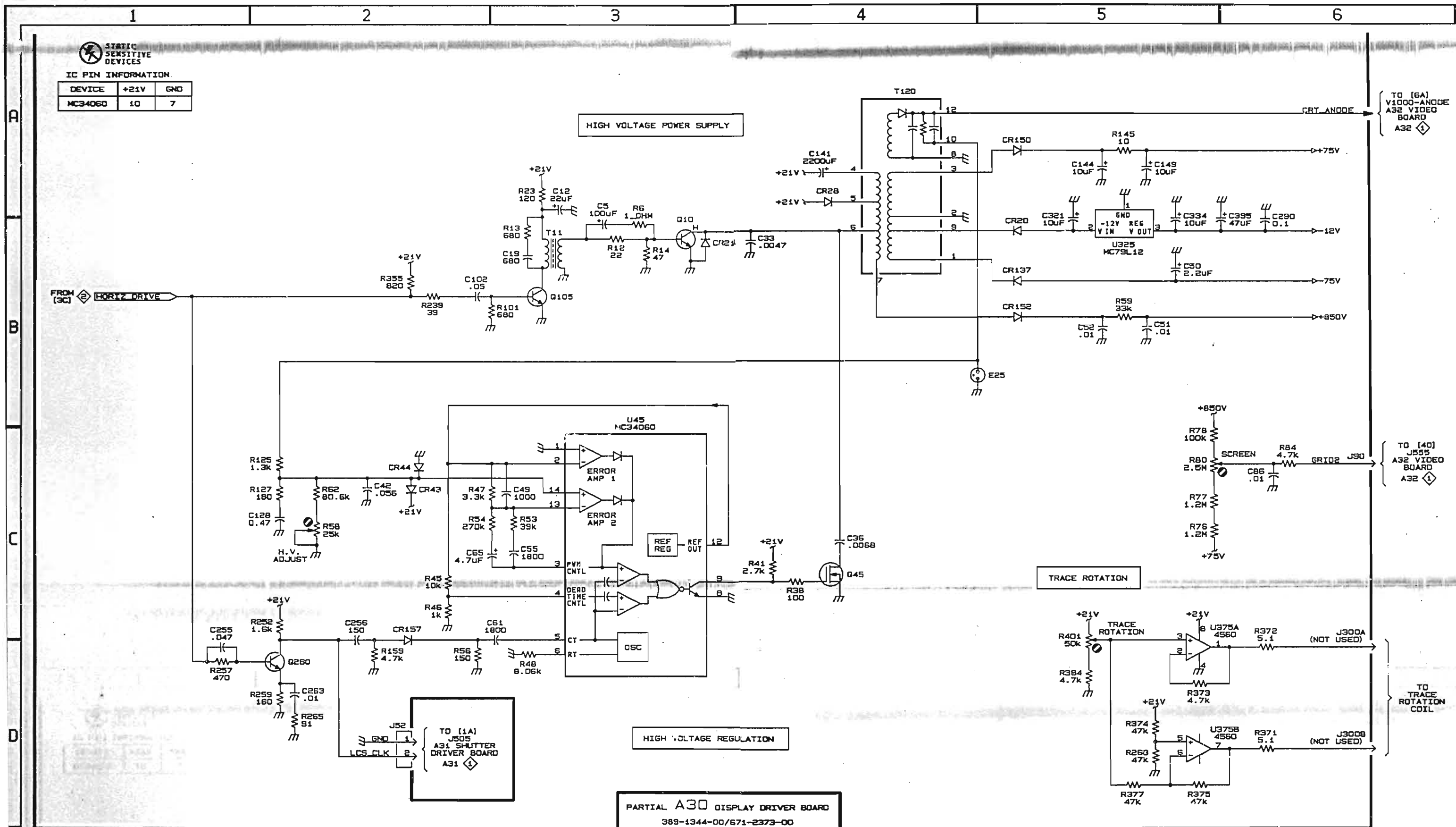
TDS 544A

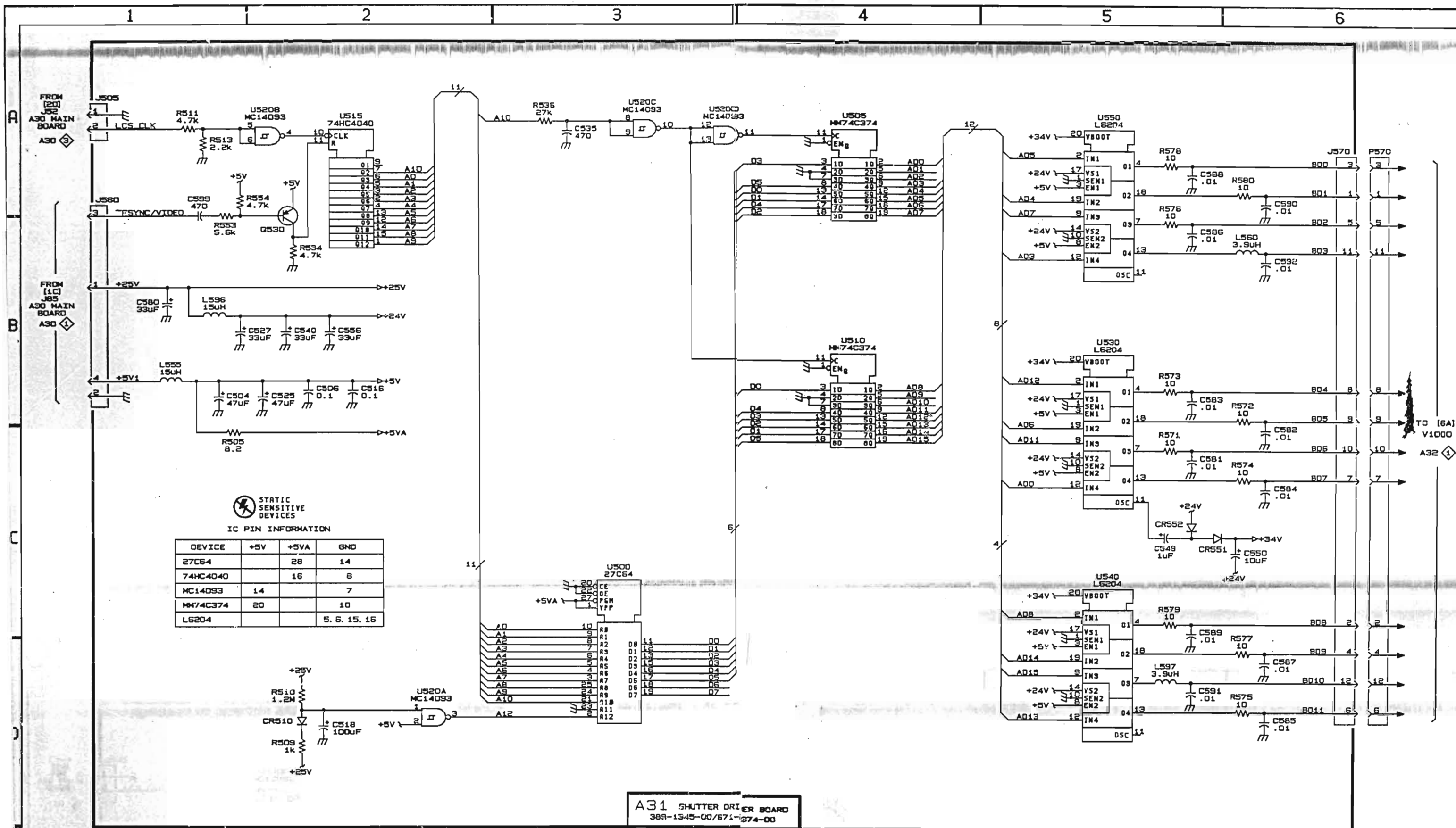
DISPLAY DRIVER BOARD BLOCK DIAGRAM A30 1



TDS 544A

HORIZ YOKE WINDING DRIVER A30





STATIC SENSITIVE DEVICES

IC PIN INFORMATION

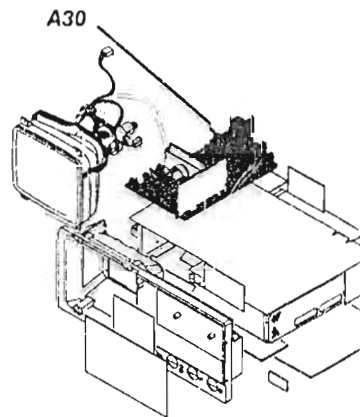
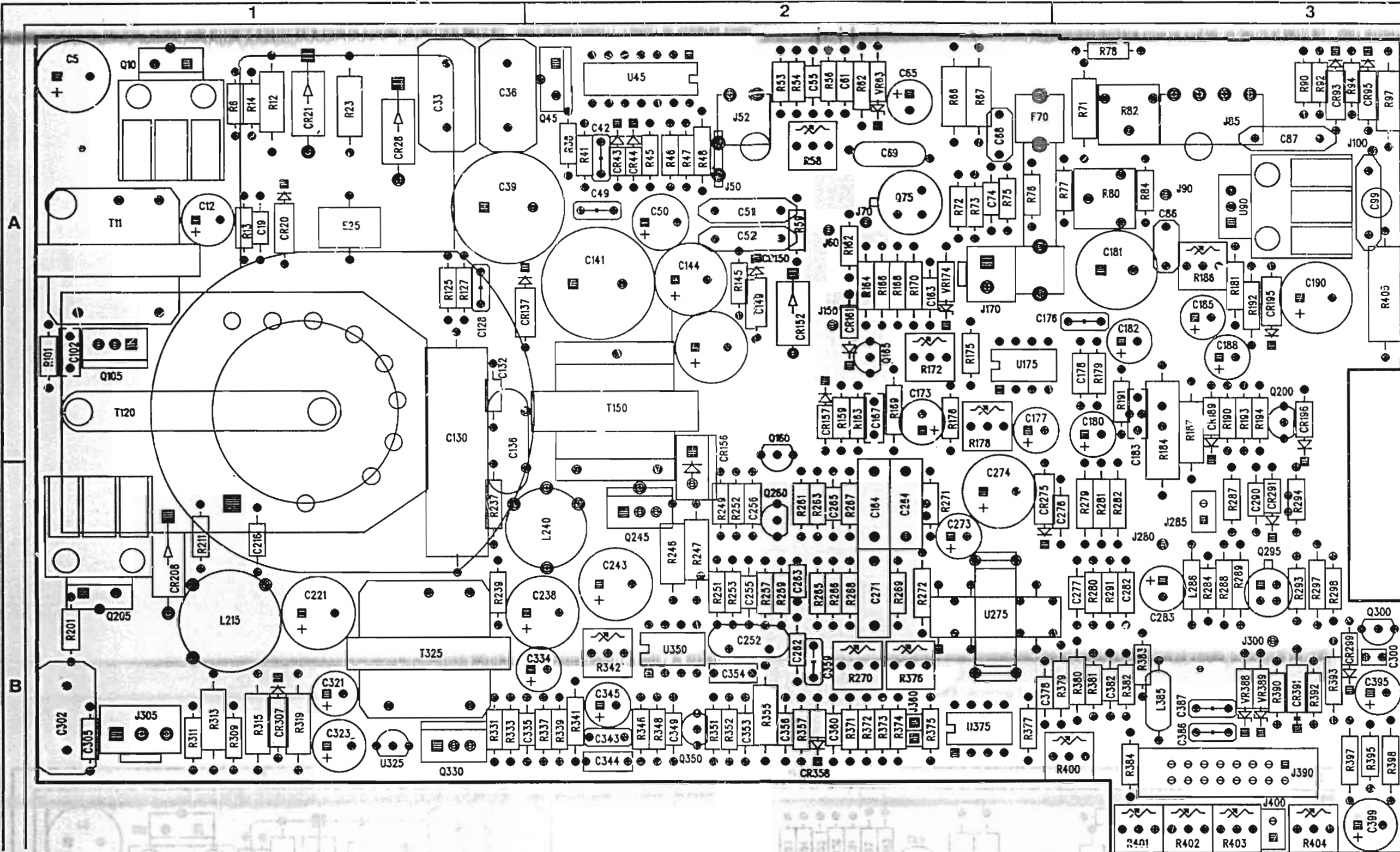
DEVICE	+5V	+5VA	GND
27C64		28	14
74HC4040		16	8
MC14093	14		7
MM74C374	20		10
L6204			5, 6, 15, 16

A31 SHUTTER DRIVER BOARD
389-1345-00/674-00

REV. JAN 15, 1993

TDS 544A

SHUTTER DRIVER A31



671-2373-00
389-1344-00

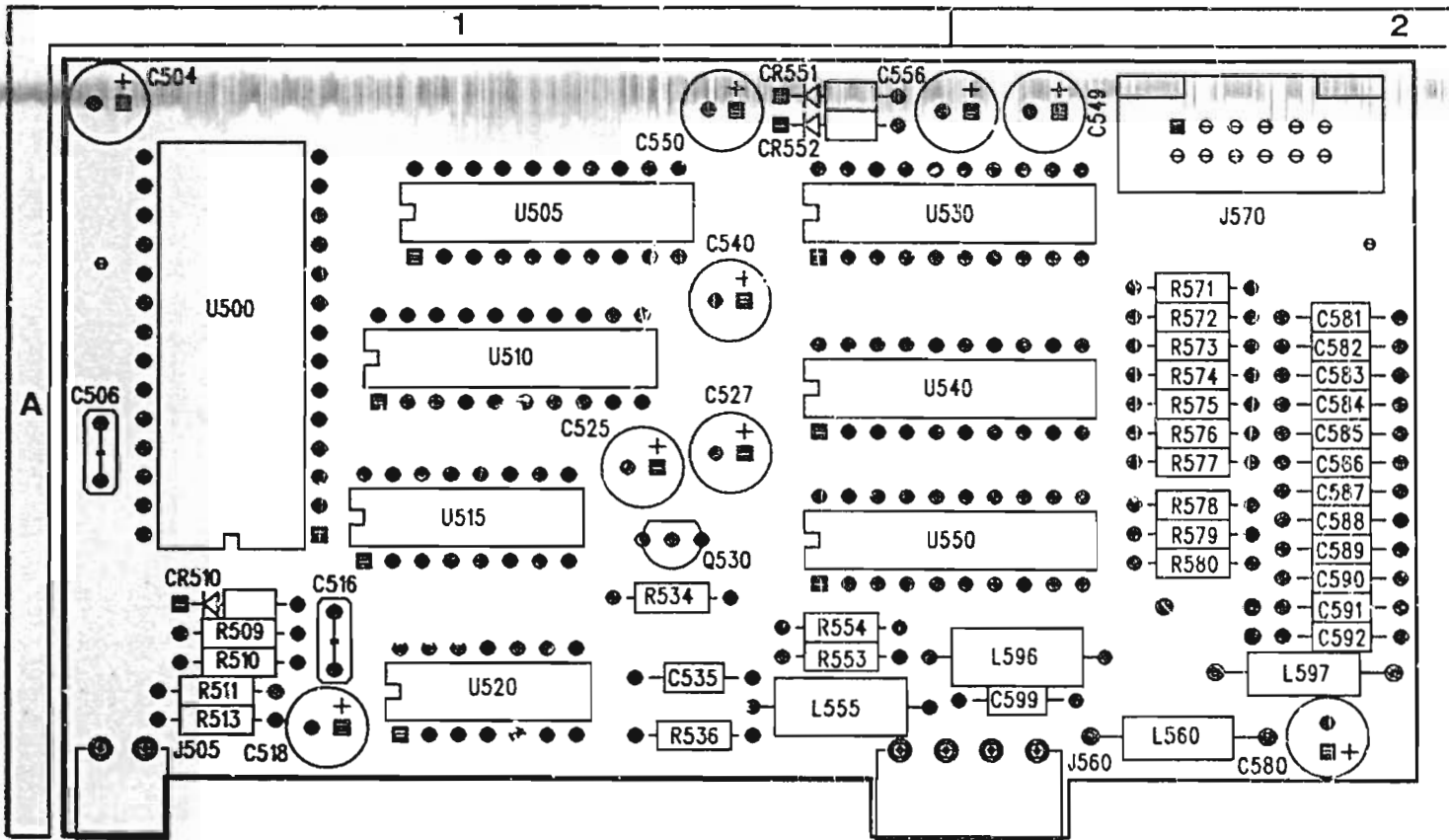
COMPONENT NUMBER EXAMPLE

Component Number		
A23	A2	R1234
Assembly Number	Subassembly Number (if used)	Circuit Number

Chassis-mounted components have no Assembly Number prefix—see end of Replaceable Electrical Parts List.

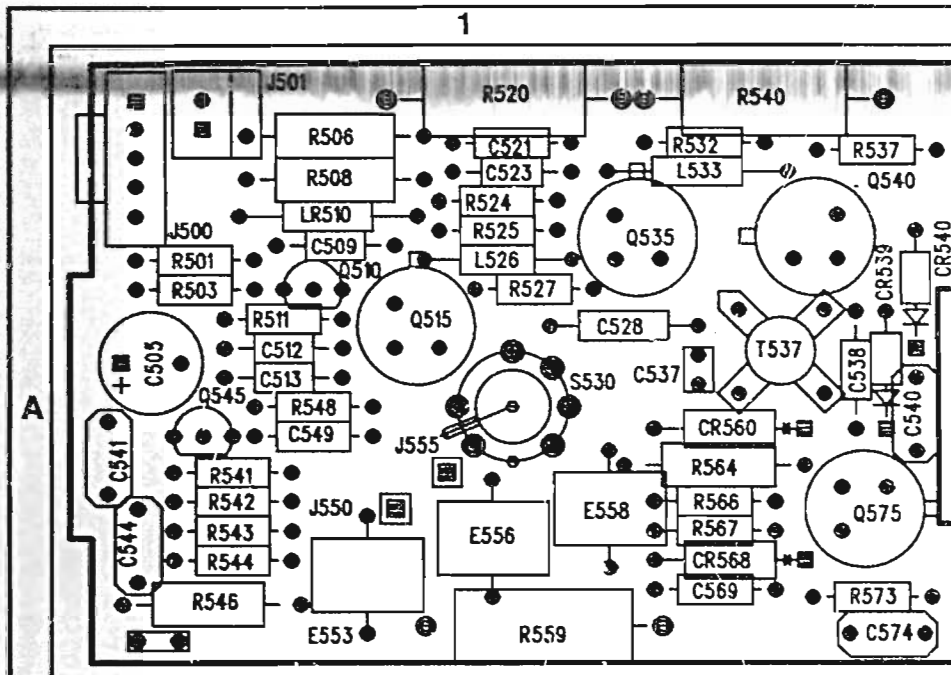
STATIC SENSITIVE DEVICES

Vol. 2 Figure 9-161: A30 Display Driver



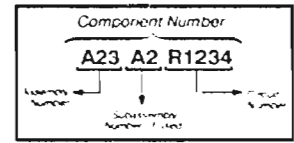
A31 Shutter Driver Component Locator

CIRCUIT NUMBER	SCHEM NUMBER	SCHEM LOCATION	BOARD NUMBER	BOARD LOCATION	CIRCUIT NUMBER	SCHEM NUMBER	SCHEM LOCATION	BOARD NUMBER	BOARD LOCATION	CIRCUIT NUMBER	SCHEM NUMBER	SCHEM LOCATION
C504	A31-1	1B	A31	1A	C585	A31-1	6D	A31	2A	J560	A31-1	1B
C506	A31-1	2B	A31	1A	C586	A31-1	5B	A31	2A	J560	A31-1	1B
C516	A31-1	2B	A31	1A	C587	A31-1	6D	A31	2A	J560	A31-1	1B
C518	A31-1	2D	A31	1A	C588	A31-1	5A	A31	2A	J560	A31-1	1B
C525	A31-1	2B	A31	1A	C589	A31-1	5D	A31	2A	J570	A31-1	6A
C527	A31-1	1B	A31	1A	C590	A31-1	6A	A31	2A	J570	A31-1	6B
C535	A31-1	3A	A31	1A	C591	A31-1	5D	A31	2A	J570	A31-1	6D
C540	A31-1	2B	A31	1A	C592	A31-1	6B	A31	2A			
C549	A31-1	5C	A31	2B	C599	A31-1	1B	A31	2A	L555	A31-1	1B
C550	A31-1	6C	A31	1A						L560	A31-1	6B
C556	A31-1	2B	A31	1A	CR510	A31-1	2D	A31	1A	L596	A31-1	1B
C580	A31-1	1B	A31	2A	CR551	A31-1	5C	A31	1A	L597	A31-1	5D
C581	A31-1	5C	A31	2A	CR552	A31-1	5C	A31	1A			
C582	A31-1	6C	A31	2A						Q530	A31-1	2A
C583	A31-1	5B	A31	2A	J505	A31-1	1A	A31	1A			
C584	A31-1	6C	A31	2A								



671-2372-00
389-1343-00

COMPONENT NUMBER EXAMPLE



Always include component location, Assembly Number, and version of board when ordering parts.

 **STATIC SENSITIVE DEVICES**

A32 Video Amplifier Component Locator

CIRCUIT NUMBER	SCHEM NUMBER	SCHEM LOCATION	BOARD NUMBER	BOARD LOCATION	CIRCUIT NUMBER	SCHEM NUMBER	SCHEM LOCATION	BOARD NUMBER	BOARD LOCATION	CIRCUIT NUMBER	SCHEM NUMBER
C505	A32-1	4C	A32	1A	CR539	A32-1	3B	A32	1A	J501	A32-1
C509	A32-1	2D	A32	1A	CR540	A32-1	3B	A32	1A	J550	A32-1
C512	A32-1	2C	A32	1A	CR560	A32-1	3B	A32	1A	J555	A32-1
C513	A32-1	1C	A32	1A	CR568	A32-1	3B	A32	1A		
C521	A32-1	2B	A32	1A						L526	A32-1
C523	A32-1	2C	A32	1A	E553	A32-1	4D	A32	1A	L533	A32-1
C528	A32-1	4C	A32	1A	E556	A32-1	4D	A32	1A	LR510	A32-1
C537	A32-1	2B	A32	1A	E558	A32-1	4B	A32	1A		
C538	A32-1	3B	A32	1A							
C541	A32-1	4D	A32	1A	J500	A32-1	4C	A32	1A	Q515	A32-1
C544	A32-1	1A	A32	1A	J500	A32-1	4C	A32	1A	Q535	A32-1
C549	A32-1	4C	A32	1A	J500	A32-1	4C	A32	1A	Q540	A32-1
C569	A32-1	4C	A32	1A	J500	A32-1	4C	A32	1A	Q545	A32-1
					J500	A32-1	4D	A32	1A	Q575	A32-1