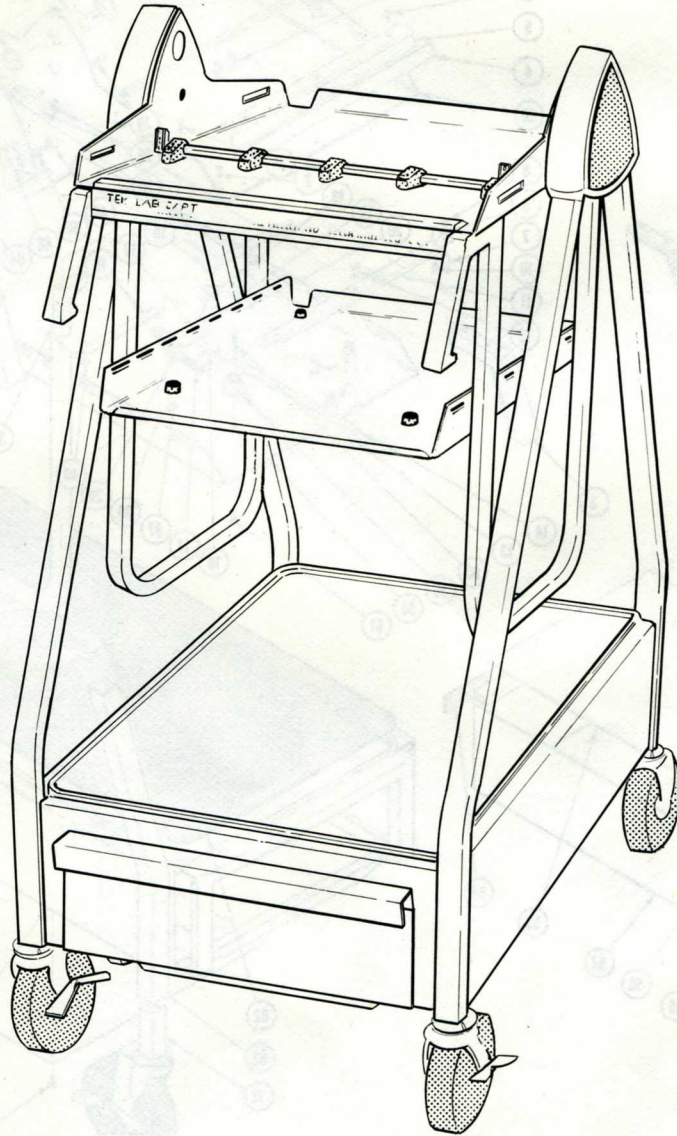


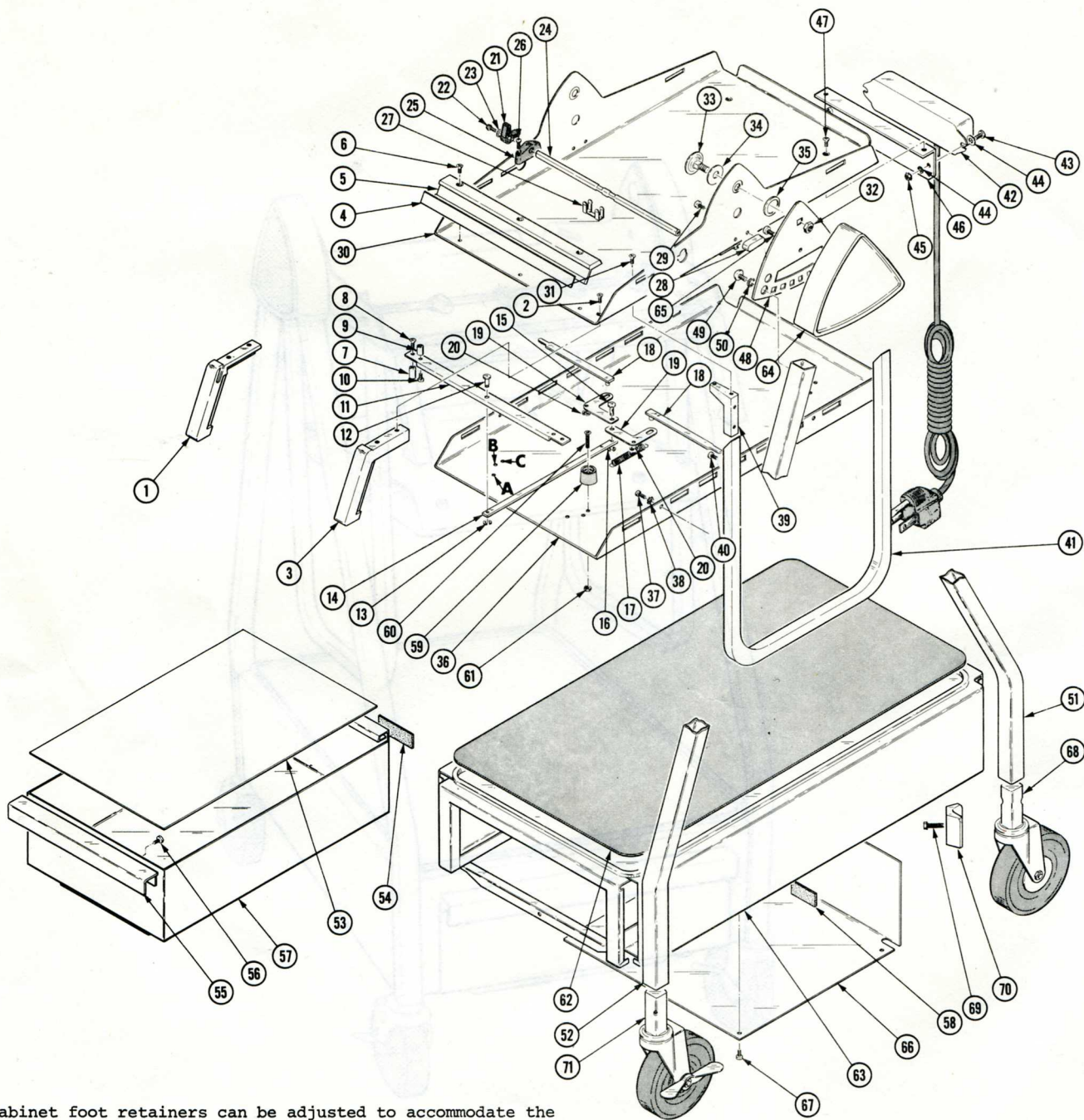
LAB CART, MODEL 3



NO. 062-2325-00
DATE MAY 1978 (R)

COPYRIGHT © 1976
TEKTRONIX INC.
ALL RIGHTS RESERVED

EXPLODED VIEW



The cabinet foot retainers can be adjusted to accommodate the following instruments--

- A. 453, 453A Series and 454, 454A Series
- B. 491
- C. 432, 434, 465, 466, 475 and 485

